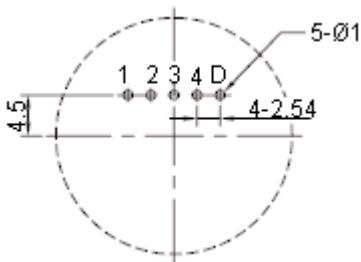
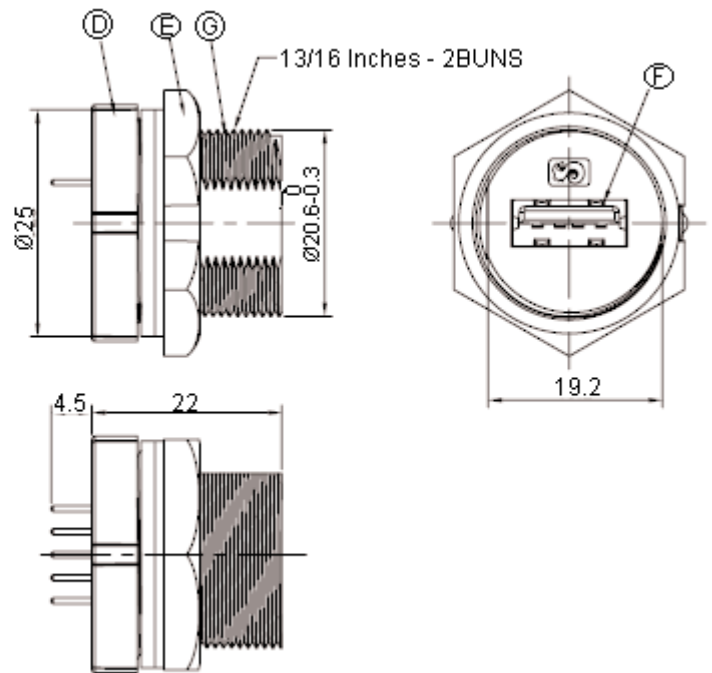
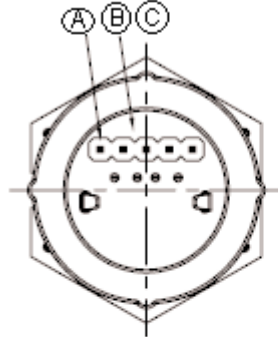


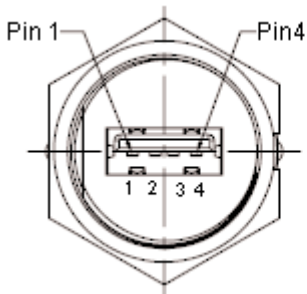
Waterproof USB 2.0 Jack



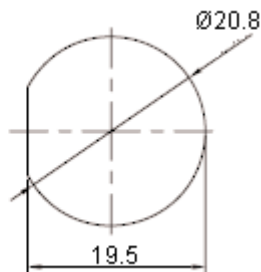
5 Pin Wafer PCB Layout



Dimensions : Millimetres



Pin Assignments
Front View



Recommended
Panel Cut-Out

Dimensions : Millimetres

Waterproof USB 2.0 Jack



Specifications:

Waterproof Rate : IP67
IP67 : Immersed in 1 m water for 30 minutes

Electrical Characteristics :

Rating : 30 V 1 A
Maximum Contact Resistance : 30 m Ω (Initial)
Dielectric Withstanding Voltage : 500 V ac for one minute
Minimum Insulation Resistance : 100 M Ω Measured by 500 V dc
Other general specifications to refer 2UB1518 series specifications
Maximum Insertion Force : 3.5 Kgf
Minimum Withdraw Force : 0.5 Kgf
To conform to singatron hazardous substance free specifications
For panel thickness maximum of 4 mm

Specification Table

Description	Material	Plating and Colour
Wafer	5 Pin 2.54 Pitch	Black
PCB	FR-4	Green
O-Ring	EPDM	Black
Sealing Nut	PPE	
Screw Nut		
USB A Jack	P / N:2UB1518-000111	N / A
Housing	PPE	Black

Part Number Table

Description	Part Number
USB Type A, Receptacle, IP67	2UB3001-W05100

