

Data sheet

Commercial Art.No.: 96.032.4553.1

Connector RST20I3S S1 ZR3 V SW

RST20i3 connector, 3 pole, male, screw connection, application 250V with PE, 20A, for cable diameters 14-18mm, coding color black, color of housing black



Commercial Art.No.	96.032.4553.1
EAN	4015573895072
Order Unit	1

Certificates / Approvals



LR RINA



Technical data

General

Rated current	20 A
Rated voltage	250 V
Rated impulse voltage	4 kV
strain relief	yes
Pollution degree	3
Lockable	self-locking (unlocking by tool)
Color of coding/ contact carrier	black
Marking of poles	L, N, PE
Color of housing inclusive strain relief	black

Connection Data

Cable diameter max.	18 mm
Cable diameter min.	13 mm
Connection cross section solid mm ² max.	6 mm ²
Connection cross section solid mm ² min.	0.75 mm ²
Connection cross section solid AWG min.	16 AWG
Connection cross section solid AWG max.	10 AWG
Connection cross section fine stranded mm ² max.	6 mm ²
Connection cross section fine stranded mm ² min.	0.75 mm ²
Terminations per pole	1
Connection cross section stranded mm ² min.	0.75 mm ²
Connection cross section stranded mm ² max.	6 mm ²
Connection cross section stranded AWG min.	16 AWG
Connection cross section stranded AWG max.	10 AWG
sheath strip length	37 mm
Wire strip length	8 mm

Model

Model	male
Connection type	screw connection
Degree of protection (IP)	IP66/68 (3m;2h) /IP69

Material

Housing material	Polyamide
halogen free	yes
Contact material	CuZn
Fire load	0.343 kWh
Insulation components continuous temperature	100 °C
Surface finish	Silver-plated

Dimensions

Length	93.7 mm
Width	35.4 mm
Height	35.4 mm

Classification

ECLASS 11	
ECLASS 8.1	27440605
ETIM 7.0	EC002560
ETIM 6.0	EC002560
ETIM 5.0	EC002560
ETIM 4.0	EC002560

Note

Note	RST® terminals with screw clamping allow the connection of conductors without special preparation (without ferrules) according to EN 60999-1.
------	---

Product compliance

ROHS conformity status	Compliant/Exempted
ROHS exceptions	III-6(c)
REACH-SVHC conformity status	Duty-To-Declare
REACH-SVHC substances	Lead
REACH-SVHC CAS numbers	7439-92-1

Accessories

Commercial Art.No.:	Article-type description:	Description:
05.564.4453.1	Cover for male connector SW	RST20i3/2 cover piece, for covering unused male connectors, color black
99.416.6205.2	Cover for male connector SW	RST20i3/2 cover piece, for covering unused male connectors, with fastening belt, color black

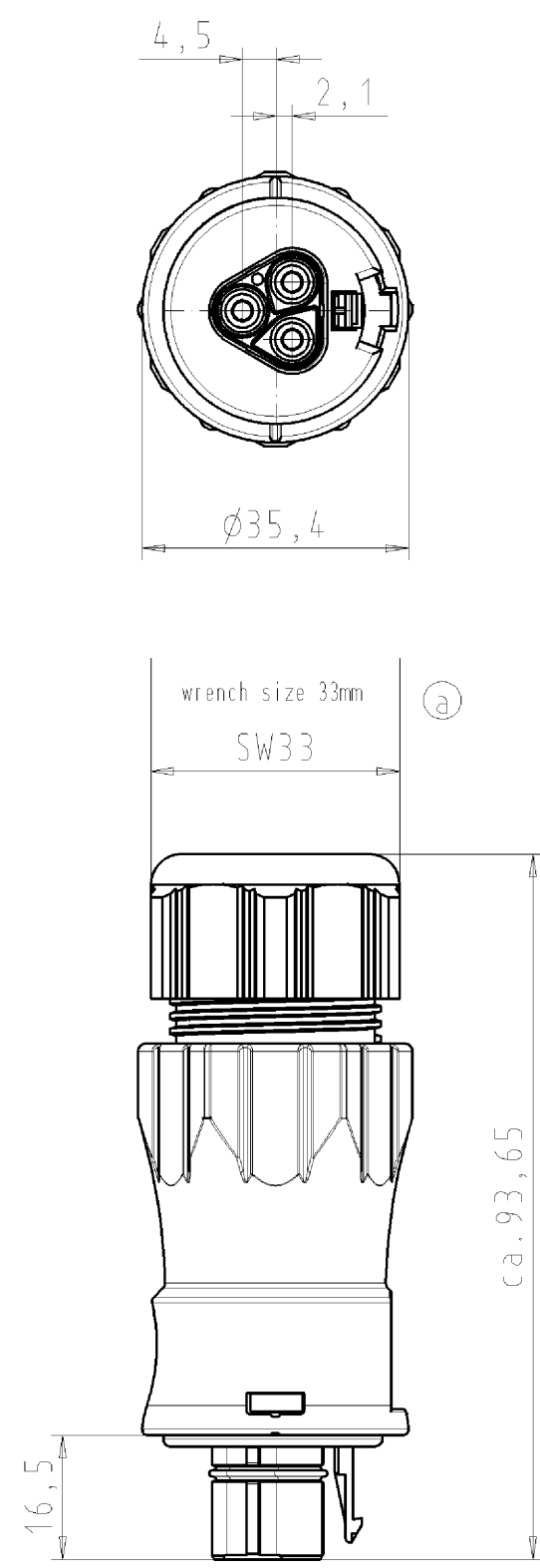
Fits with

Commercial Art.No.:	Article-type description:	Description:

96.030.0153.1	Distributor RST20i3V 3P1 F V SW	RST20i3 distribution block, 3 pole, application 250V with PE, 20A, 1 input and 3 outputs, with fastening option, coding color black, color of housing black
96.031.4553.1	Connector RST20i3S B1 ZR3 SW	RST20i3 connector, 3 pole, female, screw connection, application 250V with PE, 20A, for cable diameters 14-18mm, coding color black, color of housing black
96.031.5053.1	Device connector RST20i3S B1 M01 SW	RST20i3 device connector M25, 3 pole, female, screw connection, application 250V with PE, 20A, coding color black
96.031.6153.1	Device connector RST20i3S B1 M03 SW	RST20i3 device connector M16, 3 pole, female, screw connection, modular, application 250V with PE, 20A, coding color black, color of housing black
96.031.6053.1	Device connector RST20i3S B1 M00 SW	RST20i3 device connector M20, 3 pole, female, screw connection, modular, application 250V with PE, 20A, coding color black, color of housing black
96.033.6053.1	Device connector RST20i3S B1 M90 SW	RST20i3 device connector (90° angled) M20, 3 pole, female, screw connection, modular, application 250V with PE, 20A, coding color black, color of housing black
96.035.6153.1	Device connector RST20i3S B1 M13 SW	RST20i3 device connector (7° angled) M16, 3 pole, female, screw connection, modular, application 250V with PE, 20A, coding color black, color of housing black

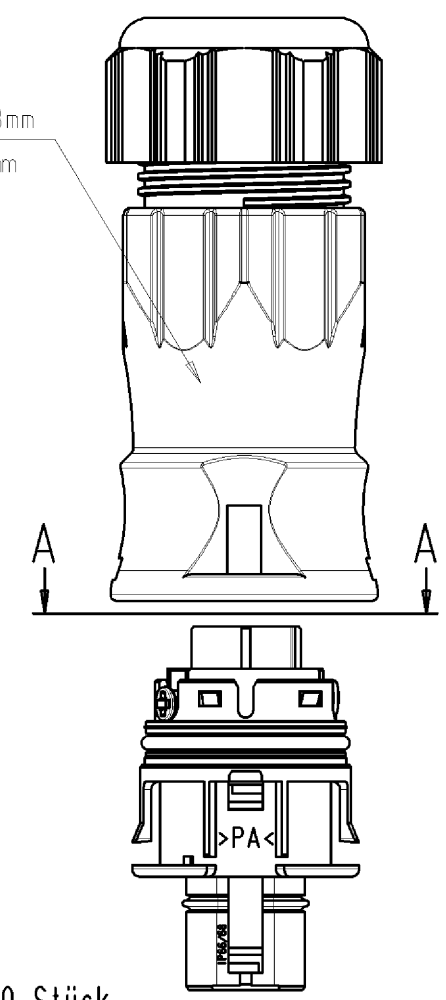
These dimensions will be especially checked at delivery
Only inspection dimensions
With /E marked dimensions are only valid for internal use

Diese Maße werden bei Abnahme besonders geprüft
Ausschließlich Prüfmaße
Mit /E gekennzeichnete Maße sind nur für interne Zwecke gültig



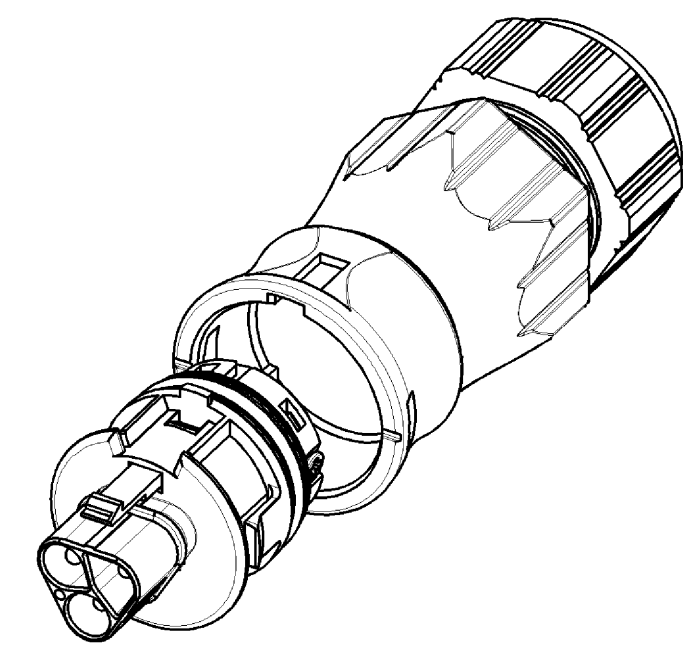
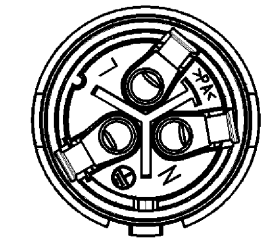
Auslieferungszustand delivery status

for cable diameter 14-18mm
für Kabeldurchm. 14-18mm



Verpackungseinheit: je 100 Stück
packaging unit: per 100

A-A



Weitergabe sowie Vervielfältigung dieses Dokuments, Verwertung und Mitteilung seines Inhalts sind verboten, soweit nicht ausdrücklich gestattet. Die Reproduktion, Distribution und Nutzung dieses Dokuments sowie die Kommunikation der Inhalte zu anderen ohne ausdrückliche Genehmigung ist untersagt.

Tolerierung nach DIN 7167/Tolerance system acc. to DIN 7167. (This DIN-standard describes the envelope principle. According to the envelope principle the deviations of form and parallelism are limited by the size tolerances).		nein/no <input checked="" type="checkbox"/> Stoffverbots- und Deklarationsliste nach UU-TQM-05/03 ist einzuhalten. Conformity with Wieland document UU-TQM-05/03 (list of prohibited / declarable hazardous substances) to be declared!	
Freitoleranz nach General tolerance		CAD - Zeichnung, keine manuellen Änderungen CAD - drawing, no manual modifications allowed	1. Verwendung: - First Use:
Blatt: 1 von 1 Sheet: 1 of 1		Zeichnung Nr./Drawing No. Index	
T 96.032.4553.0 01K a		Maße in mm/Dimensions are in mm	
Maßstab/Scale 1:1		Werkstoff/Material	
2006 gezeichnet/drawn 16.02. geprüft/checked Kneitz Nicht gepr./Stand. check		Ersatz für/Replacement for: -	
a 21.02.2006/ Index Datum / Blatt Date / Sheet		Type Benennung/Title	
Änderung/Revision		STECKERTEIL MIT ZUGENTLASTUNG male connector with cord grip Schraubanschluss ohne Drahtschutz/screw-connection without wire protection	

Teile-Nr./ part-nr.	Farbe:/ color:	Type
96.032.4553.1	schwarz, ähnl. RAL 9005/ black, similar to RAL 9005	RST2013S S1 ZR3 V SW
96.032.4553.0	lichtgrau, ähnl. RAL 7035/ lightgrey, similar to RAL 7035	RST2012S S1 ZR3 V GL

960324553001K_4_CADW1019_Kneitz 2006-02-21T07:29:09 1.000 QU-PEM-08/91