

REV.	DESCRIPTION	DRAWN	CHECKED	APPROVED
A	NEW RELEASE	YCH 12/14/11'	~	LJC 12/14/11'
B	DRAWING UPDATE	JLZ 11/07/16'	~	

NOTES:

1. METAL HOOD MATERIAL: Znic alloy

2. PART NUMBER CODE:

DS1049 - 09 X X - X

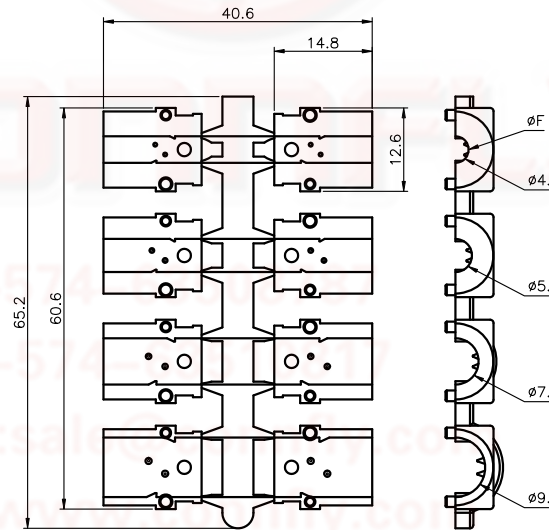
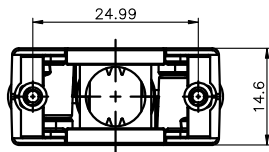
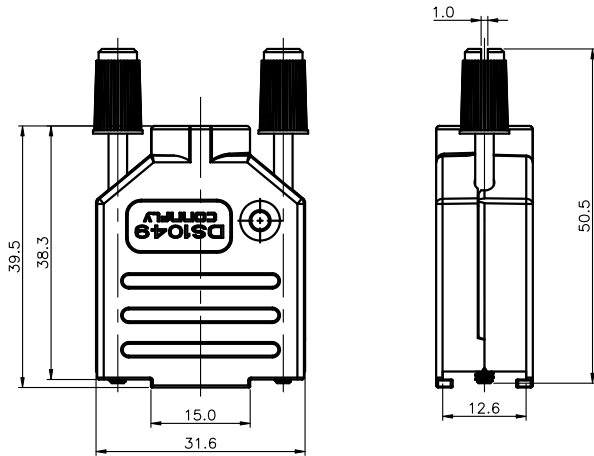
LOGO Support
X: W/O LOGO
N/A: CONNFLY LOGO

Packing type
1: Mix packing

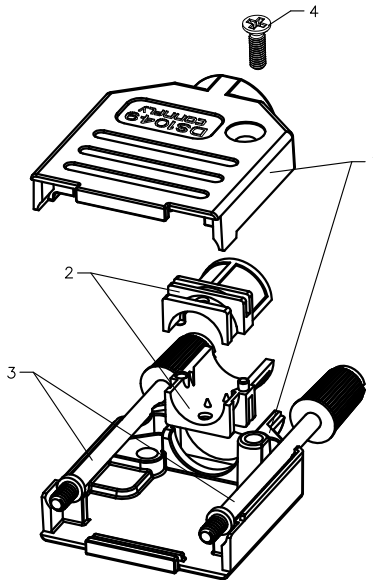
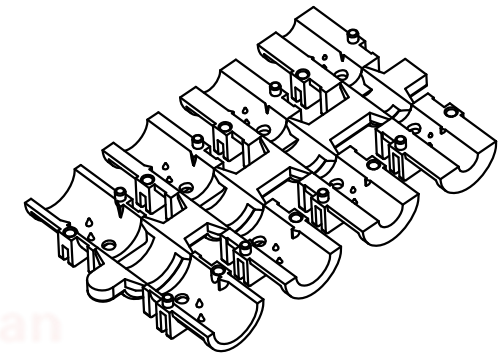
Cover Material
M: Metal(Znic alloy)

Positions
09: 9pin

BOM LIST			
ITEM	PART NAME	Q'ty	NOTES
1	METAL HOOD	2	Znic alloy
2	SR	2	
3	LONG BOLT	2	UNC 4-40
4	SCREW	2	M3



øF
ø4.0
ø5.0
ø7.0
ø9.0



GENERAL TOLERANCE	ANGLE TOLERANCE
X. ±0.60	X. ±5°
.X ±0.38	.X ±3°
.XX ±0.25	.XX ±2°

PROJECTION	TITLE
UNITS	D-SUB 9pin Metal Hoods
SHEET SIZE	SERIES DS1049 SERIES

DRAWING TYPE	COSTOMER
SCALE	1:1 SHEET 1 OF 1
DRAWING NO.	C-DS1049-09XX-X-B

晨翔电子有限公司
CONNFLY CONNFLY ELECTRONIC CO. LTD

REV.	DESCRIPTION	DRAWN	CHECKED	APPROVED
A	NEW RELEASE	YCH 12/14/11'	~	LJC 12/14/11'
B	DRAWING UPDATE	JLZ 11/07/16'	~	

NOTES:

1. METAL HOOD MATERIAL: Zinc alloy

2. PART NUMBER CODE:

DS1049 - 15 X X - X

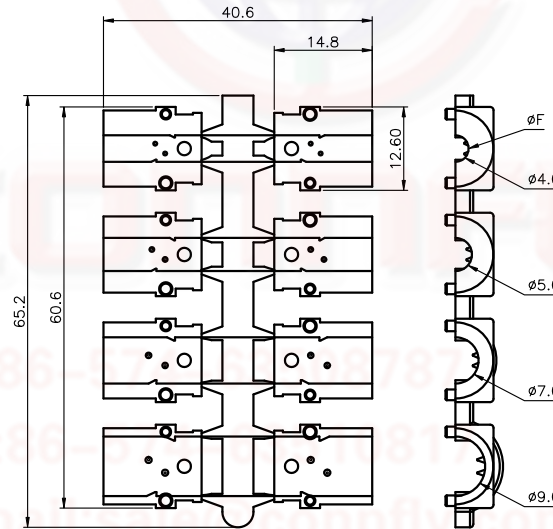
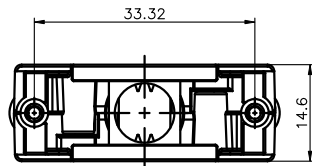
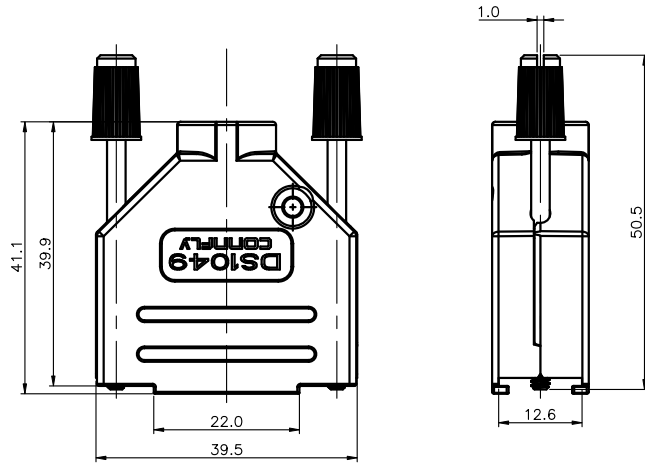
LOGO Support
X: W/O LOGO
N/A: CONNFLY LOGO

Packing type
1: Mix packing

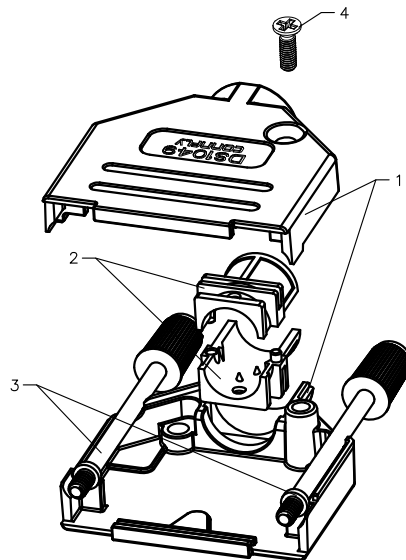
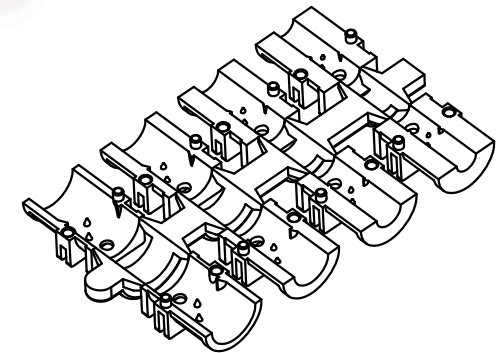
Cover Material
M: Metal(Zinc alloy)

Positions
15: 15pin

BOM LIST			
ITEM	PART NAME	Q'ty	NOTES
1	METAL HOOD	2	Zinc alloy
2	SR	2	
3	LONG BOLT	2	UNC 4-40
4	SCREW	2	M3




ØF
Ø4.0
Ø5.0
Ø7.0
Ø9.0



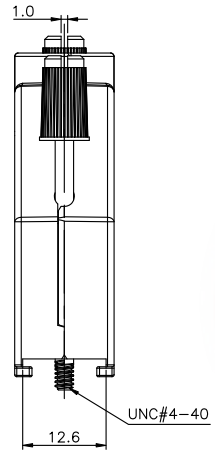
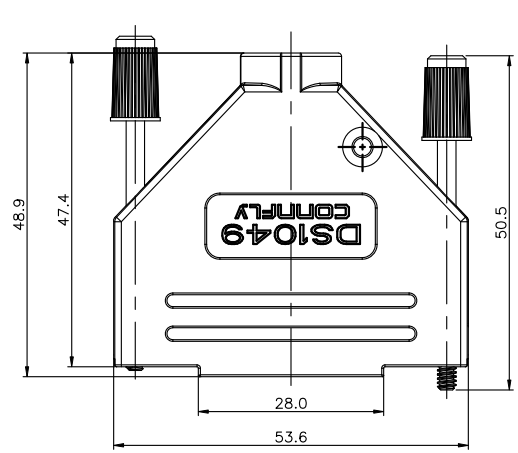
GENERAL TOLERANCE		ANGLE TOLERANCE	
X.	±0.60	X.	±5°
.X	±0.38	.X	±3°
.XX	±0.25	.XX	±2°

PROJECTION	TITLE
UNITS	D-SUB 15pin Metal Hoods
SHEET SIZE	SERIES DS1049 SERIES

DRAWING TYPE	COSTOMER		
SCALE	1:1	SHEET	1 OF 1
DRAWING NO.	C-DS1049-15XX-X-B		

 晨翔电子有限公司
CONNFLY CONNFLY ELECTRONIC CO. LTD

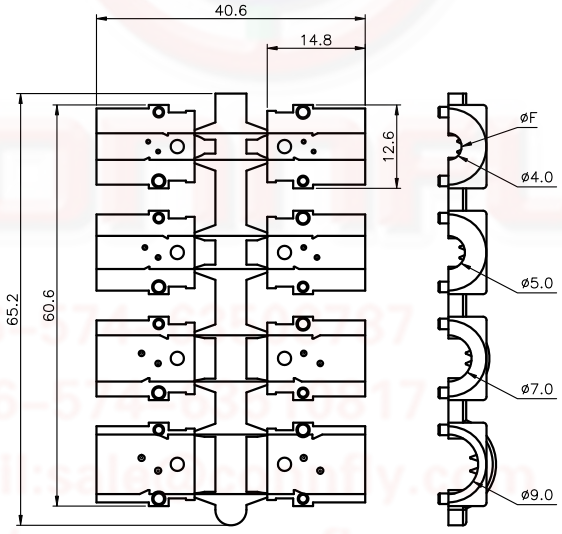
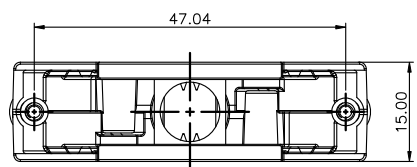
REV.	DESCRIPTION	DRAWN	CHECKED	APPROVED
A	NEW RELEASE	YCH 12/14/11'	~	LJC 12/14/11'
B	DRAWING UPDATE	JLZ 11/07/16'	~	



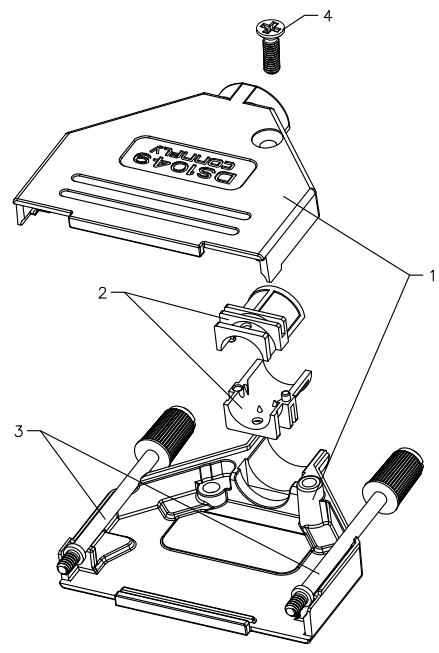
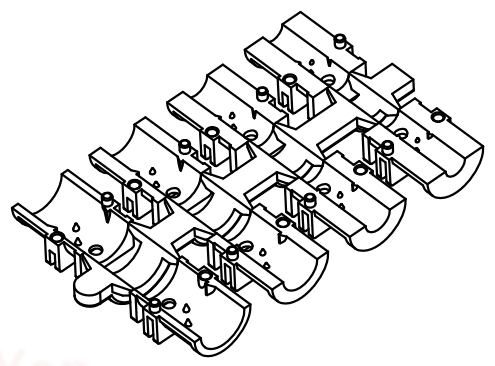
BOM LIST			
ITEM	PART NAME	Q'ty	NOTES
1	METAL HOOD	2	Znic alloy
2	SR	2	
3	LONG BOLT	2	UNC 4-40
4	SCREW	2	M3

NOTES:
 1. METAL HOOD MATERIAL: Znic alloy
 2. PART NUMBER CODE:
 DS1049 - 25 X X - X

- LOGO Support
- X: W/O LOGO
- N/A: CONNFLY LOGO
- Packing type
- 1: Mix packing
- Cover Material
- M: Metal(Znic alloy)
- Positions
- 25: 25pin



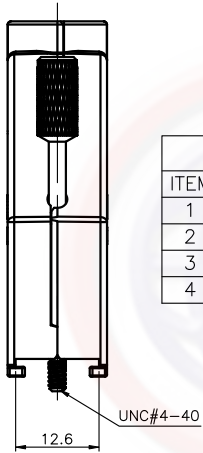
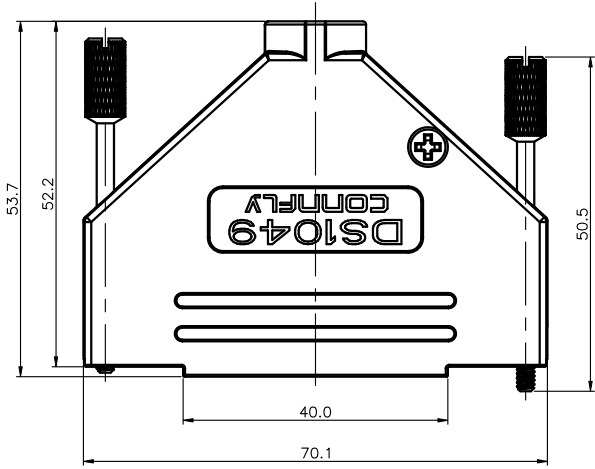
ϕF
$\phi 4.0$
$\phi 5.0$
$\phi 7.0$
$\phi 9.0$



GENERAL TOLERANCE		ANGLE TOLERANCE		PROJECTION	TITLE
X.	± 0.60	X.	$\pm 5^\circ$		D-SUB 25pin Metal Hoods
.X	± 0.38	.X	$\pm 3^\circ$	mm	
.XX	± 0.25	.XX	$\pm 2^\circ$	A4	
DRAWING TYPE		CUSTOMER		SHEET SIZE	SERIES DS1049 SERIES
SCALE		1:1		SHEET 1 OF 1	
DRAWING NO.		C-DS1049-25XX-X-B			

晨翔电子有限公司
CONNFLY CONNFLY ELECTRONIC CO. LTD

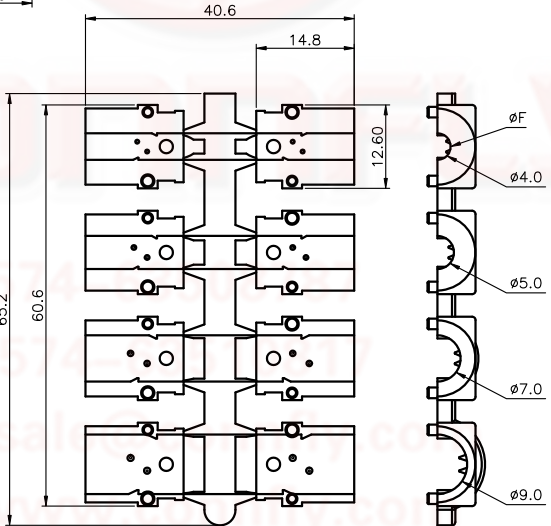
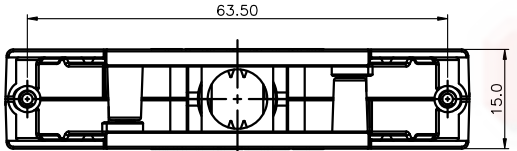
REV.	DESCRIPTION	DRAWN	CHECKED	APPROVED
A	NEW RELEASE	YCH 12/14/11'	~	LJC 12/14/11'
B	DRAWING UPDATE	JLZ 11/07/16'	~	



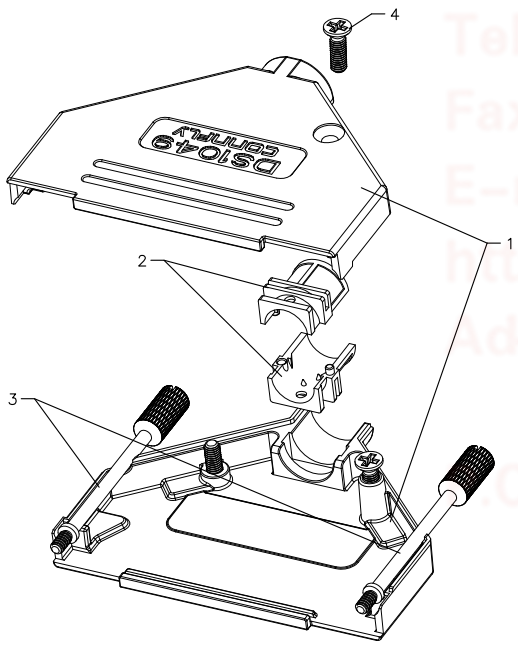
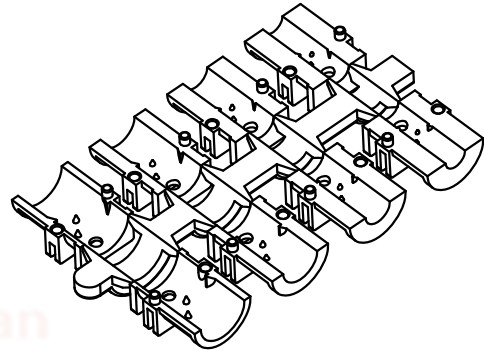
BOM LIST			
ITEM	PART NAME	Q'ty	NOTES
1	METAL HOOD	2	Znic alloy
2	SR	2	
3	LONG BOLT	2	UNC 4-40
4	SCREW	2	M3

NOTES:
 1. METAL HOOD MATERIAL: Znic alloy
 2. PART NUMBER CODE:
 DS1049 - 37 X X - X

- LOGO Support
- X: W/O LOGO
- N/A: CONNFLY LOGO
- Packing type
- 1: Mix packing
- Cover Material
- M: Metal(Znic alloy)
- Positions
- 37: 37pin



øF
ø4.0
ø5.0
ø7.0
ø9.0



GENERAL TOLERANCE	ANGLE TOLERANCE
X. ±0.60	X. ±5°
.X ±0.38	.X ±3°
.XX ±0.25	.XX ±2°

PROJECTION	TITLE
UNITS	D-SUB 37pin Metal Hoods
SHEET SIZE	SERIES DS1049 SERIES

DRAWING TYPE	COSTOMER
SCALE	1:1 SHEET 1 OF 1
DRAWING NO.	C-DS1049-37XX-X-B

晨翔电子有限公司
CONNFLY CONNFLY ELECTRONIC CO. LTD