

Data sheet

Commercial Art.No.: 90.010.0153.0

Distributor GST08I2V 2P GNO3

GST08i2 distribution block, 2 pole, coding 50 V, 6A, 1 input 2 outputs, coding color green



Commercial Art.No.	90.010.0153.0
EAN	4049088365447
Order Unit	1

Certificates / Approvals



Technical data

General

Rated current	6 A
Rated voltage	50 V
Rated impulse voltage	4 kV
Pollution degree	2
Mechanical coding	yes
Lockable	No
Color of coding/ contact carrier	green

Model

Number of inputs	1
Number of outputs	2
Type of fastening	No
Degree of protection (IP)	IP20
Type of distributor	h-distributor

Material

Housing material	PVC
halogen free	No
Fire load	0 kWh
Insulation components continuous temperature	90 °C

Dimensions

Length	81 mm
Width	30 mm
Height	13.5 mm

Classification

ECLASS 11	
ECLASS 8.1	27440603
ETIM 7.0	EC002567
ETIM 6.0	EC002567
ETIM 5.0	EC002567
ETIM 4.0	EC002567

Product compliance

ROHS conformity status	Compliant
REACH-SVHC conformity status	Compliant

Fits with

Commercial Art.No.:	Article-type description:	Description:
90.210.0523.2	Cable assembly GST08I2B- 75T 05GNO3	GST08i2 extension cable female - free end, length 0.5 m, 2 pole, coding extra-low voltage parallel 50 V, 6 A, coding color green, cable color white, cross section 0.75 mm ² , cable type H03V2V2H2-F
90.210.0543.2	Cable assembly GST08I2B- 75H 05GN03	GST08i2 extension cable female - free end, length 0.5 m, 2 pole, coding extra-low voltage parallel 50 V, 6 A, coding color green, cable color white, cross section 0.75 mm ² , cable type H03Z1Z1H2-F
90.210.1023.2	Cable assembly GST08I2B- 75T 10GNO3	GST08i2 extension cable female - free end, length 1.0 m, 2 pole, coding extra-low voltage parallel 50 V, 6 A, coding color green, cable color white, cross section 0.75 mm ² , cable type H03V2V2H2-F
90.210.2023.2	Cable assembly GST08I2B- 75T 20GNO3	GST08i2 extension cable female - free end, length 2.0 m, 2 pole, coding extra-low voltage parallel 50 V, 6 A, coding color green, cable color white, cross section 0.75 mm ² , cable type H03V2V2H2-F
90.210.3023.2	Cable assembly GST08I2B- 75T 30GNO3	GST08i2 extension cable female - free end, length 3.0 m, 2 pole, coding extra-low voltage parallel 50 V, 6 A, coding color green, cable color white, cross section 0.75 mm ² , cable type H03V2V2H2-F
90.210.5023.2	Cable assembly GST08I2B- 75T 50GNO3	GST08i2 extension cable female - free end, length 5.0 m, 2 pole, coding extra-low voltage parallel 50 V, 6 A, coding color green, cable color white, cross section 0.75 mm ² , cable type H03V2V2H2-F
90.215.0533.2	Cable assembly GST08I2B- 05 05GNO3	GST08i2 extension cable female - free end, length 0.5 m, 2 pole, coding extra-low voltage parallel 50 V, 6 A, coding color green, cable color white, cross section 0.5 mm ² , cable type LIYZ-F
90.215.1033.2	Cable assembly GST08I2B- 05 10GNO3	GST08i2 extension cable female - free end, length 1.0 m, 2 pole, coding extra-low voltage parallel 50 V, 6 A, coding color green, cable color white, cross section 0.5 mm ² , cable type LIYZ-F
90.210.0524.2	Cable assembly GST08I2-S 75T 05GNO3	GST08i2 extension cable male - free end, length 0.5 m, 2 pole, coding extra-low voltage parallel 50 V, 6 A, coding color green, cable color white, cross section 0.75 mm ² , cable type H03V2V2H2-F
90.210.0544.2	Cable assembly GST08I2-S 75H 05GN03	GST08i2 extension cable male - free end, length 0.5 m, 2 pole, coding extra-low voltage parallel 50 V, 6 A, coding color green, cable color white, cross section 0.75 mm ² , cable type H03Z1Z1H2-F
90.210.1024.2	Cable assembly GST08I2-S 75T 10GNO3	GST08i2 extension cable male - free end, length 1.0 m, 2 pole, coding extra-low voltage parallel 50 V, 6 A, coding color green, cable color white, cross section 0.75 mm ² , cable type H03V2V2H2-F
90.210.2524.2	Cable assembly GST08I2-S 75T 25GNO3	GST08i2 extension cable male - free end, length 2.5 m, 2 pole, coding extra-low voltage parallel 50 V, 6 A, coding color green, cable color white, cross section 0.75 mm ² , cable type H03V2V2H2-F
90.210.5024.2	Cable assembly GST08I2-S 75T 50GNO3	GST08i2 extension cable male - free end, length 5.0 m, 2 pole, coding extra-low voltage parallel 50 V, 6 A, coding color green, cable color white, cross section 0.75 mm ² , cable type H03V2V2H2-F

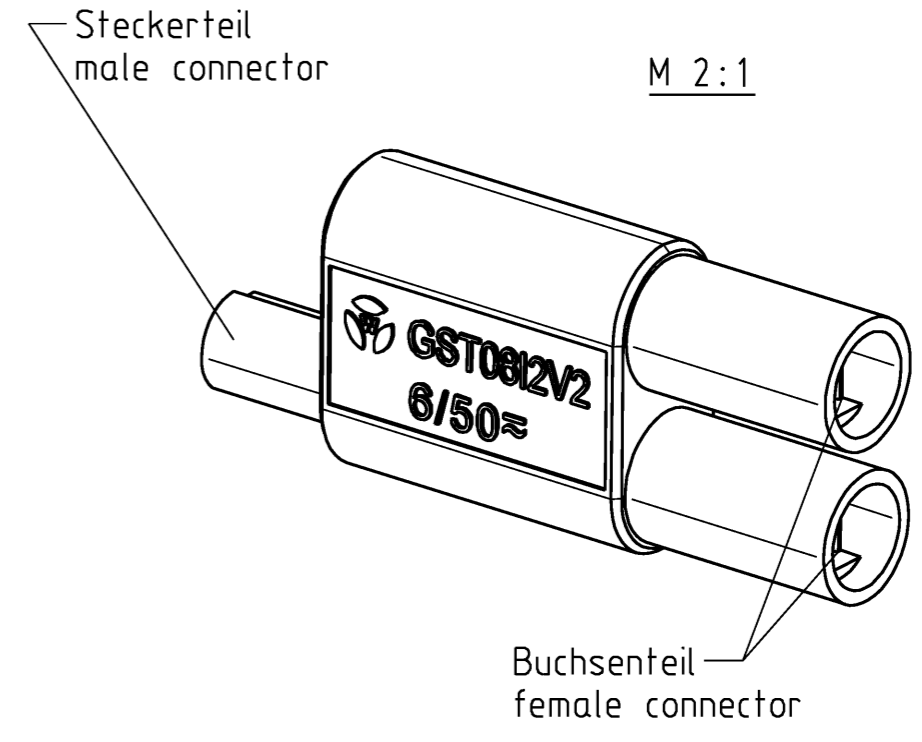
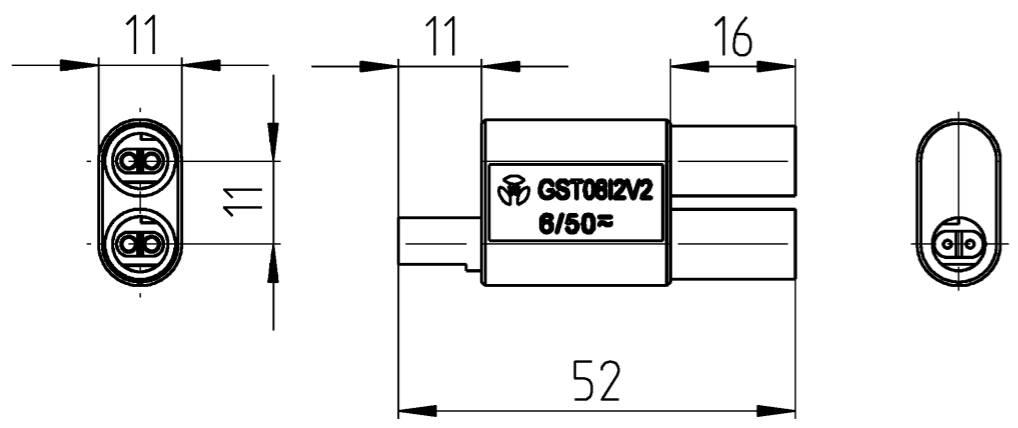
90.215.0534.2	Cable assembly GST08I2-S 05 05GNO3	GST08i2 extension cable male - free end, length 0.5 m, 2 pole, coding extra-low voltage parallel 50 V, 6 A, coding color green, cable color white, cross section 0.5 mm ² , cable type LIYZ-F
90.215.1034.2	Cable assembly GST08I2-S 05 10GNO3	GST08i2 extension cable male - free end, length 1.0 m, 2 pole, coding extra-low voltage parallel 50 V, 6 A, coding color green, cable color white, cross section 0.5 mm ² , cable type LIYZ-F
90.215.1534.2	Cable assembly GST08I2-S 05 15GNO3	GST08i2 extension cable male - free end, length 1.5 m, 2 pole, coding extra-low voltage parallel 50 V, 6 A, coding color green, cable color white, cross section 0.5 mm ² , cable type LIYZ-F
90.215.1533.2	Cable assembly GST08I2B- 05 15GNO3	GST08i2 extension cable female - free end, length 1.5 m, 2 pole, coding extra-low voltage parallel 50 V, 6 A, coding color green, cable color white, cross section 0.5 mm ² , cable type LIYZ-F
90.210.0323.2	Cable assembly GST08I2B- 75T 03GNO3	GST08i2 extension cable female - free end, length 0.3 m, 2 pole, coding extra-low voltage parallel 50 V, 6 A, coding color green, cable color white, cross section 0.75 mm ² , cable type H03V2V2H2-F
90.210.0524.1	Cable assembly GST08I2-S B75T 05GNO3	GST08i2 extension cable male - free end, length 0.5 m, 2 pole, coding extra-low voltage parallel 50 V, 6 A, coding color green, cable color black, cross section 0.75 mm ² , cable type H03V2V2H2-F

A
 Weitergabe sowie Vervielfältigung dieses Dokuments, Verwertung und Mitteilung seines Inhalts sind verboten, soweit nicht ausdrücklich gestattet. Die Reproduktion, Distribution und Utilization of this document as well as the communication of its contents to others without express authorization is prohibited.

B
 These dimensions will be especially checked at delivery
 Only inspection dimensions
 With /E marked dimensions are only valid for internal use

C
 Diese Maße werden bei Abnahme besonders geprüft
 Ausschließlich Prüfmaße
 Mit /E gekennzeichnete Maße sind nur für interne Zwecke gültig

D
 F



90.010.0153.0	GST0812V 2P	GN03	grün / green
Bestellnummer / order number	Typ / type	Farbe / colour	
Weitere Daten siehe KATALOG oder eKATALOG. Additional data see CATALOG or eKATALOG.			www.wieland-electric.com eshop.wieland-electric.com
Tolerierung Size ISO 14405 © / Tolerance system Size ISO 14405 ©. (This ISO-standard describes the envelope principle. According to the envelope principle the deviations of form and parallelism are limited by the size tolerances).		ja/yes <input checked="" type="checkbox"/> Stoffverbots- und Deklarationsliste nach WN 5020.010 ist einzuhalten. Conformity with Wieland document WN 5020.010 e (list of prohibited / declarable hazardous substances) to be declared!	
Freitoleranz nach General tolerance	DIN ISO 2768 - m	CAD - Zeichnung, keine manuellen Änderungen CAD - drawing, no manual modifications allowed	1 Verwendung: First Use:
Blatt: 1 von 1 Sheet: 1 of 1			
Werkstoff / Material		Tag/Date	Name
Maßstab / Scale		gezeichnet drawn	10.01.2018 Dütsch T.
1:1		geprüft checked	
Vol. mm ³ Dfl./Srf. mm ²		Normgepr. Stand. check	
Ersatz für / Replacement for:		Zeichnung Nr. / Drawing No.	
www.wieland-electric.com		90.010.0153.0 13K -	
Index Datum / Blatt Date / Sheet		Maße in mm / Dimensions are in mm	
Änderung / Revision		Type	
		Bennennung/Title	
		VERTEILER	
		Y-Form 2-polig / distributor Y-form 2-pole 50V 6A	
		Ministecksystem 2x uncodiert / uncodet	