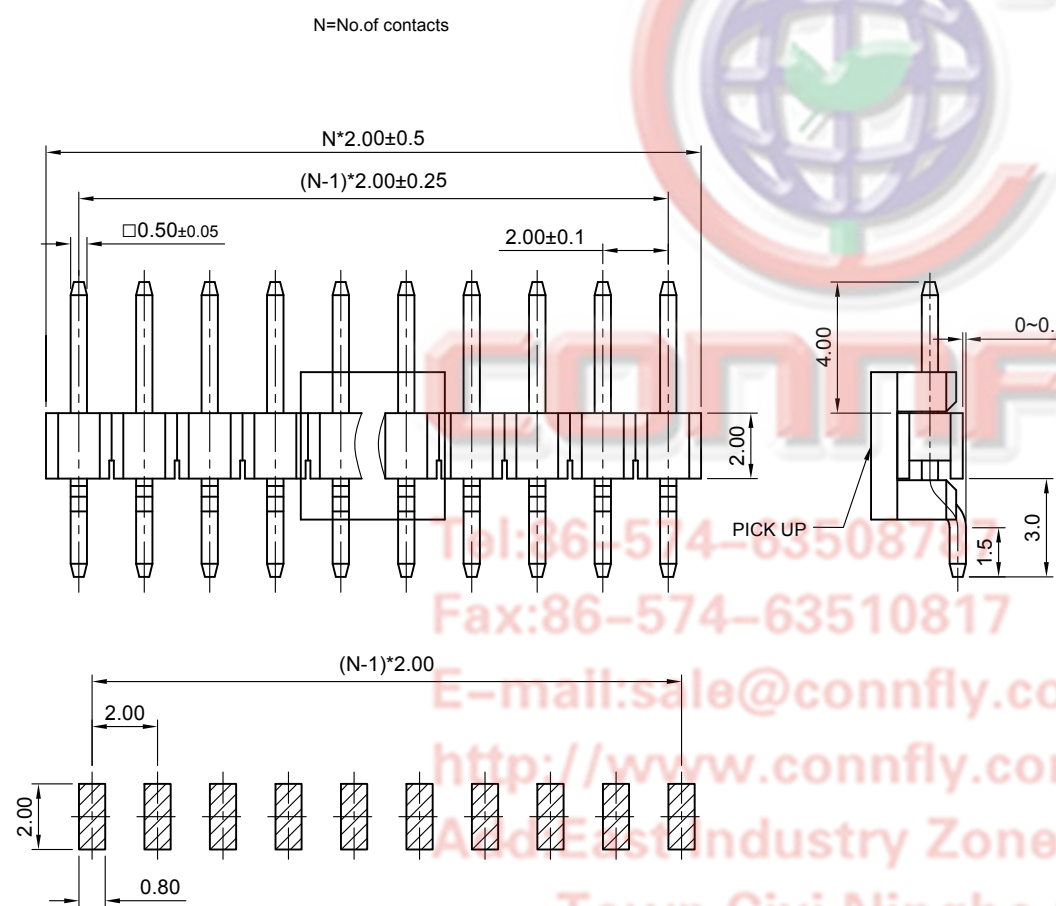


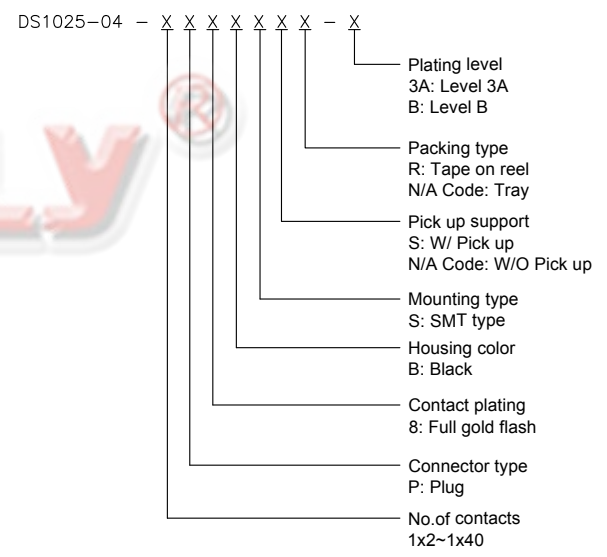
Dept	Qty
DC	1
ED	1
IE	1
ISO	1
PD	1
R&D	1
SD	1
QA	1
QC	1
QE	1

REV.	DESCRIPTION	DRAWN	CHECKED	APPROVED
A	NEW RELEASE	YCH 12/10/07'		LJC 12/10/07'
B	ADD P/N CODE	JLZ 10/28/14'		LJC 10/28/14'
C	DRAWING UPDATE	JLZ 04/28/15'		

The information provided herein is from CONNFLY Electronic Co., Ltd. and is confidential. Any disclosure to a party other than the recipient is prohibited. The intellectual properties and its rights contained herein, including but not limited to, trademarks, patents, copyrights, trade secrets, and technical know-how, are owned exclusively by CONNFLY or its affiliates. Unauthorized use or reproduction of any part of this document without the prior written consent of CONNFLY may result in legal action. CONNFLY may enforce its intellectual property rights at its own discretion, failures or delays to exercise such rights does not constitute a waiver of such rights.



Notes:
Specifications:
 1. Contact Resistance: 20mΩ Max.
 2. Insulation Resistance: 1000MΩ Min.
 3. Dielectric Withstanding Voltage: 500V AC(rms) For 1 Minute.
 4. Current Rating:1.5A.
 5. Temperature: -40°C~+105°C.
Materials:
 1. Contact Material: Copper Alloy.
 2. Contact Plating: Gold Plating Over Nickel.
 3. Insulator Material: High temp,Black,UL94-V0.
Product Number Code:



RECOMMEND PCB LAYOUT(TOLERANCE=±0.05)

Tel:86-574-63508717
 Fax:86-574-63510817
 E-mail:sale@connfly.com
 http://www.connfly.com
 And East Industry Zone KuangYan
 Town Cixi Ningbo China
 P.C:315333

GENERAL TOLERANCE		ANGLE TOLERANCE		PROJECTION		TITLE	2.0mm Pin Header	
X.	±0.60	X.	±5°	UNITS	mm	Single Row SMT Type		
.X	±0.38	.X	±3°	SHEET SIZE	A4	SERIES	DS1025-04 SERIES	
.XX	±0.25	.XX	±2°	晨翔电子有限公司 CONNFLY CONNFLY ELECTRONIC CO. LTD				
DRAWING TYPE		CUSTOMER						
SCALE		1:1	SHEET 1 OF 1					
DRAWING NO.		C-DS1025-04-XXXXXX-X-C						