

## Data sheet

Commercial Art.No.: 96.072.6053.1

Device connector RST20I7S S1 M00V SW

RST20i7 device connector M20, 7 pole, male, screw connection, modular, application 250/400V with PE, 20A, coding color black, color of housing black



Commercial Art.No.	96.072.6053.1
EAN	4049088424144
Order Unit	1

Certificates / Approvals



## Technical data

### General

Rated current	20 A
Rated voltage	250 V / 400 V
Pollution degree	3
Rated impulse voltage	4 kV
Lockable	self-locking (unlocking by tool)
Color of coding/ contact carrier	black
Marking of poles	1, 2, 3, 4/N, 5, 6, PE

### Connection Data

Connection cross section solid mm <sup>2</sup> max.	2.5 mm <sup>2</sup>
Connection cross section solid mm <sup>2</sup> min.	0.2 mm <sup>2</sup>
Connection cross section fine stranded mm <sup>2</sup> max.	2.5 mm <sup>2</sup>
Connection cross section fine stranded mm <sup>2</sup> min.	0.2 mm <sup>2</sup>
Terminations per pole	1
Wire strip length	8 mm
Connection cross section stranded AWG min.	20 AWG
Connection cross section stranded AWG max.	14 AWG

### Model

Model	male
Connection type	screw connection
Connecting thread metric	M20
Angle of plug	straight
Degree of protection (IP)	IP66/68 (3m;2h) /IP69
Thickness of housings (electrical device) 2	0.5 mm

Thickness of housings (electrical device)	8 mm
---	------

#### Material

Housing material	Polyamide
halogen free	yes
Contact material	CuZn
Fire load	0.238 kWh
Insulation components continuous temperature	100 °C
Surface finish	Silver-plated
UL classification housing	UL-V2

#### Dimensions

Length	66 mm
Width	34.6 mm
Height	34.6 mm

#### Note

Note	Wires with 2,5 mm <sup>2</sup> only without ferrules; Positioning realised with flattened thread; 3 poles max. 20A, 4 poles max. 5A
------	---

#### Classification

ECLASS 11	
ECLASS 8.1	27440602
ETIM 7.0	EC002566
ETIM 6.0	EC002566
ETIM 5.0	EC002566
ETIM 4.0	EC002566

#### Product compliance

ROHS conformity status	Compliant/Exempted
ROHS exceptions	III-6(c)
REACH-SVHC conformity status	Duty-To-Declare
REACH-SVHC substances	Lead
REACH-SVHC CAS numbers	7439-92-1

#### Fits with

Commercial Art.No.:	Article-type description:	Description:
96.071.4053.1	Connector RST20I7S B1 ZR1 SW	RST20i7 connector, 7 pole, female, screw connection, application 250/400V with PE, 20A, for cable diameters 6-10mm, coding color black, color of housing black
9L.071.4053.1	Connector RST20I7S 11 ZR1 SW	RST20i7 connector, with longitudinal sealing, 7 pole, female, screw connection, application 250/400V with PE, 20A, for cable diameters 6-10mm, coding color black, color of housing black
96.071.4153.1	Connector RST20I7S B1 ZR2 SW	RST20i7 connector, 7 pole, female, screw connection, application 250/400V with PE, 20A, for cable diameters 10-14mm, coding color black, color of housing black
9L.071.4153.1	Connector RST20I7S 11 ZR2 SW	RST20i7 connector, with longitudinal sealing, 7 pole, female, screw connection, application 250/400V with PE, 20A, for cable diameters 10-14mm, coding color black, color of housing black

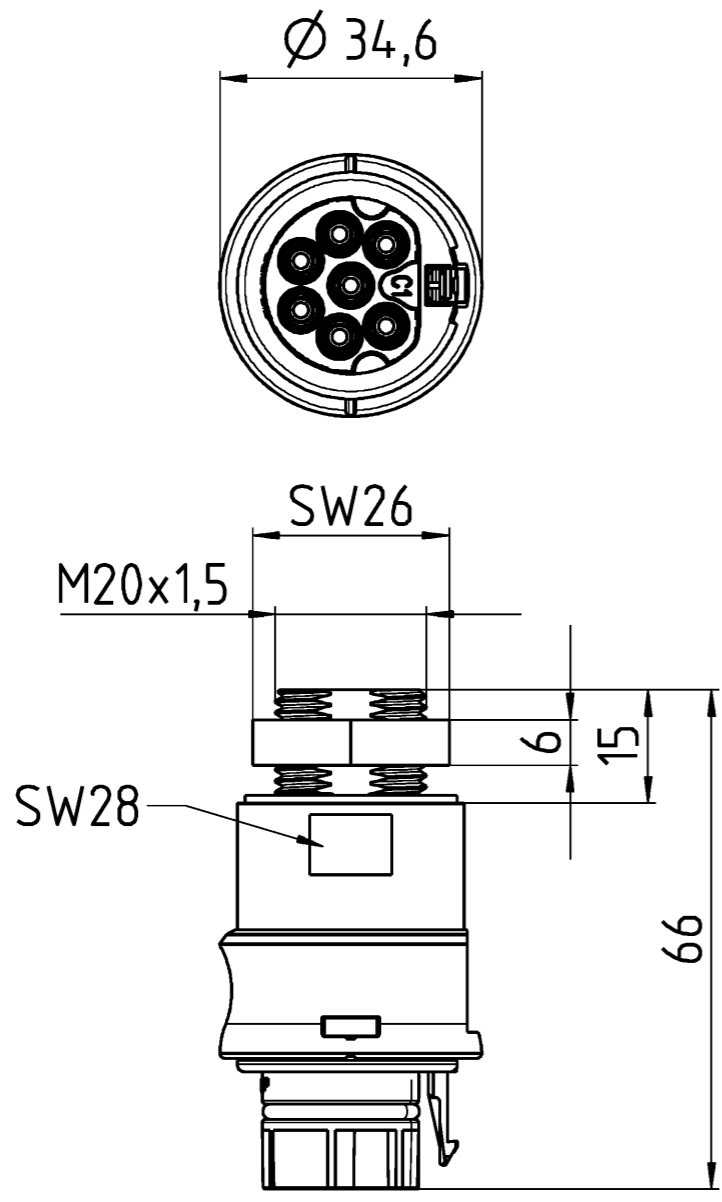
96.071.4253.1	Connector RST20i7 B1 ZRX SW	RST20i7 splitter connector, 7 pole, female, screw connection, application 250/400V with PE, 20A, for cable diameters 6-10mm, coding color black, color of housing black
96.071.4353.1	Connector RST20i/S B1 ZRY SW	RST20i7 splitter connector, 7 pole, female, screw connection, application 250/400V with PE, 20A, for cable diameters 10-14mm, coding color black, color of housing black
96.071.4553.1	Connector RST20i7S B1 ZR3 SW	RST20i7 connector, 7 pole, female, screw connection, application 250/400V with PE, 20A, for cable diameters 14-18mm, coding color black, color of housing black
9L.071.4553.1	Connector RST20i7S 11 ZR3 SW	RST20i7 connector, with longitudinal sealing, 7 pole, female, screw connection, application 250/400V with PE, 20A, for cable diameters 14-18mm, coding color black, color of housing black
96.073.4053.1	Connector RST20i7S B1 YR1 SW	RST20i7 connector (90° angled), 7 pole, female, screw connection, application 250/400V with PE, 20A, for cable diameters 6-10mm, coding color black, color of housing black
9L.073.4053.1	Connector RST20i7S 11 YR1 SW	RST20i7 connector (90° angled), with longitudinal sealing, 7 pole, female, screw connection, application 250/400V with PE, 20A, for cable diameters 6-10mm, coding color black, color of housing black
96.073.4153.1	Connector RST20i7S B1 YR2 SW	RST20i7 connector (90° angled), 7 pole, female, screw connection, application 250/400V with PE, 20A, for cable diameters 10-14mm, coding color black, color of housing black
9L.073.4153.1	Connector RST20i7S 11 YR2 SW	RST20i7 connector (90° angled), with longitudinal sealing, 7 pole, female, screw connection, application 250/400V with PE, 20A, for cable diameters 10-14mm, coding color black, color of housing black

A  
 Weitergabe sowie Vervielfältigung dieses Dokuments, Verwertung und Mitteilung seines Inhalts sind verboten, soweit nicht ausdrücklich gestattet. Die Reproduktion, Distribution und Utilization of this document as well as the communication of its contents to others without express authorization is prohibited.

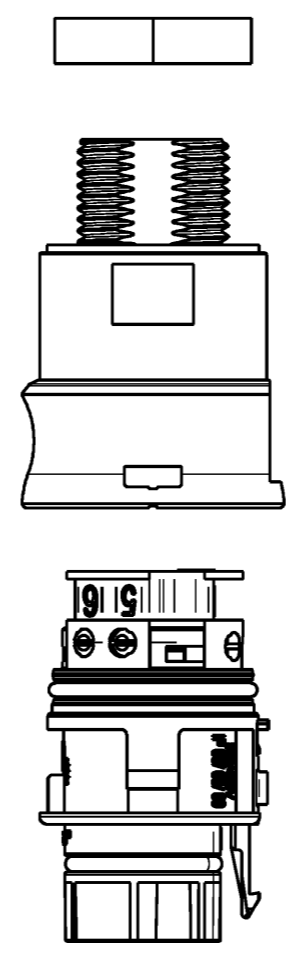
B  
 These dimensions will be especially checked at delivery  
 Only inspection dimensions  
 With /E marked dimensions are only valid for internal use

C  
 Diese Maße werden bei Abnahme besonders geprüft  
 Ausschließlich Prüfmaße  
 Mit /E gekennzeichnete Maße sind nur für interne Zwecke gültig

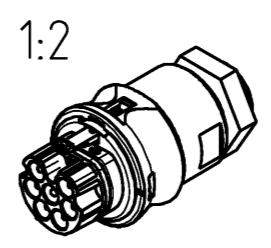
F



Auslieferungszustand / delivery status



Teile-Nr./ Part no.	Typ/ Type	Kodierung/ coding
96.072.6053.0	RST2017S S1 M00V GL	
96.072.6053.1	RST2017S S1 M00V SW	
9L.072.6053.0	RST2017S 21 M00V GL	
9L.072.6053.1	RST2017S 21 M00V SW	
96.072.6053.9	RST2017S S1 M00V BL07	
9L.072.6053.9	RST2017S 21 M00V BL07	
96.062.6053.6	RST2016S S1 M00V TB04	
9L.062.6053.6	RST2016S 21 M00V TB04	
96.072.6053.6	RST2017S S1 M00V TB04	
9L.072.6053.6	RST2017S 21 M00V TB04	



● = Pol verschlossen / pole closed

Tolerierung Size ISO 14405 (E) / Tolerance system Size ISO 14405 (E). (This ISO-standard describes the envelope principle. According to the envelope principle the deviations of form and parallelism are limited by the size tolerances).		ja/yes <input checked="" type="checkbox"/> Stoffverbots- und Deklarationsliste nach WN 5020.010 ist einzuhalten. Conformity with Wieland document WN 5020.010 e (list of prohibited / declarable hazardous substances) to be declared!	
Freitoleranz nach General tolerance	CAD - Zeichnung, keine manuellen Änderungen CAD - drawing, no manual modifications allowed	1. Verwendung: First Use:	Blatt: 1 von 1 Sheet: 1 of 1
/	Werkstoff / Material	Tag/Date	Name
/	Maßstab / Scale	gezeichnet/drawn	Hollet
/	1:1	geprüft/checked	
/	Vol. mm <sup>3</sup> Dfl./Srf. mm <sup>2</sup>	Normgepr. Stand. check	
Ersatz für / Replacement for:		Zeichnung Nr. / Drawing No.	
a 14.05.2018 / Datum / Blatt Date / Sheet		96.072.6053.0 13K a	
Änderung / Revision		Maße in mm / Dimensions are in mm	
www.wieland-electric.com		Type B Benennung/Title	
		RST20 ST_SCHRAUB	
		ST_SCHRAUB	
		male, screw connection without wire protection	