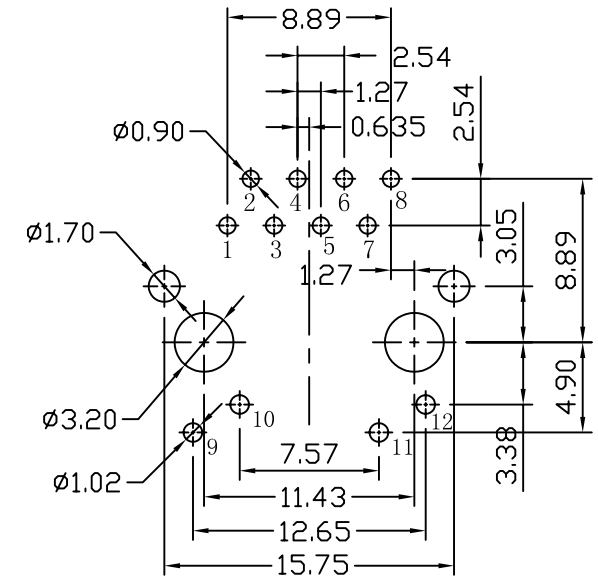
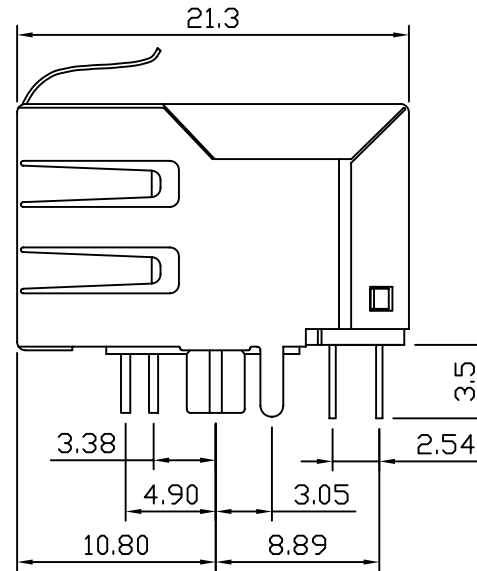
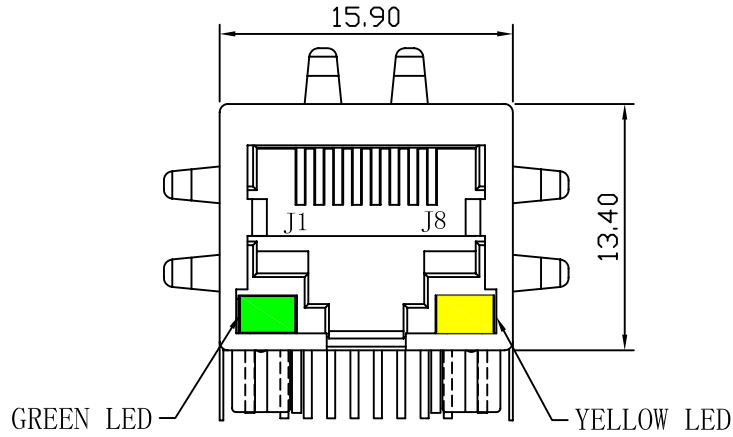
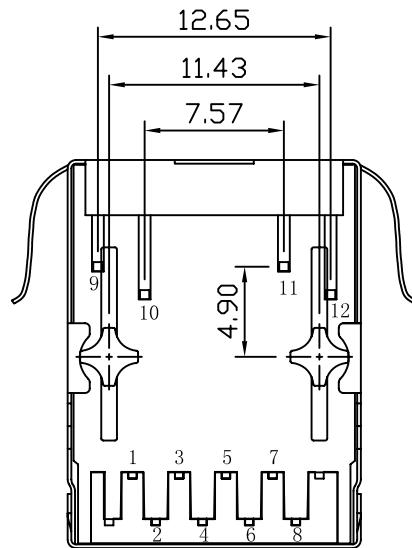


Mechanical:

REV.	ECN NO.	DESCRIPTION	DATE	APPD
A	REL		12/12/2008	



SUGGESTED PCB LAYOUT (TOP VIEW)



NOTES:

1. Designed to support application, such as SOHO (ADSL modems), LAN-on-Motherboard (LOM), hub and Switches.
2. Meets IEEE 802.3 specification
3. Connector Materials:
Housing: Thermoplastic UL94V-0
Contact/Shield: Copper alloy
Shield plating: Nickel
Contact plating: Gold 6 micro-inches min. In contact area.
4. Wave solder tip temperature: 265°C Max
Wave solder tip temperature time: 5 Sec Max
5. UL Certification: File Number E321120

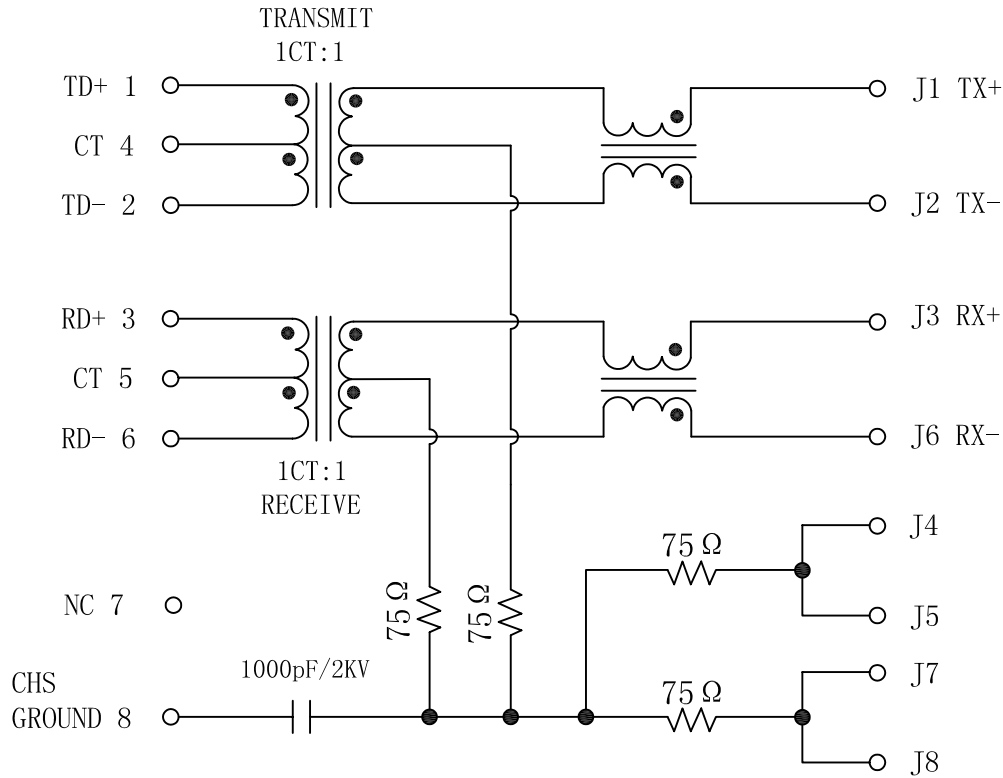


X:X	±0.25	APPD:	Trxcom
X:XX	±0.20	CHKD:	ShenZhen Trxcom Electronics Co., ltd
X:XXX	±0.05	DR: Leo	TITLE: RJ45 Connector with 10/100 Base-T Integrated Magnetics
ANGLES	±1°	UNIT: mm	PART NO.: TRJ0011ABNL
	SCALE: 2/1	SHEET: 1/2	REV: A
			DWG NO.: TRC08121203

Schematic:

REV.	ECN NO.	DESCRIPTION	DATE	APPD
A	REL		17/07/2008	

PC BOARD CONNECTIONS

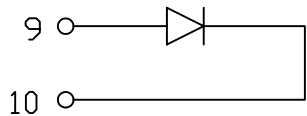


RJ45 CONNECTOR

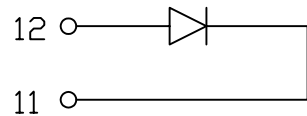
ELECTRICAL SPECIFICATIONS: @25°C

- Turn Ratio($\pm 2\%$):
TX=1CT:1 RX=1CT:1
- Inductance OCL:
350uH MIN @ 100KHz 0.1V 8mA DC Bias
- Insertion Loss:
-1.0dB MAX @ 1.0-100MHz
- Return Loss:
-18dB MIN @ 1-30MHz
-15dB MIN @ 30-60MHz
-12dB MIN @ 60-80MHz
-10dB MIN @ 80-100MHz
- Cross talk:
-40dB MIN @ 30MHz
-35dB MIN @ 60MHz
-30dB MIN @ 100MHz
- Common Mode Rejection:
-40dB MIN @ 30MHz
-35dB MIN @ 60MHz
-30dB MIN @ 100MHz
- Hipot: 1500Vrms
- LED Lamp:
Wave Length: GREEN/YELLOW: 570nm/590nm
Forward Voltage(Vf):
1.8V-2.4V (Test Condition: 20mA)
- Operating Temperature Range: 0°C TO 70°C

GREEN/LEFT LED



YELLOW/RIGHT LED



X:X	± 0.25	APPD:	Trxcom	
X:XX	± 0.20	CHKD:	ShenZhen Trxcom Electronics Co.,ltd	
X:XXX	± 0.05	DR: Leo	TITLE: RJ45 Connector with 10/100 Base-T Integrated Magnetics	
ANGLES	$\pm 1^\circ$	UNIT: mm	PART NO.: TRJ0011ABNL	
	SCALE: 2/1	SHEET: 2/2	REV: A	DWG NO.: TRC08121203