

REVISION RECORD				
REV	ECN	DESCRIPTION	DRFT	DATE

Technical characteristics:  
 Specifications  
 DIN EN 60 664-1  
 DIN EN 61 984

Inserts

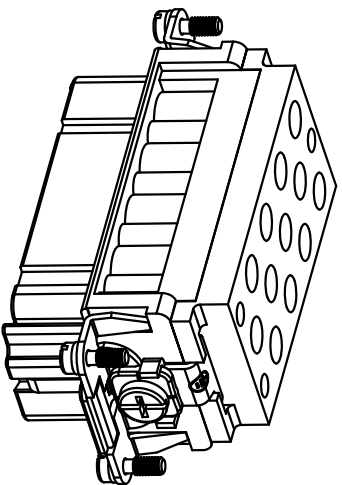
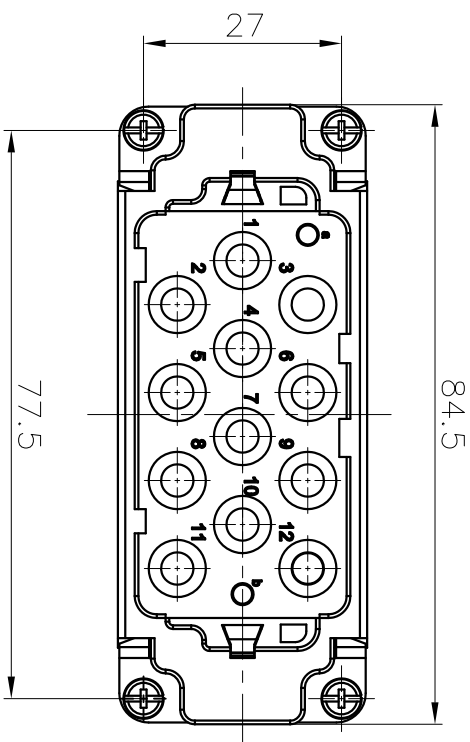
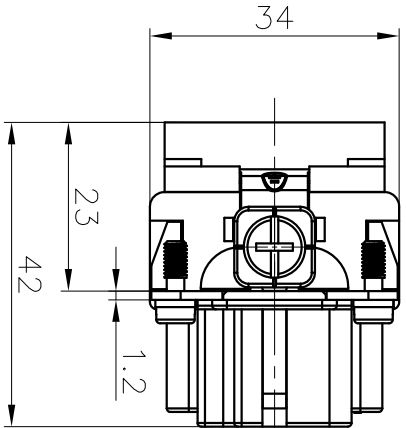
- 01. Number of contacts :12/2+PE
- 02. Rated Current :40A/10A
- 03. Rated Voltage :690V/250V
- 04. Pollution degree :3
- 05. Rated impulse voltage :8kV/4kV
- 06. Insulation resistance :≥10Ω
- 07. Material:Polycarbonate
- 08. Rated voltage acc. to UL/CSA:600V/300V
- 09. Limiting temperatures : -40°C ~+25°C
- 10. Flammability acc. to UL94:V0
- 11. Mechanical working life (mating cycles) : ≥500

Contacts

- Power contacts
- 01. Material:Copper alloy
- 02. Surface:hard-Silver plated
- 03. Contact resistance : ≤0.3mΩ
- 04. Terminal :Crimp terminal
- 05. Wire gauge : 1.5-6mm<sup>2</sup> (AWG16-10)
- 06. Stripping length :9mm

Signal contacts

- 01. Material:Copper alloy
- 02. Surface:hard-silver plated
- 03. Contact resistance : ≤3mΩ
- 04. Terminal :Crimp terminal
- 05. Wire gauge : 0.14-2.5mm<sup>2</sup> (AWG26-14)
- 06. Stripping length :6-8mm
- 07. Rohns Compliance



DETACHED LISTS			
PART NO.:	/	NINGBO DEGSON ELECTRICAL CO., LTD	
APPD:		宁波高松电子有限公司	
CHKD:		DK-12/2-FC	
DRFT:	Mr. Yang 2016.10.08	TITLE: CUSTOMER DRAWING	REV DO-1
THIRD ANGLE PROJECTION		DRAWING NO.:	SHEET 1/1
		DO NOT SCALE DRAWING	SCALE 1:1