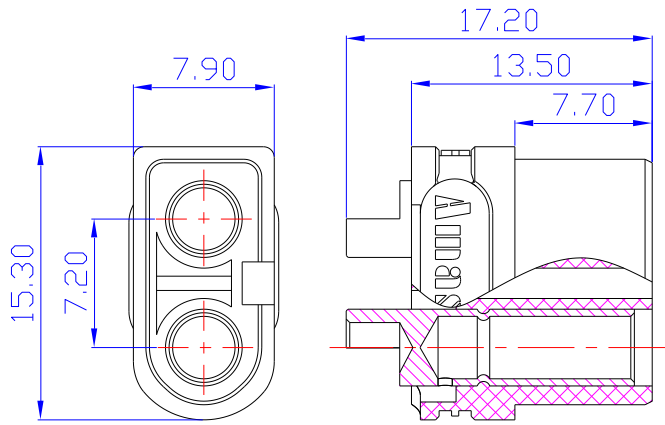


AMASS

(Item No): XT60U-F

(Drawing)



■ (Material & Parameter)

Item No.	XT60U-F	CR	0.45mΩ
COLOR	<b>2</b> <b>3</b>		DC 500V
Metal Material	Brass Gold Plated	RC	30A
Plastic Material	PA	MC	60A
FR LEVEL	UL94 V0	USE TIMES	1000 TIMES
Recommend USE	BATTERY	Cable SPEC.	12AWG
CERTIFICATION	CE/UL	TEMPERATURE	-20°C to 120°C

★ (Data sheet will change according with the test background)