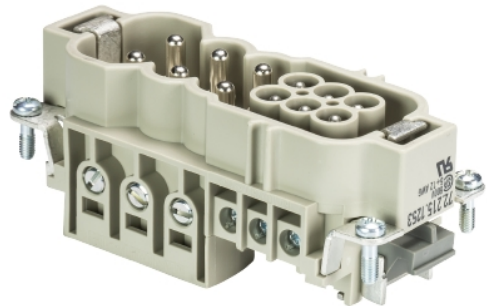


Data sheet

Commercial Art.No.: 72.215.1253.0

Male insert POW STS 6/6 GC CA AG

revos POWER 6-/6 pole + ground, male insert 690V/400V/6x40A + 400V/230V/6x16A, screw connection



Commercial Art.No.	72.215.1253.0
EAN	4015573226814
Order Unit	10

Certificates / Approvals



Technical data

General

Model	Pin insert
Inflammability class of insulation material acc. with UL94	HB
Color	Grey
Mating cycles	200
Pollution degree	3
Modular version	No
Alternative size	16
Operating temperature range min.	-40 °C
Operating temperature range max.	120 °C

Connection Data

Connection type	screw connection
Number of poles	6
Plus switching contacts	0
Number of pole for rated current 2	6
Number of pole for rated current 3	0
Total number of poles (without ground contact)	12
With wire protection	yes
Min. conductor diameter rigid (solid/stranded)	1 mm ²
Max. conductor diameter rigid (solid/stranded)	10 mm ²
Protective contact	yes

Technical Data UL/CSA

Rated voltage according to UL/CSA	600 V
Rated current according UL	40 A
Rated current according CSA	40 A
Min. conductor cross section flexible wire	1 mm ²

Max. conductor cross section flexible wire	10 mm ²
Conductor cross section flexible AWG wire	16-6 AWG

Model

With housing	No
--------------	----

Contacts

Contact material	Copper alloy
Surface	Silver-plated
Contact resistance	≤ 1.5 mOhm
Wire strip length	10 mm

Screws head design/recomm. Torque

Mounting screws	H1/0.5-0.7 Nm
Clamping screws	H1/0.5-0.7 Nm
Ground conductor screws	M5/2.0-2.5 Nm Slot

Technical Data DIN EN 61984

Nominal voltage	690 V
Rated voltage 2	400 V
Rated voltage face/ground	400 V
Nominal current	40 A
Rated current 2	16 A
Rated impulse voltage	4 kV

Classification

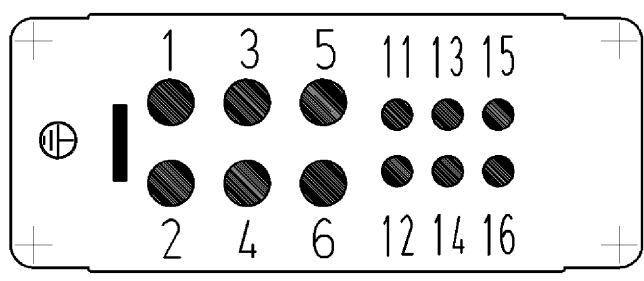
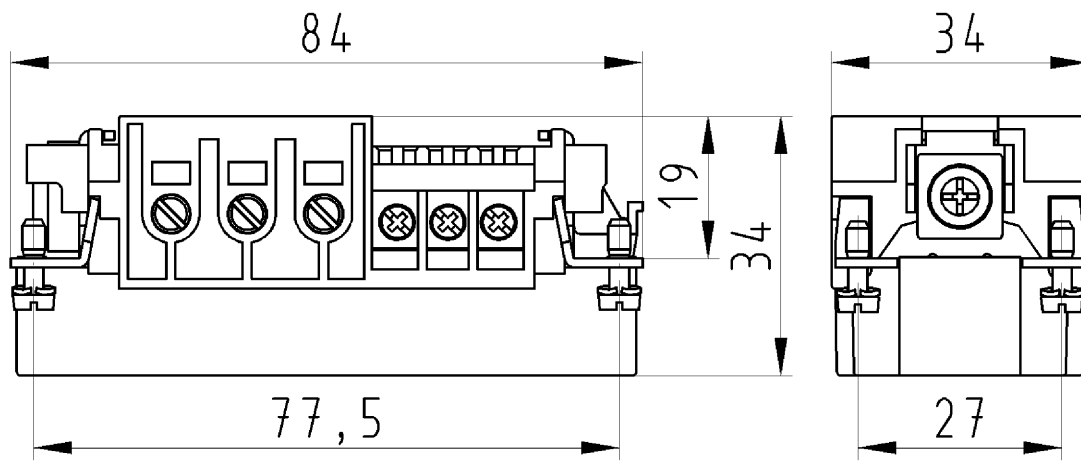
ECLASS 11	
ECLASS 8.1	27440205
ETIM 7.0	EC000438
ETIM 6.0	EC000438
ETIM 5.0	EC000438
ETIM 4.0	EC000438
ETIM 3.0	EC000438

Product compliance

ROHS conformity status	Compliant/Exempted
ROHS exceptions	III-6(c)
REACH-SVHC conformity status	Duty-To-Declare
REACH-SVHC substances	Lead
REACH-SVHC CAS numbers	7439-92-1

Fits with

Commercial Art.No.:	Article-type description:	Description:
72.205.1253.0	Female insert POW BUS 6/6 GC CA AG	revos POWER 6-/6 pole + ground, female insert 690V/400V/6x40A + 400V/230V/6x16A, screw connection
72.250.1635.2	Hood POW GOT GA 16 M40 69 A2	Hood revos basic made of aluminum, for double locking lever or screw cap with nozzle M40 on the right side, low version, 16-poles



Weitergabe sowie Vervielfältigung dieses Dokuments, Verwertung und Mitteilung
 seines Inhalts sind verboten, soweit nicht ausdrücklich gestattet.
 The reproduction, distribution and utilization of this document as well as the
 communication of its contents to others without express authorization is prohibited.

Steckereinsatz
72.215.1253.0

Zeichnungsnummer
72.215.1253.010W
Steckereinsatz

14.11.2007
Schreiber Patrick
M 1:1