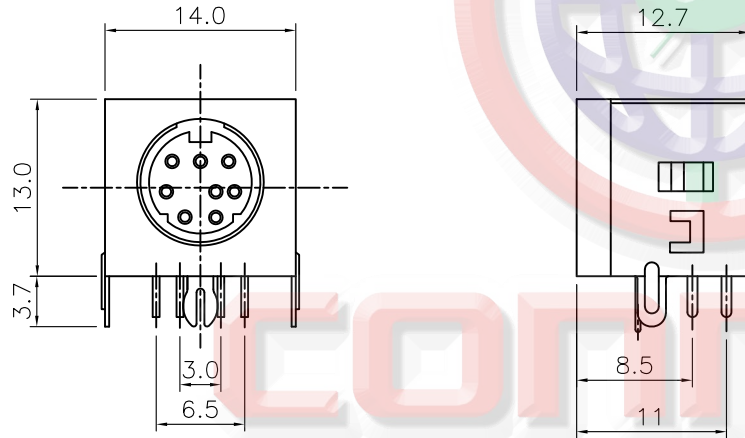


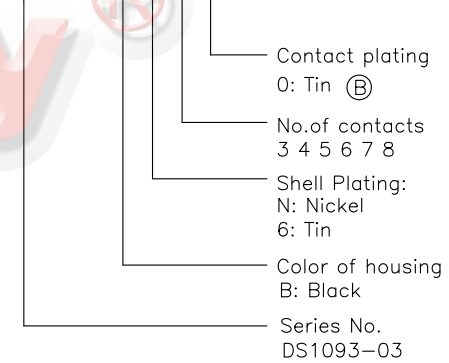
REV.	DESCRIPTION	DRAWN	CHECKED	APPROVED
A	NEW RELEASE	LJH 07/17/05'		LJC 07/17/05'
B	Plating description change	JLZ 07/20/15'		



NOTES:

- SPECIFICATIONS:
 - VOLTAGE RATING: 30V DC.
 - CONTACT CURRENT RATING: 1A MAX. PER PIN.
 - CONTACT RESISTANCE: 30 MILLIOHMS MAX.
 - DIELECTRIC WITHSTANDING VOLTAGE: 500V AC(rms) FOR 1 MINUTE.
 - INSULATION RESISTANCE: 1000 MEGAOHMS MIN.
 - OPERATING TEMPERATURE: -40°C~+105°C.

2. PRODUCT NUMBER CODE:
DS1093-03 - X X X X



Tel:86-574-63508787

Fax:86-574-63510817

E-mail:sale@connfly.com

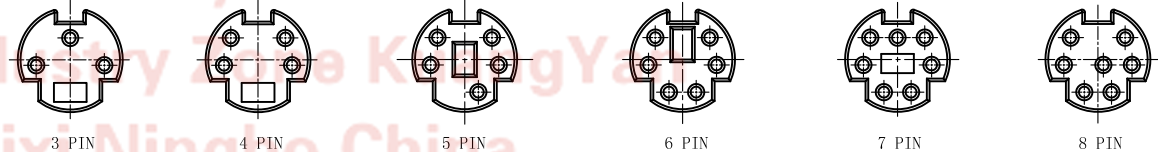
www.connfly.com

Address: East Industry Zone, King Ya

Town Cixi Ningbo China

P.C:215333

RECOMMEND PCB LAYOUT(TOLERANCE=±0.05)



GENERAL TOLERANCE		ANGLE TOLERANCE		PROJECTION	TITLE
X.	±0.60	X.	±5°		MINI DIN 901 TYPE
.X	±0.38	.X	±3°	mm	
.XX	±0.25	.XX	±2°	A4	
DRAWING TYPE				CUSTOMER	
SCALE		1:1	SHEET		1 OF 1
DRAWING NO.		C-DS1093-03-XXXX-B			
晨翔电子有限公司 CONNFLY CONNFLY ELECTRONIC CO. LTD					