

Switch

Toggle Switch Series

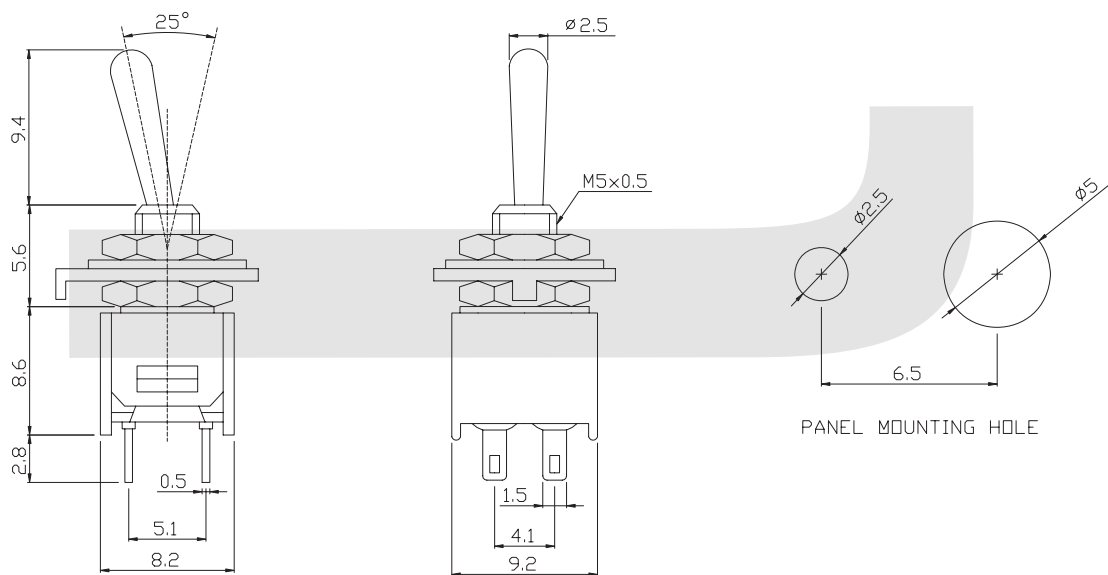
KLS7-SMS-201-2A1 Toggle Switch Series

SPECIFICATIONS

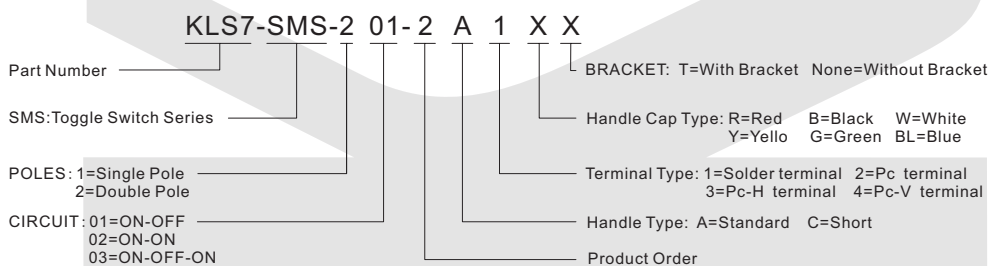
- Rating: 3A 125VAC; 1A 250VAC
- Contact Resistance: 20MΩ max
- Insulation Resistance: 500V DC 1000MΩ Min
- Dielectric Strength: 1000V AC 1 Minute
- Operating Temperature: -25°C~+65°C
- Electrical Life :20,000 cycles



VII



ORDER INFORMATION



Switch

Toggle Switch Series

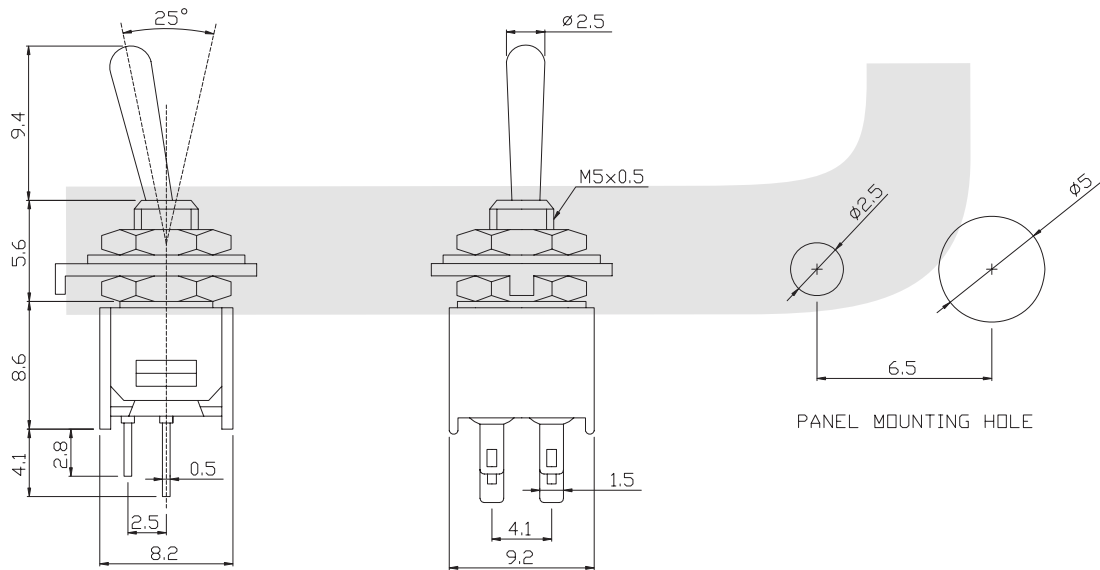
KLS7-SMS-201-A1 Toggle Switch Series

SPECIFICATIONS

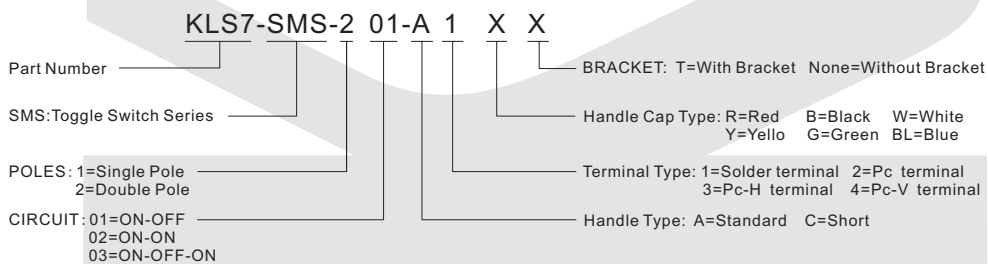
- Rating: 3A 125VAC; 1A 250VAC
- Contact Resistance: 20MΩ max
- Insulation Resistance: 500V DC 1000MΩ Min
- Dielectric Strength: 1000V AC 1 Minute
- Operating Temperature: -25°C~+65°C
- Electrical Life :20,000 cycles



VII



ORDER INFORMATION



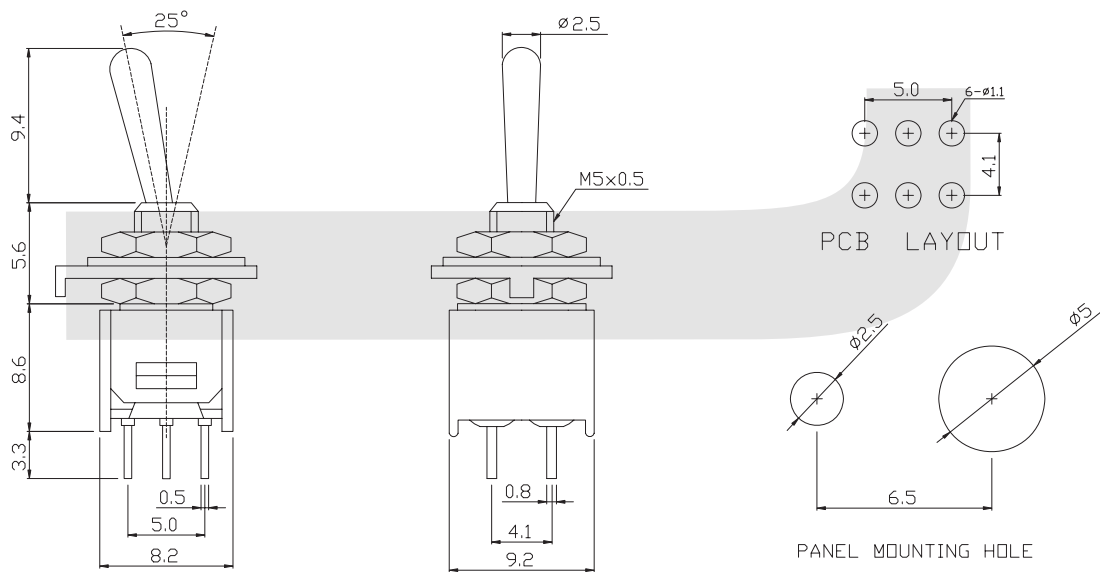
Switch

Toggle Switch Series

KLS7-SMS-202-A2 Toggle Switch Series

SPECIFICATIONS

- Rating: 3A 125VAC; 1A 250VAC
- Contact Resistance: 20MΩ max
- Insulation Resistance: 500V DC 1000MΩ Min
- Dielectric Strength: 1000V AC 1 Minute
- Operating Temperature: -25°C~+65°C
- Electrical Life :20,000 cycles



ORDER INFORMATION

