

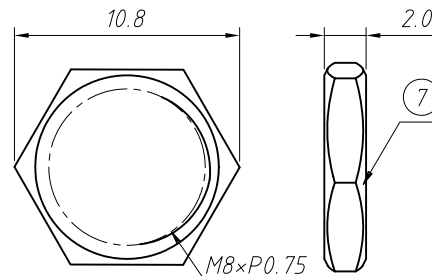
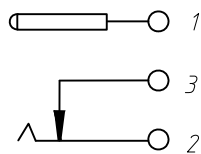
T:16 Dimensions of PC board holes
Tolerance:±0.1 (Printed-top view)
Unless Otherwise Specified, Tolerance On Decimal:±0.3

PIN	∅2.0	∅2.5
APPD		

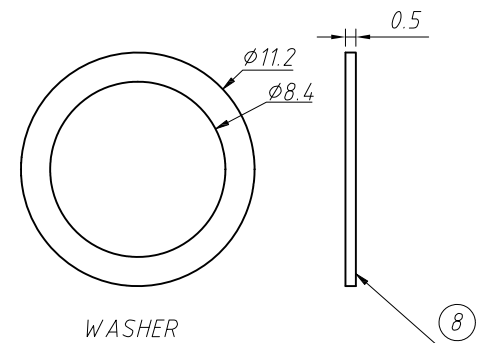
SPECIFICATION

Rated Load:DC 30V 0.5A
Contact resistance:30mΩ, max
Insulation resistance:100MΩ, min
Withstand Voltage:AC500V
Actuating Force:3-20N
Life:5000 cycles
Operating Temperature:-30°C-70°C

SCHEMATIC



NUT



WASHER

NO.	Description	QTY	Material	Plating
1	Flat Piece	1	H62 Brass	MB:Cu Cu/Sn Plating
2	Curve Piece	1	Phosphor Bronze	MB:Cu Cu/Sn Plating
3	Spring	1	Phosphor Bronze	MB:Cu Cu/Sn Plating
4	PIN	1	H59 Brass	MB:Cu Ni Plating
5	Axis Support	1	H59 Brass	MB:Cu Ni Plating
6	Housing	1	PA66	---
7	Nut	1	H59(Copper Alloy)	MB:Cu Ni Plating
8	Washer	1	H59(Copper Alloy)	MB:Cu Ni Plating

GENERAL TOLERANCE	PROJECTION		Description:
.X ±0.50	UNITS	mm	DC POWER Jack DIP
.X ±0.25	SCALE	1:1	
.XX ±0.10	Draw by:	Jenny	
ANGLE TOLERANCE	Check by:		KLS P/N: L-KLS1-DC-025A
.X ±5°	Date	2019-03-01	NingBo KLS ELECTRONIC CO.,L TD.
.X ±3°	SHEET	1 OF 1	
.XX ±2°			