

Data sheet

Commercial Art.No.: 70.353.1635.3

Hood BAS GOT GA 16 M32 A3

Hood revos basic made of aluminum, for double locking lever or. screw cap with trumpet gland M32 on the right side (IP54), low version, 16-poles



| | |
|--------------------|---------------|
| Commercial Art.No. | 70.353.1635.3 |
| EAN | 4015573652576 |
| Order Unit | 1 |

Certificates / Approvals



Technical data

General

| | |
|--|---------------------|
| Housing material | aluminum |
| Color | Grey |
| Surface | With powder coating |
| Degree of protection (IP) | IP54 |
| UV resistant | yes |
| Inflammability class of insulation material acc. with UL94 | Other |
| Operating temperature range min. | -40 °C |
| Operating temperature range max. | 120 °C |

Model

| | |
|------------------------|-----------------------|
| Construction | 16 |
| Locking mechanism | Double locking levers |
| Cable entry | Sideways |
| Type of cable | Gland nut |
| With cable screw gland | yes |
| Thread size M | 32 |
| Thread size PG | |
| Hinged lid | No |
| EMC-version | No |
| Length | 94 mm |
| Width | 56 mm |
| Height | 60 mm |

Classification

| | |
|------------|----------|
| ECLASS 11 | |
| ECLASS 8.1 | 27440202 |
| ETIM 7.0 | EC000437 |
| ETIM 6.0 | EC000437 |
| ETIM 5.0 | EC000437 |

Product compliance

| | |
|------------------------|--------------------|
| ROHS conformity status | Compliant/Exempted |
|------------------------|--------------------|

| | |
|------------------------------|-----------------|
| ROHS exceptions | III-6(c) |
| REACH-SVHC conformity status | Duty-To-Declare |
| REACH-SVHC substances | Lead |
| REACH-SVHC CAS numbers | 7439-92-1 |

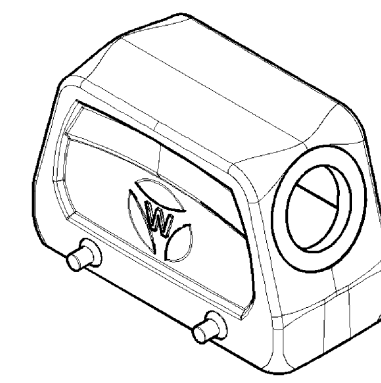
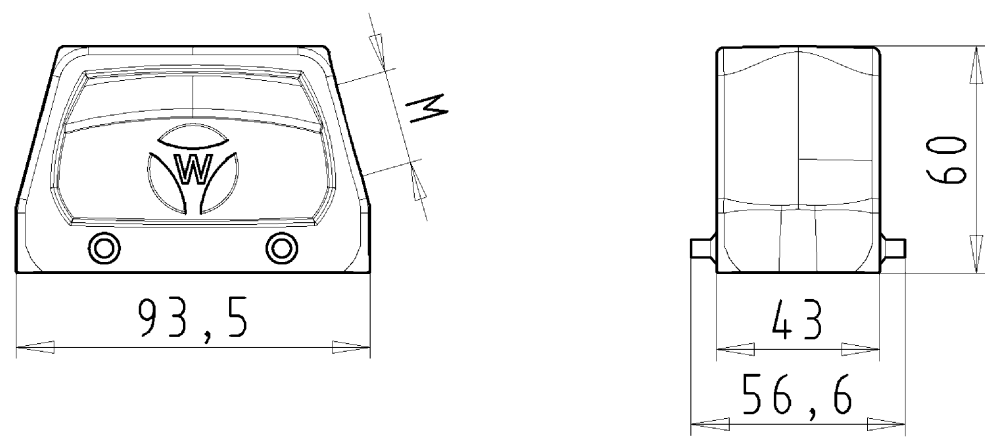
Fits with

| Commercial Art.No.: | Article-type description: | Description: |
|---------------------|------------------------------------|--|
| 70.300.1602.0 | Female insert BAS BUS 16 2,5 50 AG | Female insert revos basic, 16-poles, rated current: 16A, rated voltage:500V, with silver-plated contacts |
| 70.300.1640.0 | Female insert BAS BUS 16 2,5 50 | Female insert revos basic, 16-poles, rated current: 16A, rated voltage:500V, with tin-plated contacts |
| 70.301.1640.0 | Female insert BAS BUS 16 2,5 50 AU | Female insert revos basic, 16-poles, rated current: 16A, rated voltage:500V, with gold-plated contacts |
| 70.302.1640.0 | Female insert BAS BUS OD 16 2,5 50 | Female insert revos basic, 16-poles, rated current: 16A, rated voltage:500V, with tin-plated contacts |
| 70.310.1602.0 | Male insert BAS STS 16 2,5 50 AG | Male insert revos basic, 16-poles, rated current: 16A, rated voltage: 500V, with silver-plated contacts |
| 70.310.1640.0 | Male insert BAS STS 16 2,5 50 | Male insert revos basic, 16-poles, rated current: 16A, rated voltage: 500V, with tin-plated contacts |
| 70.311.1640.0 | Male insert BAS STS 16 2,5 50 AU | Male insert revos basic, 16-poles, rated current: 16A, rated voltage: 500V, with gold-plated contacts |
| 70.312.1640.0 | Male insert BAS STS OD 16 2,5 50 | Male insert revos basic, 16-poles, rated current: 16A, rated voltage: 500V, with tin-plated contacts |
| 70.500.1653.0 | Female insert BAS BUF 16 2,5 50 | Female insert revos basic, 16-poles, rated current: 16A, rated voltage:500V, with silver-plated contacts |
| 70.510.1653.0 | Male insert BAS STF 16 2,5 50 | Male insert revos basic, 16-poles, rated current: 16A, rated voltage: 500V, with tin-plated contacts |
| 70.700.1658.0 | Female insert BAS BUC 16 50 | Female insert revos basic, 16-poles, rated current: 16A, rated voltage:500V, with tin-plated contacts |
| 70.710.1658.0 | Male insert BAS STC 16 50 | Male insert revos basic, 16-poles, rated current: 16A, rated voltage: 500V, with tin-plated contacts |
| 70.800.3256.0 | Female insert BAS BUCK 32 50 PC | Female insert revos basic, 32-poles, polycarbonate insert, rated current: 16A, rated voltage: 500V, with gold-plated or silver-plated contacts |
| 70.810.3256.0 | Male insert BAS STCK 32 50 PC | Male insert revos basic, 32-poles, polycarbonate insert, rated current: 16A, rated voltage: 500V, with gold-plated or silver-plated contacts |
| 70.400.0640.0 | Female insert BAS BUS 6 2,5 64 | Female insert revos basic, 6-poles, rated current: 16A, rated voltage: 690V, with tin-plated contacts |
| 70.410.0640.0 | Male insert BAS STS 6 2,5 64 | Male insert revos basic, 6-poles, rated current: 16A, rated voltage: 690V, with tin-plated contacts |
| 72.300.1653.0 | Female insert BAS BUS 16 2,5 69 | Female insert revos basic, 16-poles, rated current: 16A, rated voltage:690V, with tin-plated contacts |
| 72.310.1653.0 | Male insert BAS STS 16 2,5 69 | Male insert revos basic, 16-poles, rated current: 16A, rated voltage: 690V, with tin-plated contacts |
| 72.700.1658.0 | Female insert BAS BUC 16 69 | Female insert revos basic, 16-poles, rated current: 16A, rated voltage:690V, with tin-plated contacts |
| 72.710.1658.0 | Male insert BAS STC 16 69 | Male insert revos basic, 16-poles, rated current: 16A, rated voltage: 690V, with tin-plated contacts |
| 73.800.7253.0 | Female insert DD BUC 72 1,5 25 | revos DD 72 pole + ground, female insert 250V/10A, crimp connection |
| 73.810.7253.0 | Male insert DD STC 72 1,5 25 | revos DD 72 pole + ground, male insert, 250V/10A, crimp connection |
| 70.200.0653.0 | Female insert POW BUS 6 6,0 40 AG | revos POWER 6 pole + ground, female insert 400V/35A, screw connection |

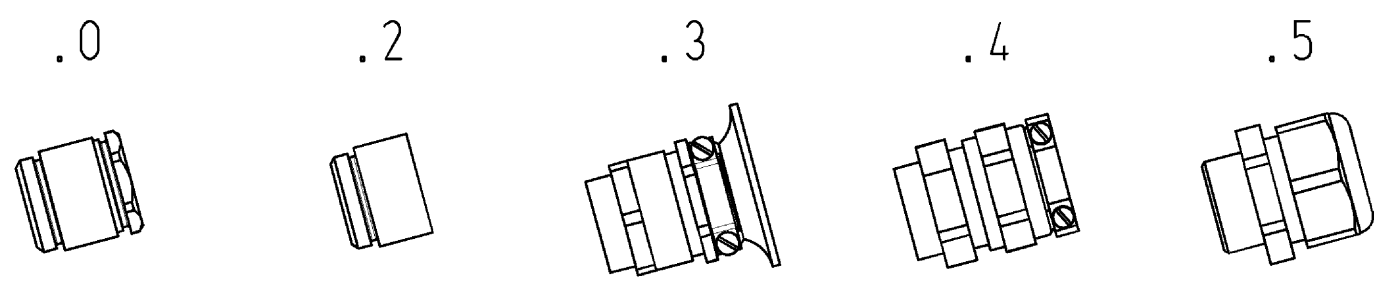
| | | |
|---------------|------------------------------------|--|
| 70.210.0653.0 | Male insert POW STS 6 6,0 40 AG | revos POWER 6 pole + ground, male insert 400V/35A, screw connection |
| 70.405.1653.0 | Female insert BAS BUP 16 2,5 50 AG | Female insert revos basic, 16-poles, rated current: 16A, rated voltage:500V, with silver-plated contacts |
| 70.415.1653.0 | Male insert BAS STP 16 2,5 50 AG | Male insert revos basic, 16-poles, rated current: 16A, rated voltage: 500V, with silver-plated contacts |

These dimensions will be especially checked at delivery
 Only inspection dimensions
 With /E marked dimensions are only valid for internal use

Diese Maße werden bei Abnahme besonders geprüft
 Ausschließlich Prüfmaße
 Mit /E gekennzeichnete Maße sind nur für interne Zwecke gültig



Varianten/ Variants



| | | | | | |
|---|---------------|------------|------------------------|---|----------------------------|
| 70.35 ³ ₀ .1635.5 | BAS GOT GA 16 | M32 M25 | A 5 | Kabelverschraubung(KV), IP65 /Cable gland(CG), IP65 | |
| 70.35 ³ ₀ .1635.4 | BAS GOT GA 16 | M32 M25 | A 4 | KV mit Zugentlastung, IP54 /CG with strain relief, IP54 | |
| 70.35 ³ ₀ .1635.3 | BAS GOT GA 16 | M32 M25 | A 3 | KV mit Zugentlastung und Knickschutz, IP54 /CG with strain relief and bend support, IP54 | |
| 70.35 ³ ₀ .1635.2 | BAS GOT GA 16 | M32 M25 | A 2 | Zwischenstützen /Bushing | |
| 70.35 ³ ₀ .1635.1 | BAS GOT GA 16 | M32 M25 | A 1 | Gewindebohrung /Thread hole | X |
| 70.35 ³ ₀ .1635.0 | BAS GOT GA 16 | M32 M25 | A 0 | Kabelverschraubung(KV), IP54 /Cable gland(CG), IP54 | |
| Bestellnummer /Order number | Typ /Type | | Varianten /Variants | | der- gestellt /drawn |

Weitere Daten siehe KATALOG oder eKatalog.
 Additional data see CATALOG or eCatalog.
www.wieland-electric.com
eshop.wieland-electric.com

| | | | | | | | |
|---|--|---|--|---|--|--|--|
| Tolerierung Size ISO 14405(☐)/Tolerance system Size ISO 14405(☐). (This ISO-standard describes the envelope principle. According to the envelope principle the deviations of form and parallelism are limited by the size tolerances). | | | | ja/yes <input checked="" type="checkbox"/> Stoffverbots- und Deklarationsliste nach UU-TQM-05/03 ist einzuhalten. Conformity with Wieland document UU-TQM-05/03 (list of prohibited / declaimable hazardous substances) to be declared! | | | |
| Freitoleranz nach General tolerance | | CAD - Zeichnung, keine manuellen Änderungen CAD - drawing, no manual modifications allowed | | 1.Verwendung: First Use: - | | Blatt: 1 von 1 Sheet: of 1 | |
| / | | Werkstoff/Material Aluminium beschichtet/ coated grau/ grey | | 2013 Tag/Date Name gezeichnet drawn 21.08. Treschan geprüft checked Normgepr. Stand. check | | Zeichnung Nr./Drawing No. Index T 70.350.1635.0 13K | |
| / | | Maßstab/Scale 1:2 | | Ersatz für/Replacement for: - | | Maße in mm/Dimensions are in mm | |
| / | | Vol. mm ³ Ofl./Surf. mm ² | | Type Benennung/Tittle revos BASIC GEHAEUSEBERTE IL | | Baugröße 16-Kabelabgang seitlich-M25/M32 Hood size 16-cable outlet side-M25/M32 | |
| / | | wieland Elektrische Verbindungen | | Index Datum / Blatt Date / Sheet | | Änderung/Revision | |

Weitergabe sowie Vervielfältigung dieses Dokuments, Verwertung und Mitteilung seines Inhalts sind verboten, soweit nicht ausdrücklich gestattet.
 The reproduction, distribution and utilization of this document as well as the communication of its contents to others without express authorization is prohibited.

703501635013K_2 CADW3028_Treschan 2013-09-201084900 1.000