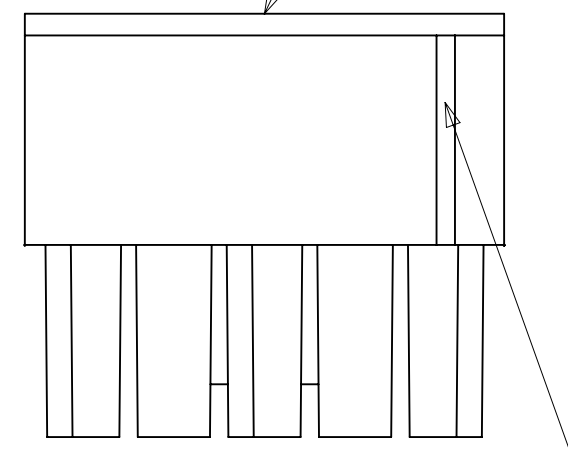
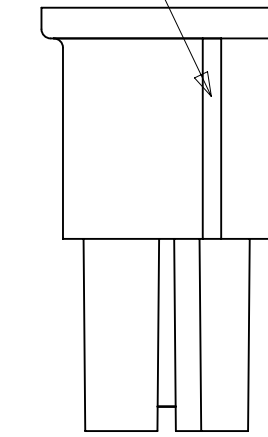
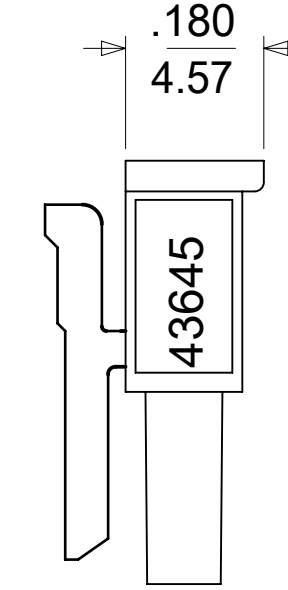
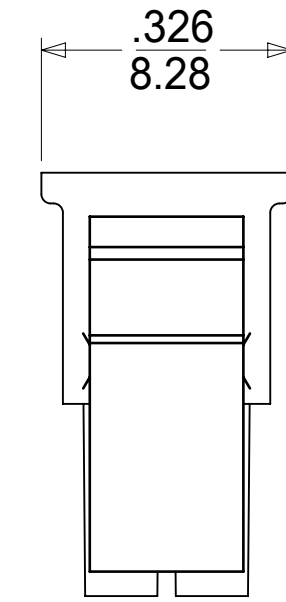


SEE NOTE 10

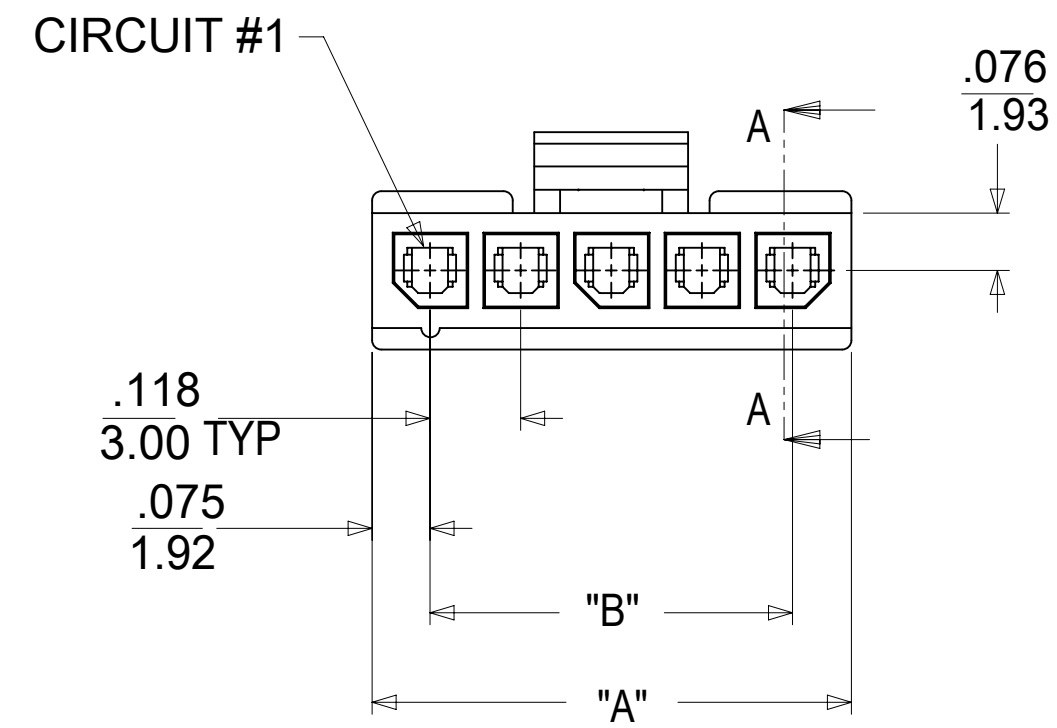


CIRCUIT #1 IDENTIFIER

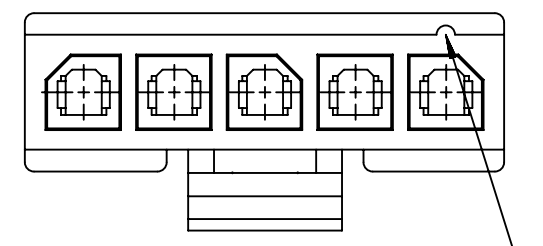
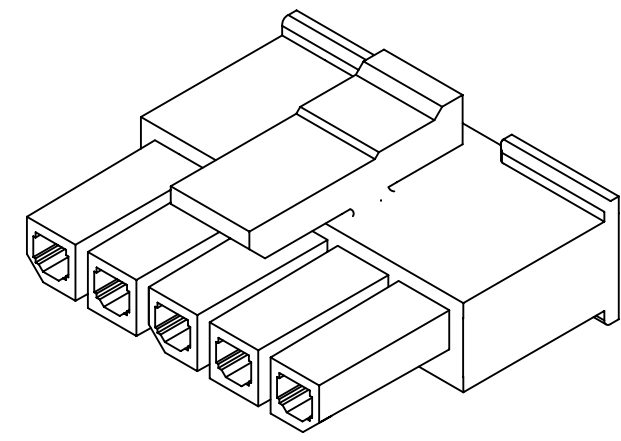


CIRCUIT #1 IDENTIFIER

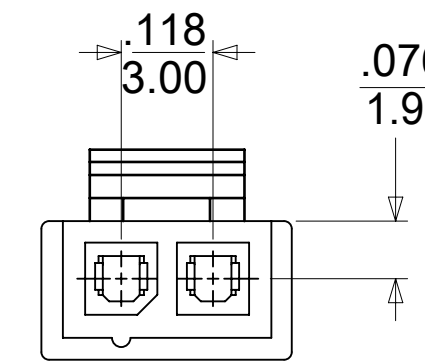
NOT RELEASED	ITEM NUMBER	NUMBER OF CIRCUIT	DIM. "A"	DIM. "B"
	43645-0208	02	SEE DETAIL	.118/(3.00)
	43645-0308	03	.388/(9.85)	.236/(6.00)
	43645-0408	04	.506/(12.85)	.354/(9.00)
	43645-0508	05	.624/(15.85)	.472/(12.00)
	43645-0608	06	.742/(18.85)	.591/(15.00)
X		07	.860/(21.85)	.709/(18.00)
X		08	.978/(24.85)	.827/(21.00)
X		09	1.096/(27.85)	.945/(24.00)
X		10	1.215/(30.85)	1.063/(27.00)
X		11	1.333/(33.85)	1.181/(30.00)
X		12	1.451/(36.85)	1.299/(33.00)



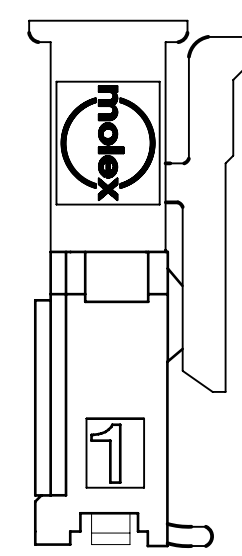
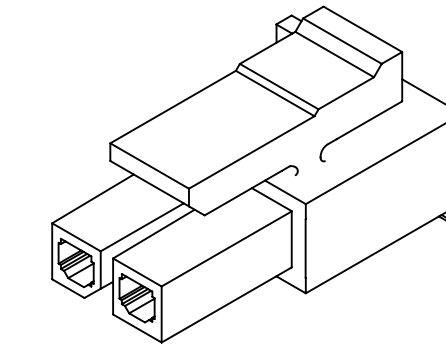
(3-12 CIRCUIT HOUSING)



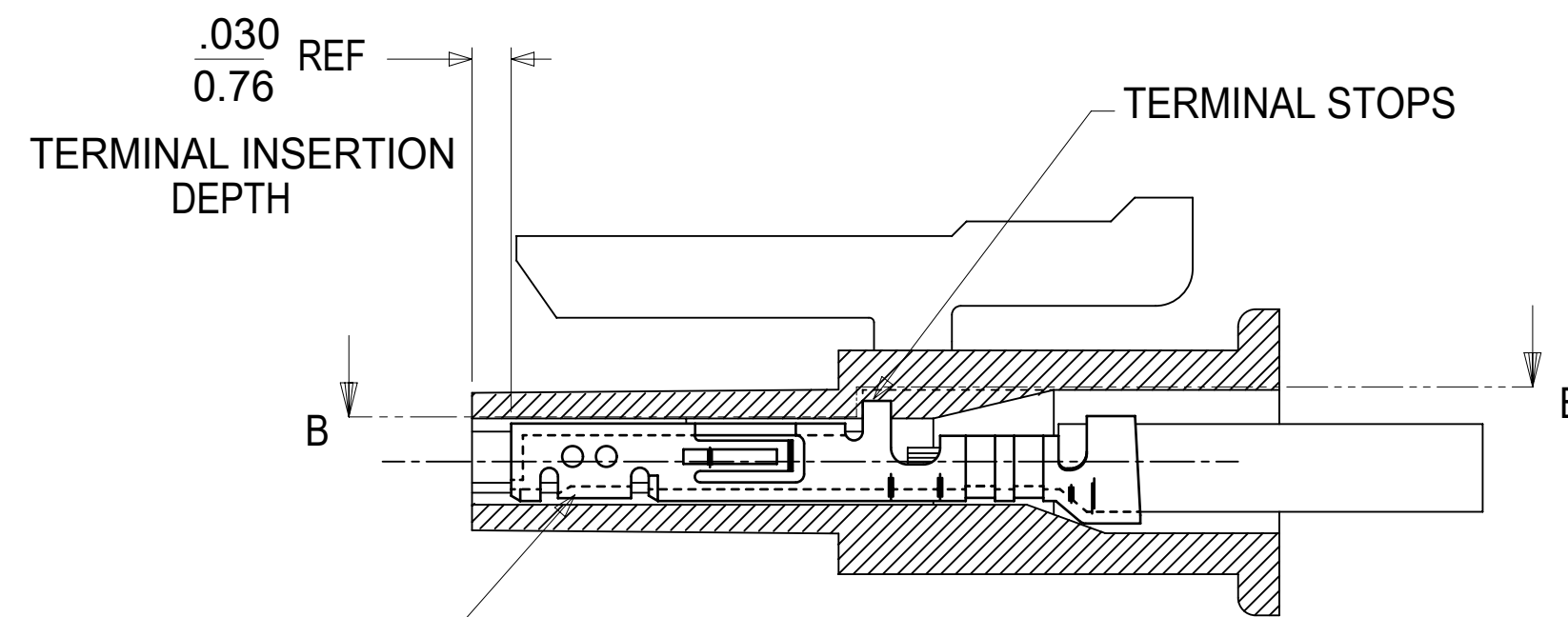
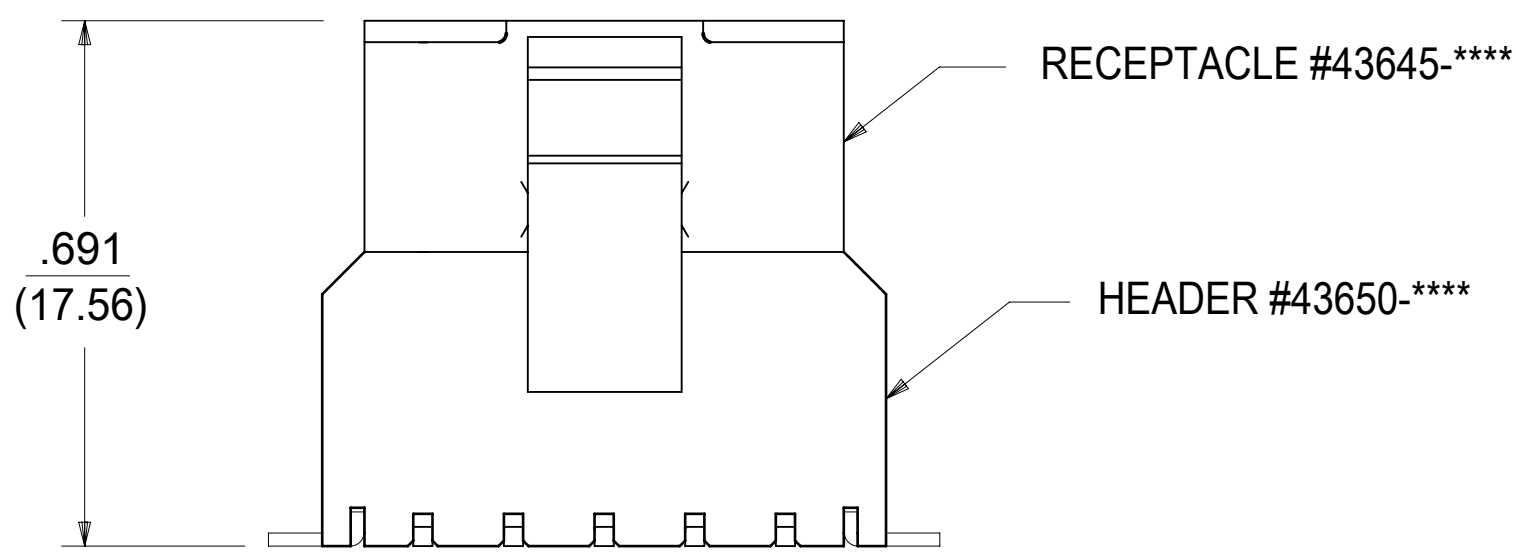
FIRST CIRCUIT IDENTIFIER RIB (ALL CIRCUIT SIZES)



(2 CIRCUIT HOUSING)

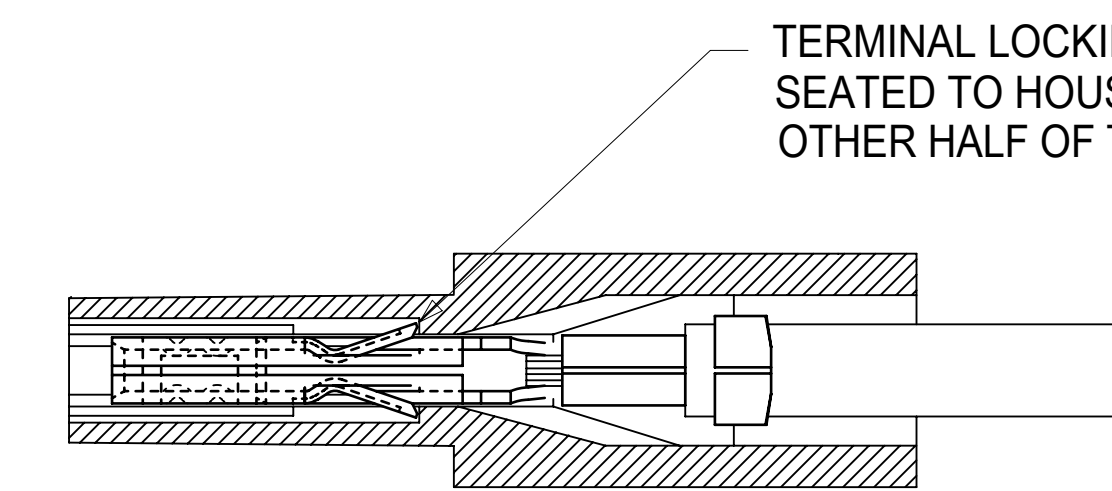


MATED MICRO-FIT CONNECTOR



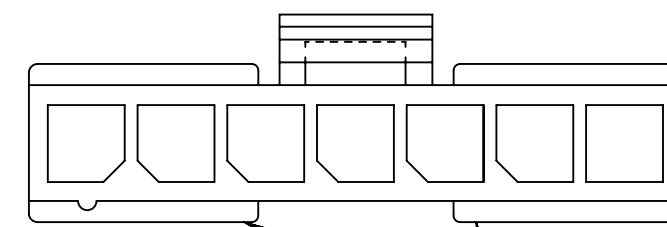
SECTION "A"- "A"

SHOWN WITH TERMINAL INSTALLED



SECTION "B"- "B"

- NOTES:
1. MATERIAL: UNFILLED NYLON, UL94V-0, COLOR - BLACK (LOW HALOGEN)
 2. FINISH : N/A
 3. PRODUCT SPECIFICATION : PS-43650
 4. PACKAGING SPECIFICATION: PK-43645-001
 5. THIS RECEPTACLE ACCEPTS MOLEX MICRO FIT FEMALE CRIMP TERMINALS SERIES 43030 OR 46235. SEE SECTION "A"- "A" FOR TERMINAL ORIENTATION IN HOUSING.
 6. FOR OVERMOLDING PARAMETERS SEE APPLICATION SPECIFICATION 430250000-AS.
 7. THIS RECEPTACLE MATES WITH MOLEX PCB HEADER 43650 SERIES AND MOLEX PLUG 43640 SERIES (WIRE TO WIRE APPLICATIONS).
 8. SOME HOUSINGS MAY HAVE A SMALL GATE BLEMISH NEAR THE GATE LOCATION THAT DOES NOT AFFECT FUNCTIONALITY.
 9. MOLEX RECOMMENDS THE USE OF MICRO-FIT TEST PLUG, SERIES 44242-**** WHENEVER CONTINUITY TESTING IS PERFORMED. TEST PLUGS MUST NOT BE USED TO MAKE OR BREAK UNDER LOAD. MOLEX DOES NOT RECOMMEND USING STANDARD MATING COMPONENTS FOR HARNESS TESTING PURPOSES.
 10. THIS RIB IS DISCONTINUOUS ON CIRCUIT SIZES 7 THROUGH 12
 11. THIS PART CONFORMS TO CLASS 'B' REQUIREMENTS OF COSMETIC SPECIFICATION PS-45499-002.
 12. TEXT ON PART IS FOR REFERENCE ONLY. TEXT AND TEXT LOCATION MAY VARY DEPENDING ON PART NUMBER AND/OR TOOL.



SEE NOTE 10

SYMBOLS		THIS DRAWING CONTAINS INFORMATION THAT IS PROPRIETARY TO MOLEX ELECTRONIC TECHNOLOGIES, LLC AND SHOULD NOT BE USED WITHOUT WRITTEN PERMISSION		CURRENT REV DESC: UPDATE NOTE 6	
▽ = 0	IN/MM	SCALE	NTS		
▽ = 0	GENERAL TOLERANCES (UNLESS SPECIFIED)		EC NO: 168740		
▽ = 0		MM	INCH	DRWN: AZAHIROVIC 2018/01/03	
▽ = 0	4 PLACES	±	±	CHK'D: SSOUSEK 2018/06/01	
▽ = 0	3 PLACES	±	± 0.01	APPR: FSMITH 2018/06/01	
▽ = 0	2 PLACES	±	0.25 ± 0.014	INITIAL REVISION:	
▽ = 0	1 PLACE	±	0.35 ±	DRWN: MKIPPER 2008/01/21	
▽ = 0	0 PLACES	±	±	APPR: FSMITH 2016/08/12	
▽ = 0	ANGULAR TOL		± 0.5 °	DRAFT WHERE APPLICABLE MUST REMAIN WITHIN DIMENSIONS	
▽ = 0	THIRD ANGLE PROJECTION		D-DRAWING SERIES		
▽ = 0	D-DRAWING		D-SIZE 43645		
DOCUMENT NUMBER		DOC TYPE		DOC PART	
SD-43645-001		PSD		001 A5	
MATERIAL NUMBER		CUSTOMER		SHEET NUMBER	
SEE CHART		GENERAL MARKET		1 OF 1	