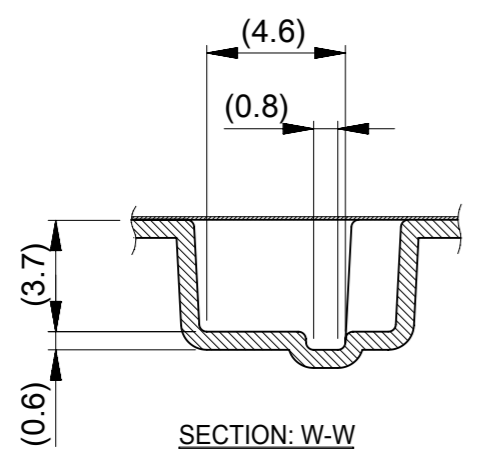
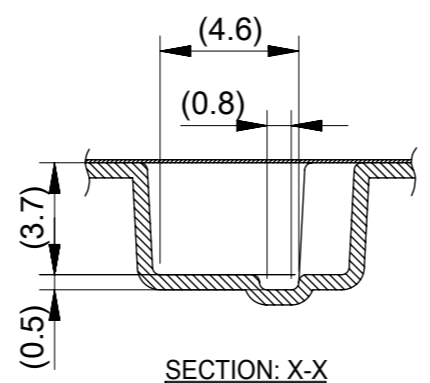


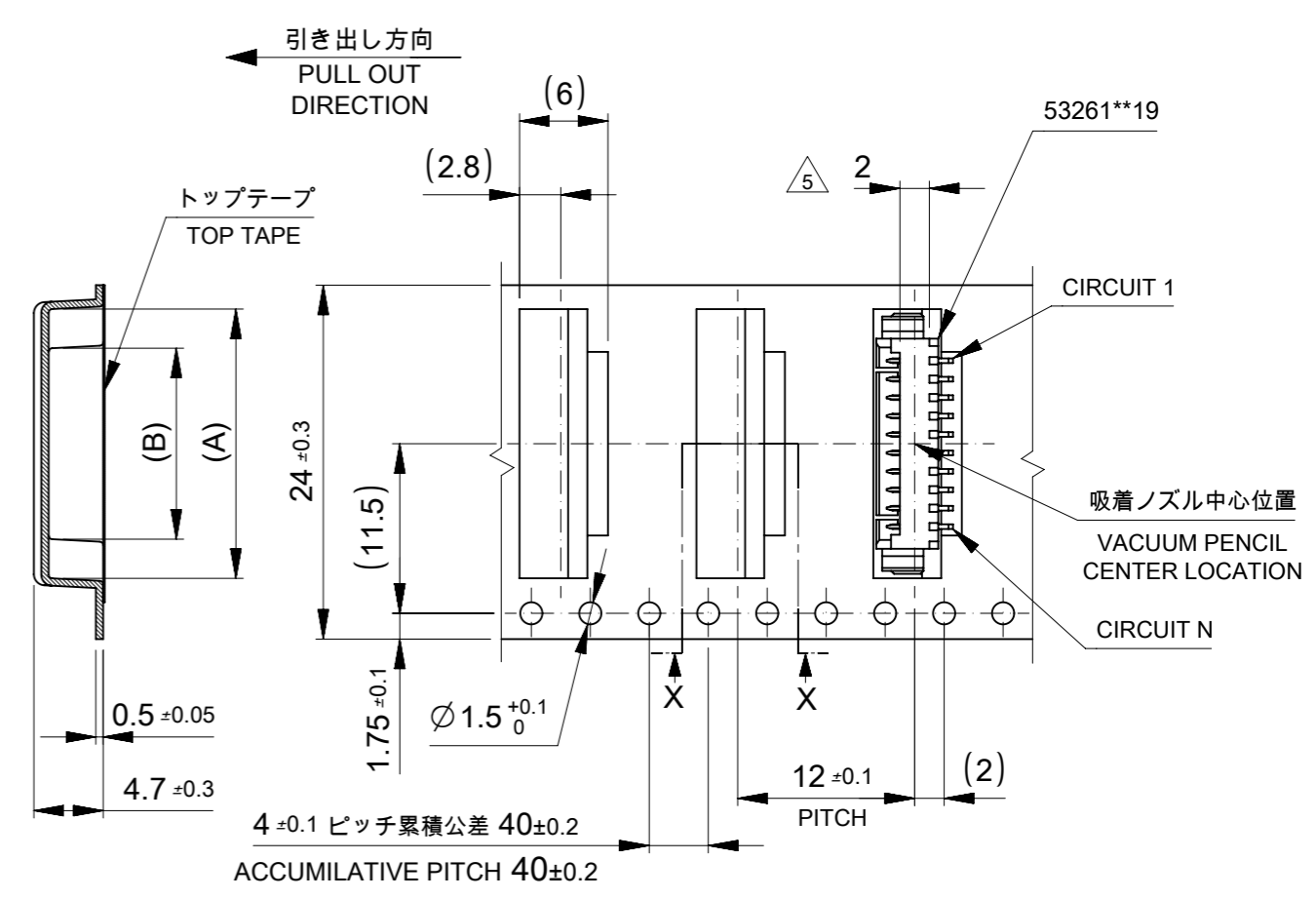
32mm幅キャリアテープ
32mm WIDTH CARRIER TAPE



SECTION: W-W



SECTION: X-X

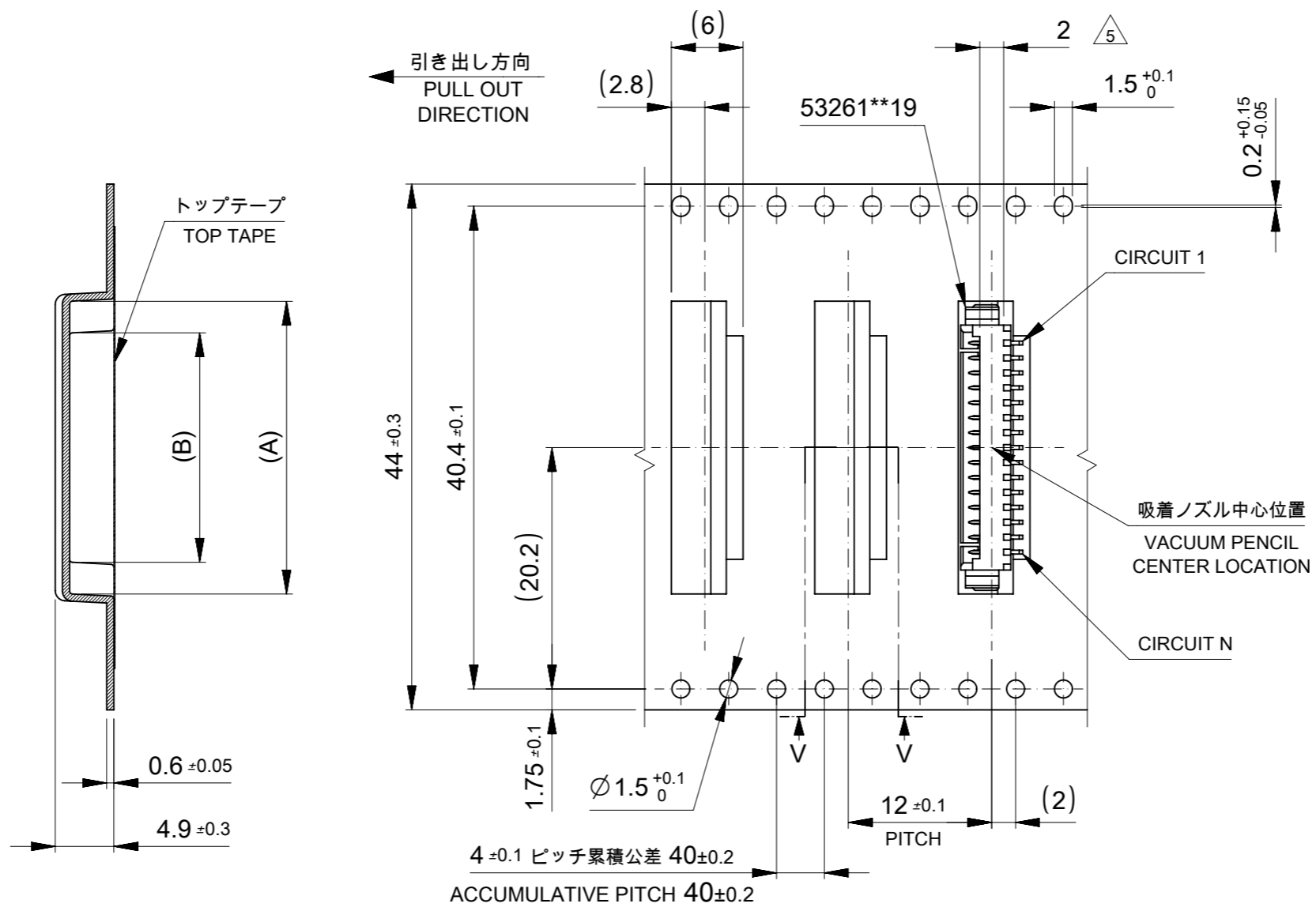


24mm幅キャリアテープ
24mm WIDTH CARRIER TAPE

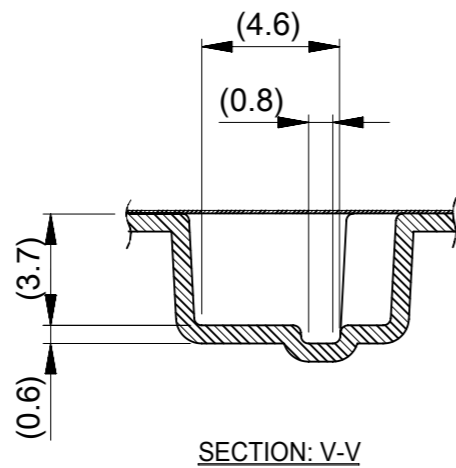
32	37.4	33.4	16.2	22	532611371	13	
			14.95	20.75	532611271	12	
			13.7	19.5	532611171	11	
24	29.4	25.4	12.45	18.25	532611071	10	
			11.2	17	532610971	9	
			9.95	15.75	532610871	8	
			8.7	14.5	532610771	7	
			7.45	13.25	532610671	6	
			6.2	12	532610571	5	
			4.95	10.75	532610471	4	
キャリアテープ幅 CARRIER TAPE WIDTH		D	C	B	A	EMBOSSD TAPE PACKAGE オーダー番号 ORDER NO.	極数 CIRCUIT

THIS DRAWING CONTAINS INFORMATION THAT IS PROPRIETARY TO MOLEX ELECTRONIC TECHNOLOGIES, LLC AND SHOULD NOT BE USED WITHOUT WRITTEN PERMISSION

DIMENSION UNITS mm	SCALE NTS	CURRENT REV DESC:		molex		
GENERAL TOLERANCES (UNLESS SPECIFIED)						
ANGULAR TOL ± 3.0°		EC NO: 650782		PRODUCT CUSTOMER DRAWING		
4 PLACES ± 0.2		DRWN: QHE31	2020/12/05	DOCUMENT NUMBER		
3 PLACES ± 0.2		CHK'D: SAKIYAMA	2020/12/07	DOC TYPE		
2 PLACES ± 0.2		APPR: KOMURAKAMI	2020/12/07	DOC PART		
1 PLACE ± 0.2		INITIAL REVISION:		REVISION		
0 PLACES ± 0.2		DRWN: HSHIMABUKURO	2004/02/20	SD-53261-023		
		APPR: MSASAO	2004/02/20	PSD 001 G		
DRAFT WHERE APPLICABLE MUST REMAIN WITHIN DIMENSIONS	THIRD ANGLE PROJECTION	DRAWING	SERIES	MATERIAL NUMBER	CUSTOMER	SHEET NUMBER
		A3-SIZE	53261	SEE CHART	GENERAL MARKET	2 OF 4



44mm幅キャリアテープ
44mm WIDTH CARRIER TAPE



44	49.4	45.4	21.2	27	532611771	17
			18.7	24.5	532611571	15
			17.45	23.25	532611471	14
キャリアテープ幅 CARRIER TAPE WIDTH	D	C	B	A	EMBOSSED TAPE PACKAGE	極数 CIRCUIT
					オーダー番号 ORDER NO.	

THIS DRAWING CONTAINS INFORMATION THAT IS PROPRIETARY TO MOLEX ELECTRONIC TECHNOLOGIES, LLC AND SHOULD NOT BE USED WITHOUT WRITTEN PERMISSION		CURRENT REV DESC:		molex			
DIMENSION UNITS	SCALE						
mm	NTS			PRODUCT CUSTOMER DRAWING			
GENERAL TOLERANCES (UNLESS SPECIFIED)		EC NO: 650782		DOCUMENT NUMBER			
ANGULAR TOL ± 3.0 °		DRWN: QHE31 2020/12/05		SD-53261-023			
4 PLACES ± 0.2		CHK'D: SAKIYAMA 2020/12/07		DOC TYPE DOC PART REVISION			
3 PLACES ± 0.2		APPR: KOMURAKAMI 2020/12/07		PSD 001 G			
2 PLACES ± 0.2		INITIAL REVISION:					
1 PLACE ± 0.2		DRWN: HSHIMABUKURO 2004/02/20					
0 PLACES ± 0.2		APPR: MSASAO 2004/02/20					
DRAFT WHERE APPLICABLE MUST REMAIN WITHIN DIMENSIONS		THIRD ANGLE PROJECTION	DRAWING	SERIES	MATERIAL NUMBER	CUSTOMER	SHEET NUMBER
			A3-SIZE	53261	SEE CHART	GENERAL MARKET	3 OF 4