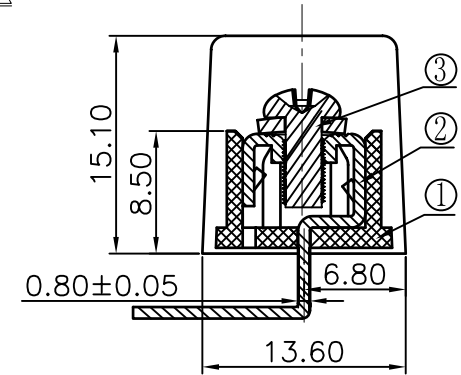
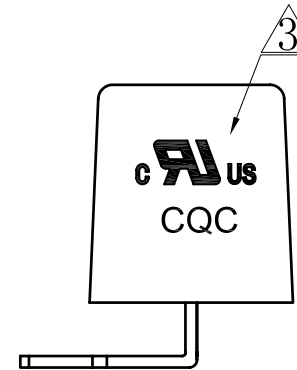
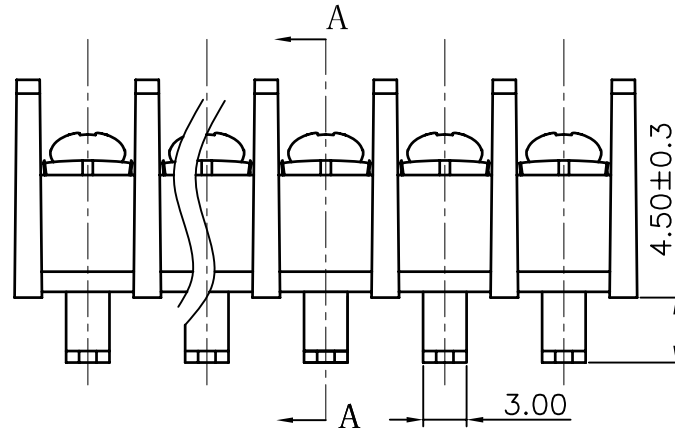


NOTES:

1. Pitch: 8.25mm, Poles: 2P-26P
2. Rated voltage/current: UL 300V/20A  
IEC 450V/32A
3. Operation temperature: -40° C ~ +105° C
4. Withstanding Voltage: AC2000V/1Min
5. Insulation Resistance: 500MΩ / DC500V
6. Wire Range: 22~12AWG; 4mm<sup>2</sup>
7. Max. Torque Value: M3, 5. 10Kgf. cm
8. Undimensioned Tolerances:

REVISION RECORD				
REV	ECO	DESCRIPTION	DRFT	DATE
△		图面整理	Hang	02/08/06
△		增加UL刻字	CSX	06/08/06
△		修改脚宽	CSX	09/20/06
△		品名、料号增加环保标识“00”	YeJ	12/08/07
△		工程变更, 更改商标品名到侧面	WLM	07/19/08

Pitch range in mm		Nominal dimension range in mm										
to	over	to	over	to	over	to	over					
6	6	10	10	30	30	60	60	100	100	150	150	∅
±0.10	±0.15	±0.25	±0.25	±0.2	±0.3	±0.5	±0.7	±1.0	±1.0	±1.0	±1.0	0.05/10



SECTION A-A

ITEM	NAME OF PART	NO. OF PART	Q'TY	MATERIAL	NOTES
3	3*6 bright-Screw	S000000450 (H)	XX	Steel	Ni Plated
2	DG25R-Pin Header	5001B00060 (H)	XX	Brass	SnCe
1	DG35-Housing	5002A0YXXA (H)	1	PA66	UL94V-0

DETACHED LISTS	MM (INCH)	DFTO Zhuwm	DATE 03/03/04	宁波高正电子有限公司 DEGSON ELECTRONICS CO., LTD
	TOLERANCES EXCEPT AS NOTED	CHKD	DATE	
		MFO	DATE	
		APPVL	DATE	
	MM	±		MATERIAL :
	.0 ±	±		
	.00 ±	±		
	.000 ±	±		
	ANGLES ± 1°	G.E :		NAME DG35R-B-XXP-1Y-00A(H)
	THIRD ANGLE PROJECTION	FINISH :		DRAWING NO. DG35R-E01
		SCALE : 1:1		/PART NO.
				SIZE A3
				REV T6
				07/19/08
				DO NOT SCALE DRAWING
				SHEET 1 OF 1