

Data sheet

Commercial Art.No.: 76.350.0760.1

Hood MIN GOT GA 7 M20 25 P1

Hood revos MINI made of Plastik, ankled with threaded hole M20, low version



Commercial Art.No.	76.350.0760.1
EAN	4015573651166
Order Unit	10

Technical data

General

Housing material	Plastic
Color	white
Surface	Untreated
Degree of protection (IP)	Other
UV resistant	yes
Inflammability class of insulation material acc. with UL94	V0
Operating temperature range min.	-40 °C
Operating temperature range max.	120 °C

Model

Construction	3
Locking mechanism	Single locking lever
Cable entry	Sideways
Type of cable	Thread
With cable screw gland	No
Thread size M	20
Thread size PG	
Hinged lid	No
EMC-version	No
Length	48 mm
Width	36 mm
Height	48 mm

Classification

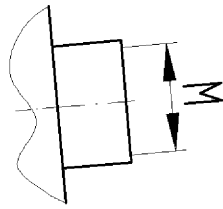
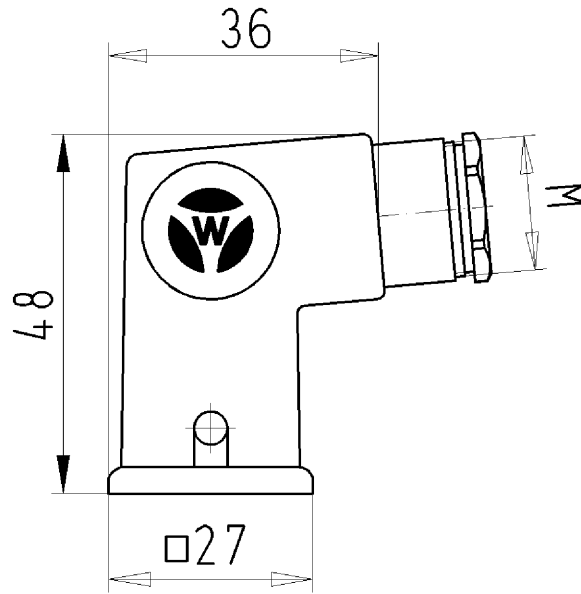
ECLASS 11	
-----------	--

ECLASS 8.1	27440202
ETIM 7.0	EC000437
ETIM 6.0	EC000437
ETIM 5.0	EC000437
ETIM 4.0	EC000437
ETIM 3.0	EC000437

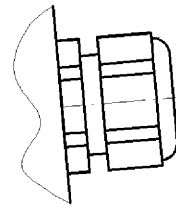
Fits with

Commercial Art.No.:	Article-type description:	Description:
73.300.0353.0	Female insert MIN BUS 3 2,5 40	Female insert revos MINI, 3-poles, rated current: 10A, rated voltage: 250/400 V, with tin-plated contacts
73.310.0353.0	Male insert MIN STS 3 2,5 40	Male insert revos MINI, 3-poles, rated current: 10 A, rated voltage: 250/400 V, with tin-plated contacts
73.300.0453.0	Female insert MIN BUS 4 2,5 25 AG	Female insert revos MiNI, 4-poles, rated current: 10A, rated voltage: 400V, with silver-plated contacts
73.310.0453.0	Male insert MIN STS 4 2,5 25 AG	Male insert revos MiNI, 4-poles, rated current: 10A, rated voltage: 400V, with silver-plated contacts
73.700.0753.0	Female insert MIN BUC 7 25	Female insert revos MINI, 7-poles, crimp connection, rated current: 10A, rated voltage: 400V, with silver-plated contacts
73.710.0753.0	Male insert MIN STC 7 25	Male insert revos MiNI, 7-poles, crimp connection, rated current: 10A, rated voltage: 400V, with silver-plated contacts
73.700.0853.0	Female insert MIN BUC 8 05	Female insert revos MiNI, 8-poles, crimp connection, rated current: 10A, rated voltage: 50V, with silver-plated contacts
73.710.0853.0	Male insert MIN STC 8 05	revos MINI 8 pole, male insert, 50V/10A, crimp connection
73.700.1253.0	Female insert MIN BUC 12 40 AG	revos MINI Q12, 12-pole + ground, female insert, IEC 690V/10A, UL 600V/10A, crimp connection
73.710.1253.0	Male insert MIN STC 12 40 AG	revos MINI Q12, 12-pole + ground, male insert, IEC 690V/10A, UL 600V/10A, crimp connection
73.700.0553.0	Female insert MIN BUC 5 25 AG	Female insert revos MiNI, 5-poles, crimp connection, rated current: 16 A, rated voltage: 400V, with silver-plated contacts
73.710.0553.0	Male insert MIN STC 5 25 AG	Male insert revos MiNI, 5-poles, crimp connection, rated current: 16 A, rated voltage: 400V, with silver-plated contacts

version .0



version .1



version .5
IP 65

Gehäuseoberteil
76.350.0736.0
76.350.0760.0

Zeichnungsnummer
76.350.0736.010W
Gehäuseoberteil

09.01.2008
Hoffmann Angelika
M 1:1