

Data sheet

Commercial Art.No.: 73.353.6435.0

Hood BAS GOT GA 24HM32 50 A0

Hood revos basic made of aluminum, for double locking lever or. screw cap with cable gland M32 on the right side (IP54), low version, 24-poles



| | |
|--------------------|---------------|
| Commercial Art.No. | 73.353.6435.0 |
| EAN | 4015573627802 |
| Order Unit | 1 |

Technical data

General

| | |
|--|---------------------|
| Housing material | aluminum |
| Color | Grey |
| Surface | With powder coating |
| Degree of protection (IP) | IP54 |
| UV resistant | yes |
| Inflammability class of insulation material acc. with UL94 | Other |
| Operating temperature range min. | -40 °C |
| Operating temperature range max. | 120 °C |

Model

| | |
|------------------------|-----------------------|
| Construction | 24H |
| Locking mechanism | Double locking levers |
| Cable entry | Sideways |
| Type of cable | Gland nut |
| With cable screw gland | yes |
| Thread size M | 32 |
| Thread size PG | |
| Hinged lid | No |
| EMC-version | No |
| Length | 120 mm |
| Width | 57 mm |
| Height | 76 mm |

Classification

| | |
|------------|----------|
| ECLASS 11 | |
| ECLASS 8.1 | 27440202 |
| ETIM 7.0 | EC000437 |

| | |
|----------|----------|
| ETIM 6.0 | EC000437 |
| ETIM 5.0 | EC000437 |
| ETIM 4.0 | EC000437 |
| ETIM 3.0 | EC000437 |

Product compliance

| | |
|------------------------------|--------------------|
| ROHS conformity status | Compliant/Exempted |
| ROHS exceptions | III-6(c) |
| REACH-SVHC conformity status | Duty-To-Declare |
| REACH-SVHC substances | Lead |
| REACH-SVHC CAS numbers | 7439-92-1 |

Fits with

| Commercial Art.No.: | Article-type description: | Description: |
|---------------------|------------------------------------|--|
| 70.300.2440.0 | Female insert BAS BUS 24 2,5 50 | Female insert revos basic, 24-poles, rated current: 16A, rated voltage:500V, with tin-plated contacts |
| 70.301.2440.0 | Female insert BAS BUS 24 2,5 50 AU | Female insert revos basic, 24-poles, rated current: 16A, rated voltage:500V, with gold-plated contacts |
| 70.302.2440.0 | Female insert BAS BUS OD 24 2,5 50 | Female insert revos basic, 24-poles, rated current: 16A, rated voltage:500V, with tin-plated contacts |
| 70.310.2440.0 | Male insert BAS STS 24 2,5 50 | Male insert revos basic, 24-poles, rated current: 16A, rated voltage: 500V, with tin-plated contacts |
| 70.311.2440.0 | Male insert BAS STS 24 2,5 50 AU | Male insert revos basic, 24-poles, rated current: 16A, rated voltage: 500V, with gold-plated contacts |
| 70.312.2440.0 | Male insert BAS STS OD 24 2,5 50 | Male insert revos basic, 24-poles, rated current: 16A, rated voltage: 500V, with tin-plated contacts |
| 70.500.2453.0 | Female insert BAS BUF 24 2,5 50 | Female insert revos basic, 24-poles, rated current: 16A, rated voltage:500V, with silver-plated contacts |
| 70.510.2453.0 | Male insert BAS STF 24 2,5 50 | Male insert revos basic, 24-poles, rated current: 16A, rated voltage: 500V, with tin-plated contacts |
| 70.502.2453.0 | Female insert BAS BUM 24 2,5 50 AG | Female insert revos basic, 24-poles, rated current: 16A, rated voltage:500V, with silver-plated contacts |
| 70.512.2453.0 | Male insert BAS STM 24 2,5 50 AG | Male insert revos basic, 24-poles, rated current: 16A, rated voltage: 500V, with silver-plated contacts |
| 70.700.2458.0 | Female insert BAS BUC 24 50 | Female insert revos basic, 24-poles, rated current: 16A, rated voltage:500V, with tin-plated contacts |
| 70.710.2458.0 | Male insert BAS STC 24 50 | Male insert revos basic, 24-poles, rated current: 16A, rated voltage: 500V, with tin-plated contacts |
| 70.800.4656.0 | Female insert BAS BUCK 46 50 PC | Female insert revos basic, 46-poles, polycarbonate insert, rated current: 16A, rated voltage: 500V, with gold-plated or silver-plated contacts |
| 70.810.4656.0 | Male insert BAS STCK 46 50 | Male insert revos basic, 46-poles, rated current: 16A, rated voltage: 500V, with gold-plated or silver-plated contacts |
| 70.400.1040.0 | Female insert BAS BUS 10 2,5 64 | Female insert revos basic, 10-poles, rated current: 16A, rated voltage:690V, with tin-plated contacts |
| 70.410.1040.0 | Male insert BAS STS 10 2,5 64 | Male insert revos basic, 10-poles, rated current: 16A, rated voltage: 690V, with tin-plated contacts |
| 70.400.1640.0 | Female insert BAS BUS 16 2,5 64 | Female insert revos basic, 16-poles, rated current: 16A, rated voltage:690V, with tin-plated contacts |
| 70.410.1640.0 | Male insert BAS STS 16 2,5 64 | Male insert revos basic, 16-poles, rated current: 16A, rated voltage: 690V, with tin-plated contacts |

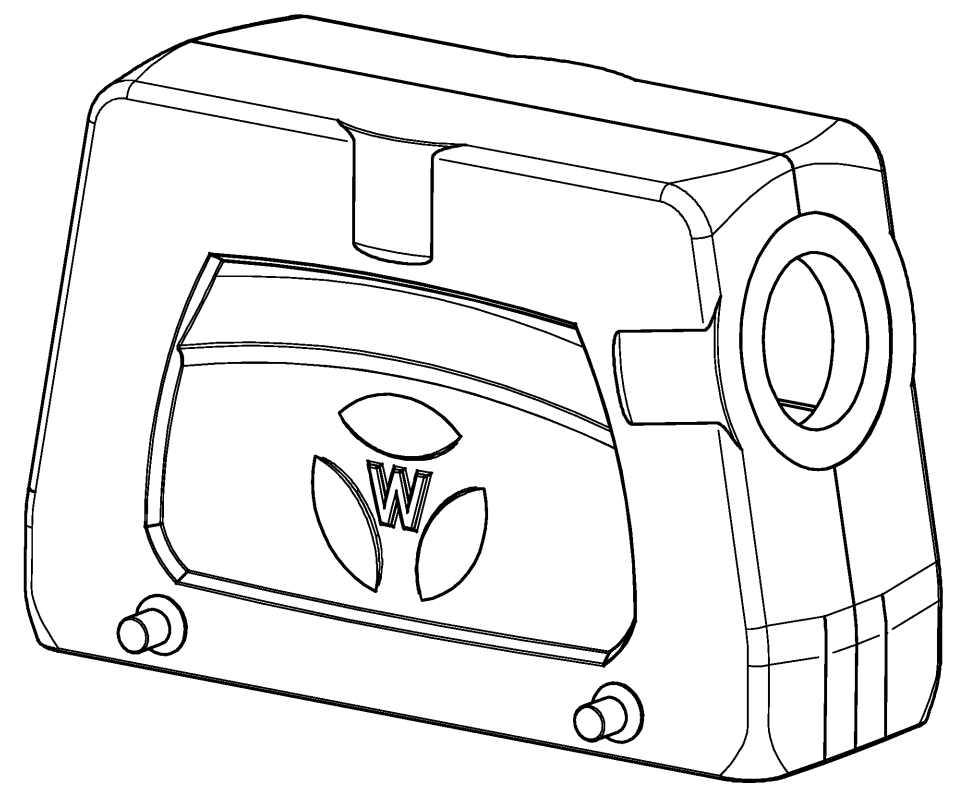
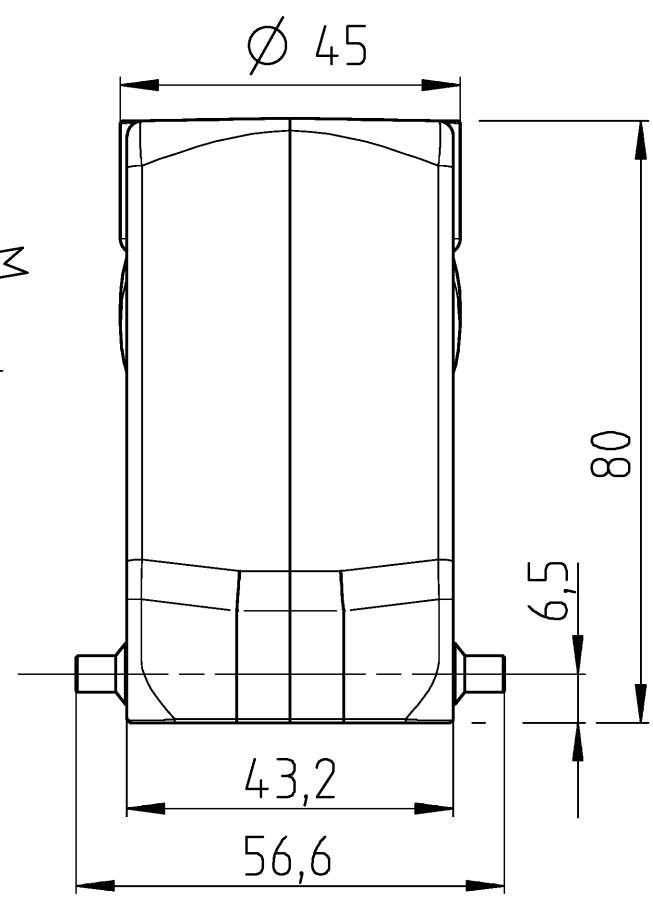
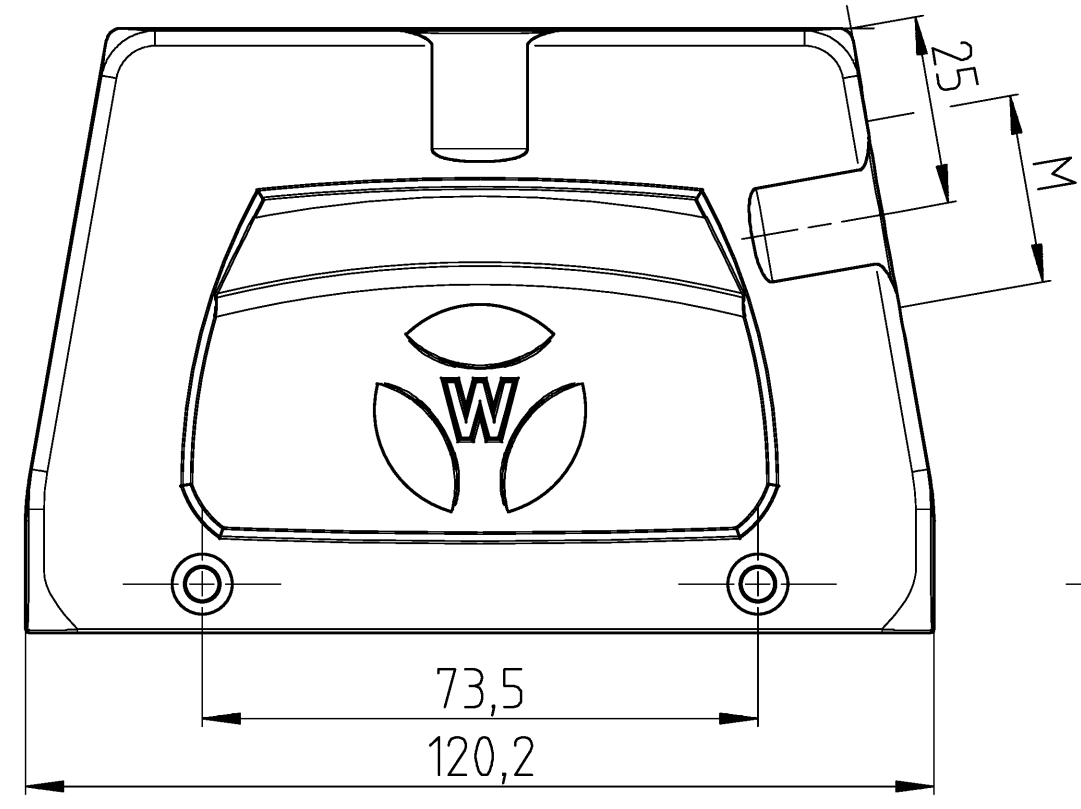
| | | |
|---------------|------------------------------------|--|
| 72.300.2453.0 | Female insert BAS BUS 24 2,5 69 | Female insert revos basic, 24-poles, rated current: 16A, rated voltage:690V, with tin-plated contacts |
| 72.310.2453.0 | Male insert BAS STS 24 2,5 69 | Male insert revos basic, 24-poles, rated current: 16A, rated voltage: 690V, with tin-plated contacts |
| 72.700.2458.0 | Female insert BAS BUC 24 69 | Female insert revos basic, 24-poles, rated current: 16A, rated voltage:690V, with tin-plated contacts |
| 72.710.2458.0 | Male insert BAS STC 24 69 | Male insert revos basic, 24-poles, rated current: 16A, rated voltage: 690V, with tin-plated contacts |
| 73.800.0853.0 | Female insert DD BUC 108 1,5 25 | revos DD 108 pole + ground, female insert, 250V/10A, crimp connection |
| 73.810.0853.0 | Male insert DD STC 108 1,5 25 | revos DD 108 pole + ground, male insert 250V/10A, crimp connection |
| 73.700.6458.0 | Female insert HD BUC 64 25 | revos BASIC HD 64 pole + ground, female insert 250V/10A, crimp connection |
| 73.710.6458.0 | Male insert HD STC 64 25 | revos HD 64 pole + ground, male insert 250V/10A, crimp connection |
| 70.405.2453.0 | Female insert BAS BUP 24 2,5 50 AG | Female insert revos basic, 24-poles, rated current: 16A, rated voltage:500V, with silver-plated contacts |
| 70.415.2453.0 | Male insert BAS STP 24 2,5 50 AG | Male insert revos basic, 24-poles, rated current: 16A, rated voltage: 500V, with silver-plated contacts |
| 72.206.1253.0 | Female insert POW BUS 4/8 NL BB AG | |
| 72.216.1253.0 | Male insert POW STS 4/8 NL BB AG | |

A
 Weitergabe sowie Vervielfältigung dieses Dokuments, Verwertung und Mitteilung seines Inhalts sind verboten, soweit nicht ausdrücklich gestattet. The reproduction, distribution and utilization of this document as well as the communication of its contents to others without express authorization is prohibited.

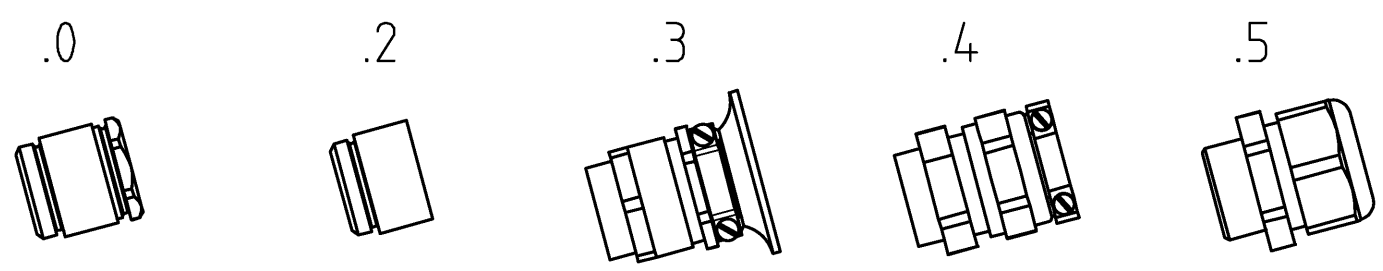
B
 These dimensions will be especially checked at delivery
 Only inspection dimensions
 With /E marked dimensions are only valid for internal use

C
 Diese Maße werden bei Abnahme besonders geprüft
 Ausschließlich Prüfmaße
 Mit /E gekennzeichnete Maße sind nur für interne Zwecke gültig

F



Varianten/ Variants



| | | | | | | |
|---------------------------------|---------------|----------------|-------------------|------------------------|---|----------------------------|
| 60 73.3 50 | 53 .6435.5 | BAS GOT GA 24H | M40 M32 M25 | A5 | Kabelverschraubung(KV),IP65 /Cable gland(CG),IP65 | |
| 60 73.3 50 | 53 .6435.4 | BAS GOT GA 24H | M40 M32 M25 | A4 | KV mit Zugentlastung,IP54 /CG with strain relief,IP54 | |
| 73.35 ³ ₀ | .6435.3 | BAS GOT GA 24H | M32 M25 | A3 | KV mit Zugentlastung und Knickschutz,IP54 /CG with strain relief and bend support,IP54 | |
| 60 73.3 50 | 53 .6435.2 | BAS GOT GA 24H | M40 M32 M25 | A2 | Zwischenstutzen /Bushing | |
| 60 73.3 50 | 53 .6435.1 | BAS GOT GA 24H | M40 M32 M25 | A1 | Gewindebohrung /Thread hole | X |
| 60 73.3 50 | 53 .6435.0 | BAS GOT GA 24H | M40 M32 M25 | A0 | Kabelverschraubung(KV),IP54 /Cable gland(CG),IP54 | |
| Bestellnummer /Order number | | Typ /Type | | Varianten /Variants | | dar- gestellt /drawn |

Weitere Daten siehe KATALOG oder eKatalog.
 Additional data see CATALOG or eCatalog.
www.wieland-electric.com
eshop.wieland-electric.com

Tolerierung Size ISO 14405 © / Tolerance system Size ISO 14405 ©.
 (This ISO-standard describes the envelope principle. According to the envelope principle the deviations of form and parallelism are limited by the size tolerances).

ja/yes Stoffverbots- und Deklarationsliste nach WN 5020.010 ist einzuhalten.
 Conformity with Wieland document WN 5020.010 e (list of prohibited / declarable hazardous substances) to be declared!

Freitoleranz nach General tolerance CAD - Zeichnung, keine manuellen Änderungen CAD - drawing, no manual modifications allowed 1 Verwendung: First Use: Blatt: 1 von 1 Sheet: of 1

| | | | | |
|--|--|------------------------|---|-------|
| Werkstoff / Material Aluminium beschichtet/coated grau/grey | Tag/Date 04.06.2014 | Name Treschan | Zeichnung Nr. / Drawing No. T 73.350.6435.0 13K | Index |
| Maßstab / Scale 1:1 | Elektronische Freigabe Electronic Release | | | |
| Vol. mm ³ Dfl./Srf. mm ² | Ersatz für / Replacement for: | | | |
| | | Type revos BASIC | Benennung/Title GEHAUSEOBERTEIL Baugröße 24H-Kabelabgang 1x M25/M32/M40 seitlich Hood size 24H-cable outlet 1x M25/M32/M40 side | |
| Index Änderung / Revision | Datum / Blatt Date / Sheet | | | |