

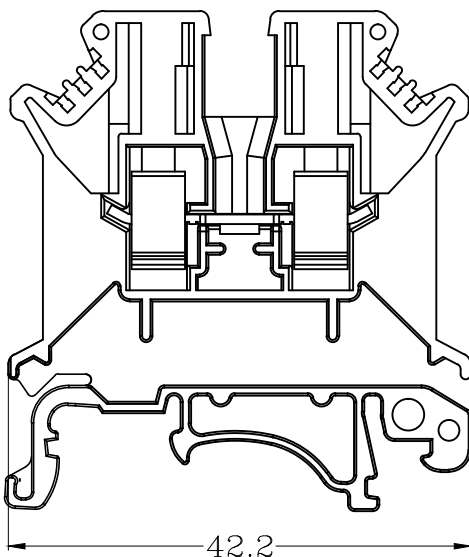
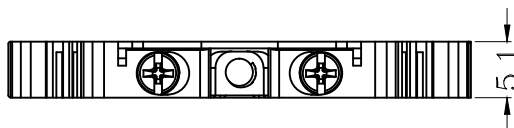
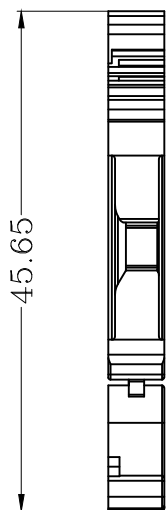


宁波速普电子有限公司

NINGBO SUPU ELECTRONICS.CO.,LTD

产品规格书

Product Specification



订货信息/Order Info

订货号 Part Number	颜色 Color
303991	灰色/Gray
303992	蓝色/Blue
303994	橙色/Orange
303995	红色/Red
303996	黑色/Black
303997	黄色/Yellow
303998	白灰色/Light gray

IEC 额定数据/IEC Rated data				
接线范围/Wire range	0.2-2.5mm ²			
单股导线/Solid	0.2-4mm ²			
软导线/Stranded	0.2-2.5mm ²			
带端头软导线/Stranded with ferrules without plastic sleeve	0.25-2.5mm ²			
带预绝缘端头软导线/Stranded with ferrules with plastic sleeve	0.25-2.5mm ²			
剥线长度/Strip length	8-9mm			
额定电压/Rated voltage	800V			
额定电流/Rated current	24A			
耐电压/Rated surge voltage	8KV			
污染等级/Pollution level	3			
过电压等级/Overvoltage category	III			
UL 额定数据/UL Rated data		B	C	D
额定电流/Rated current	20A	20A		
额定电压/Rated voltage	600V	600V		
接线范围/Wire range	28-12AWG			
其他信息/Other information				
塑件/Housing	PA66			
触点材料/Contact	铜合金/Copper alloy			
镀层/Coating	镍/Nickel			
阻燃等级/Flame retardant rating	V0			
储存及运输环境温度/ Storage ambient temperature	-40℃ - +85℃			
使用环境温度/Usage ambient temperture	-25℃ - +70℃			
螺钉类型/Screw-thread	M3			
扭矩/Tightening torque	0.6-0.8 Nm			
导轨尺寸/rails Size	SP35X7.5/SP35X15/SP32X7.5			
认证/Approval				
 单位/Unit mm	Rev. 01	Name SUK 3 轨装螺钉接线端子 SUK 3 Rail-mounted terminal block with screw clamp		