

TERMINAL BLOCK Connector

Screwless Series

KLS2-244V-2.50/2.54 Series Pitch=2.50mm/2.54mm

Electrical :

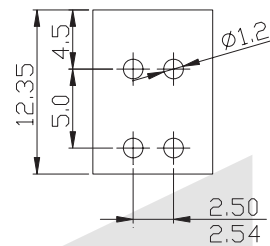
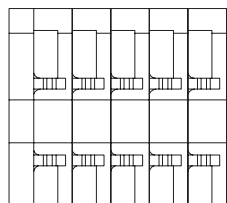
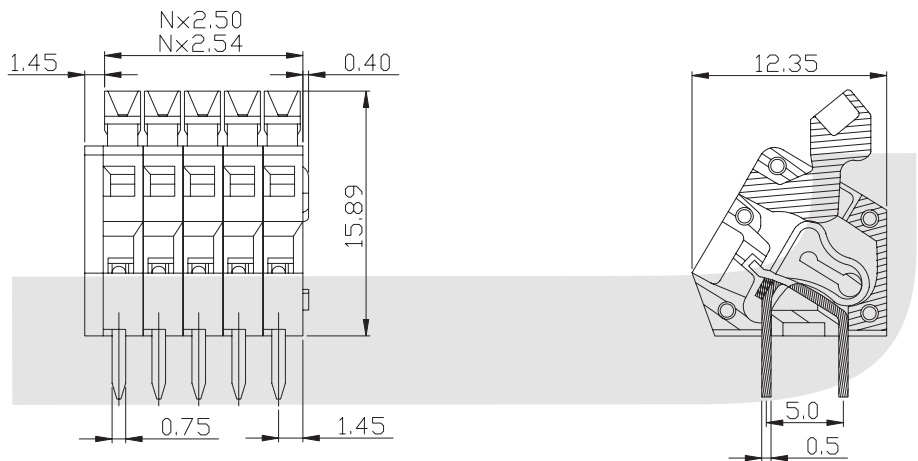
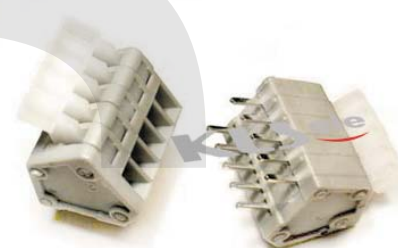
Rated voltage: 150V
 Rated current: 4A
 Contact resistance: 20mΩ
 Insulation resistance: 5000MΩ/1000V
 Withstanding Voltage: AC2000V/1Min
 Wire range: 28-20AWG 0.5MM²

Material

Housing: PA66, UL94V-0
 Wire guard: Stainless steel
 Pin header: Phosphor bronze, Tin plated

Mechanical

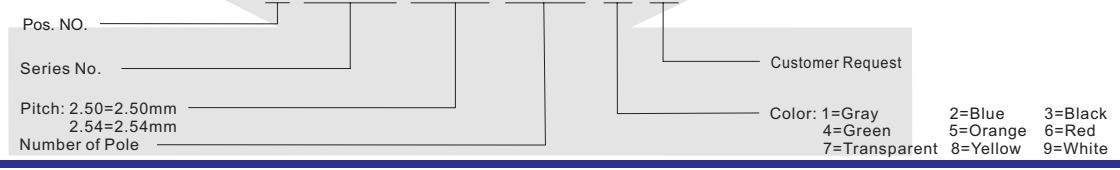
Temp. Range: -40°C~+105°C
 Strip length: 5-6mm



PCB LAYOUT

ORDER INFORMATION

Product NO.: KLS2-244V-2.50-XXP X X



All specification & dimensions are subject to change, please call your nearest KLS sales representative for update information

TERMINAL BLOCK Connector

Screwless Series

KLS2-244R-2.50 / 2.54 Series Pitch=2.50mm/2.54mm

Electrical :

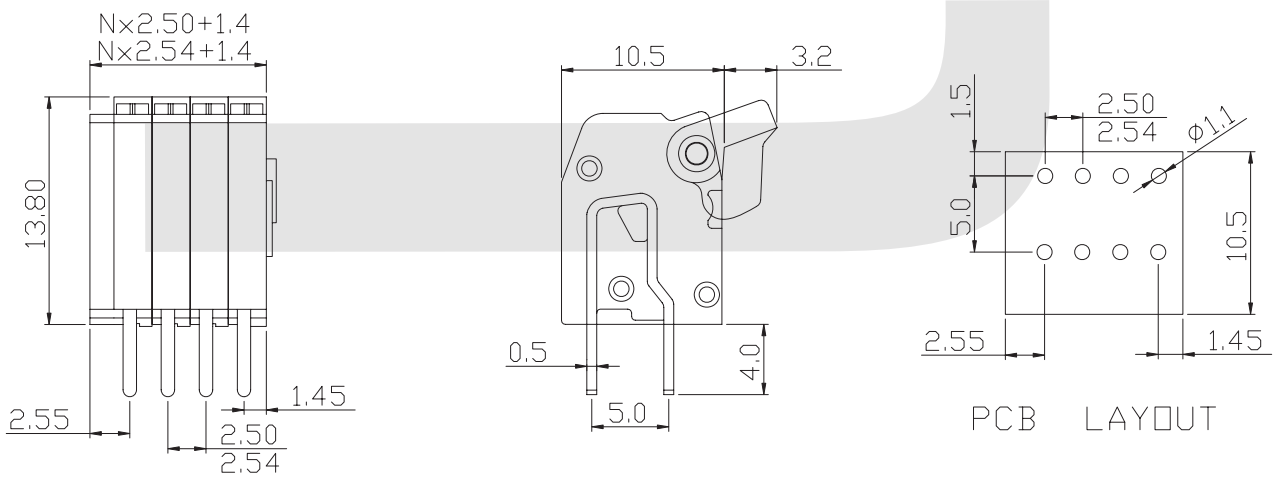
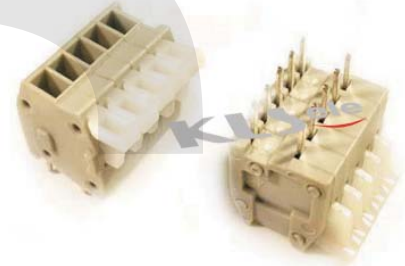
Rated voltage: 150V
 Rated current: 4A
 Contact resistance: 20mΩ
 Insulation resistance: 5000MΩ/1000V
 Withstanding Voltage: AC2000V/1Min
 Wire range: 28-20AWG 0.5MM²

Material

Housing: PA66, UL94V-0
 Wire guard: Stainless steel
 Pin header: Phosphor bronze, Tin plated

Mechanical

Temp. Range: -40°C~+105°C
 Strip length: 5-6mm



ORDER INFORMATION

Product NO.: KLS2-244R-2.50-XXP X X

Pos. NO.	_____	Customer Request	
Series No.	_____		
Pitch: 2.50=2.50mm	_____	Color: 1=Gray	2=Blue
2.54=2.54mm	_____	4=Green	5=Orange
Number of Pole	_____	7=Transparent	8=Yellow
			3=Black
			6=Red
			9=White

TERMINAL BLOCK Connector

Screwless Series

KLS2-141V-2.54 Series Pitch=2.54mm

Electrical :

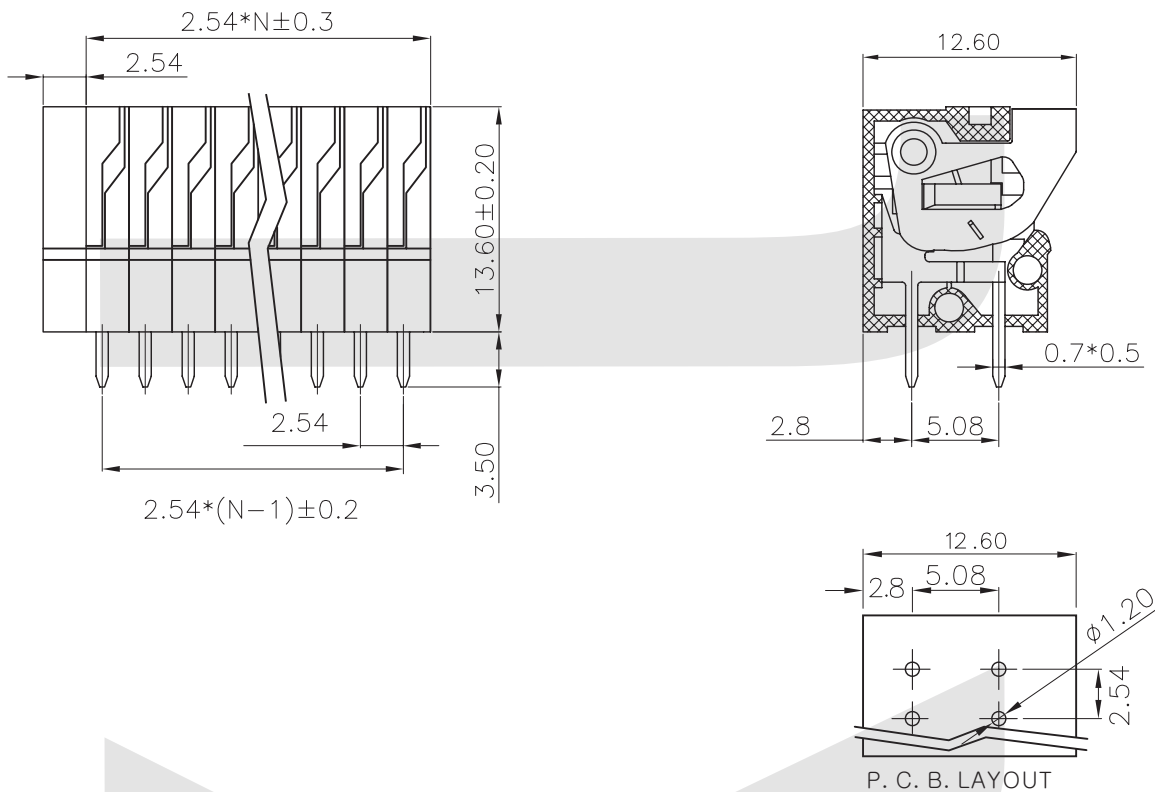
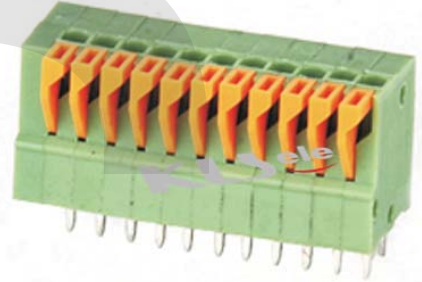
Rated voltage: 150V
 Rated current: 6A
 Contact resistance: 20mΩ
 Insulation resistance: 5000MΩ/1000V
 Withstanding Voltage: AC1500V/1Min
 Wire range: 26-20AWG 1.5MM²

Material

Pin header: Brass, Tin plated
 Housing: PA66, UL94V-0
 Wire guard: Stainless steel

Mechanical

Temp. Range: -40°C~+105°C
 MAX Soldering: +250°C for 5 Sec.
 Strip length: 11mm



ORDER INFORMATION

Product NO.: KLS2-141V-2.54-XXP X X

Pos. NO. _____	Customer Request		
Series No. _____		Color: 1=Gray	2=Blue
Pitch: 2.54=2.54mm		4=Green	5=Orange
Number of Pole _____		7=Transparent	8=Yellow
			3=Black
			6=Red
			9=White

TERMINAL BLOCK Connector



Screwless Series

KLS2-141R-2.54 Series Pitch=2.54mm

Electrical :

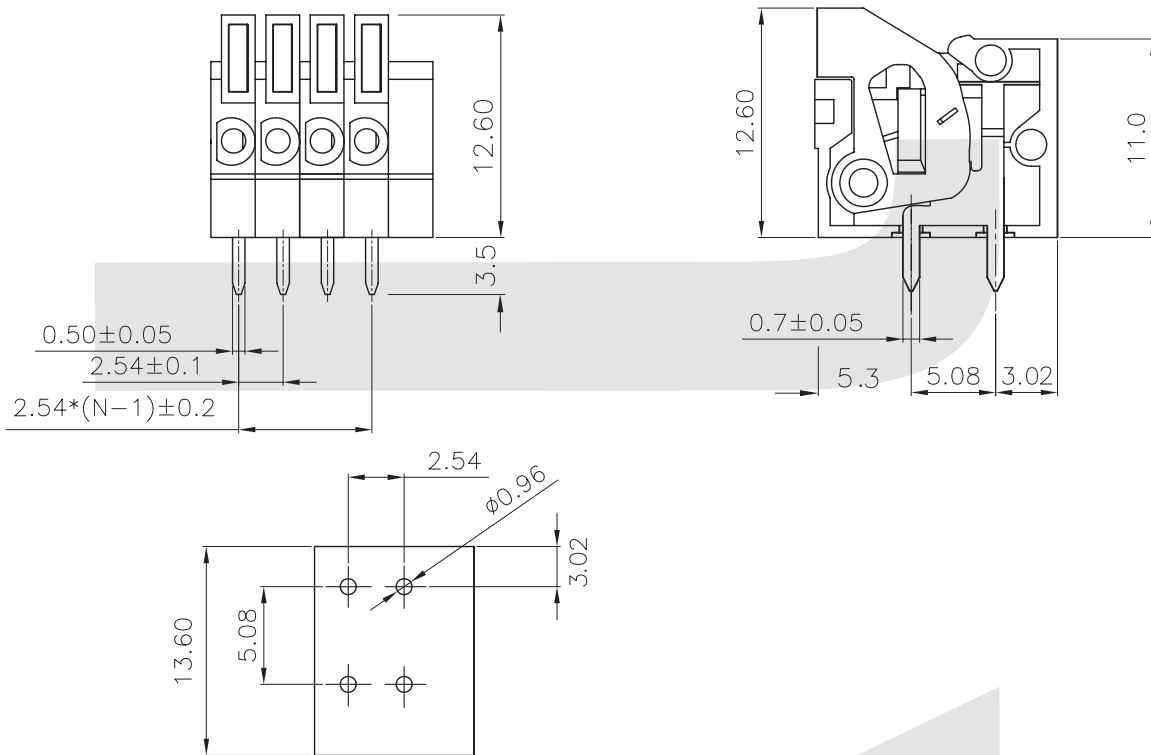
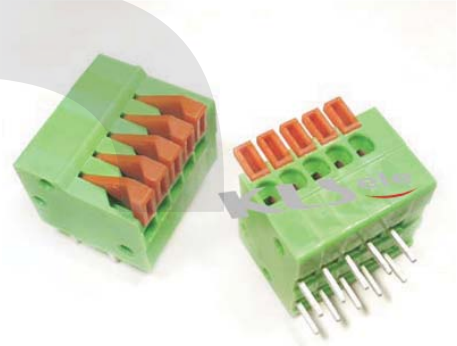
Rated voltage: 150V
 Rated current: 6A
 Contact resistance: 20mΩ
 Insulation resistance: 5000MΩ/1000V
 Withstanding Voltage: AC1500V/1Min
 Wire range: 26-20AWG 1.5MM²

Material

Pin header: Brass, Tin plated
 Housing: PA66, UL94V-0
 Wire guard: Stainless steel

Mechanical

Temp. Range: -40°C~+105°C
 MAX Soldering: +250°C for 5 Sec.
 Strip length: 11mm



P. C. B. LAYOUT

ORDER INFORMATION

Product NO.: KLS2-141R-2.54-XXP X X

Pos. NO.	_____	Customer Request		
Series No.	_____			
Pitch: 2.54=2.54mm	_____	Color: 1=Gray	2=Blue	3=Black
Number of Pole	_____	4=Green	5=Orange	6=Red
		7=Transparent	8=Yellow	9=White

TERMINAL BLOCK Connector



Screwless Series

KLS2-235R-3.81/5.00 Series Pitch=3.81mm/5.00mm

Electrical :

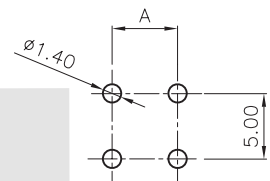
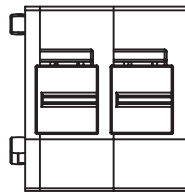
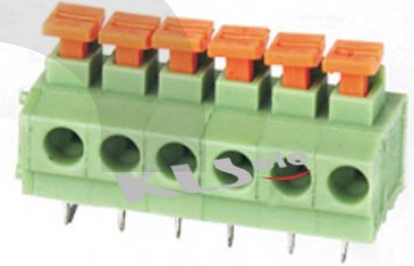
- Rated voltage: 300V
- Rated current: 5A
- Contact resistance: 20mΩ
- Insulation resistance: 5000MΩ/1000V
- Withstanding Voltage: AC1500V/1Min
- Wire range: 20-14AWG 1.5MM²

Material

- Pin header: Phosphor bronze, Tin plated
- Housing: PA66, UL94V-0
- Wire guard : Stainless steel

Mechanical

- Temp. Range: -40°C~+105°C
- MAX Soldering: +250°C for 5 Sec.
- Strip length: 9-10mm



RECOMMEND PCB LAYOUT
(TOLERANCE=±0.05)

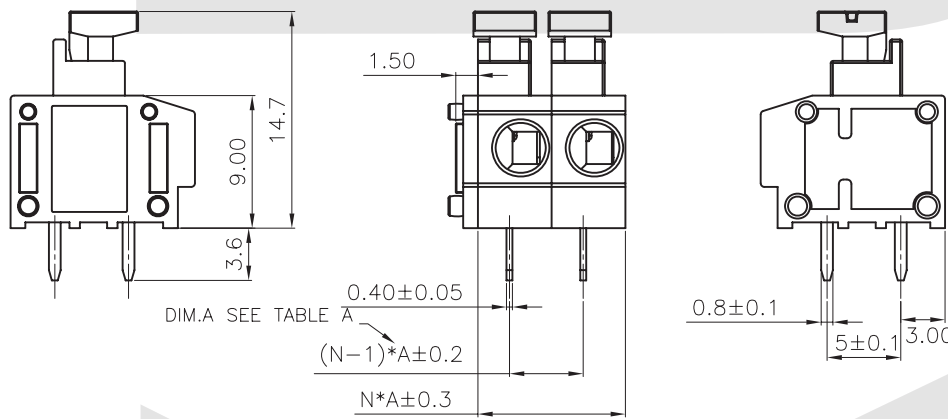


TABLE A

TYPE	Dimension
	A
1	3.81
2	5.00
3	7.50
4	10.00

ORDER INFORMATION

Product NO.: KLS2-235R-3.81-XXP X X

Pos. NO. _____
Series No. _____
Pitch: 3.81=3.81mm 5.00=5.00mm
7.50=7.50mm 10.00=10.00mm
Number of Pole _____
Customer Request _____
Color: 1=Gray 2=Blue 3=Black
4=Green 5=Orange 6=Red
7=Transparent 8=Yellow 9=White

TERMINAL BLOCK Connector

Screwless Series

KLS2-142V-5.00 Series Pitch=5.00mm

Electrical :

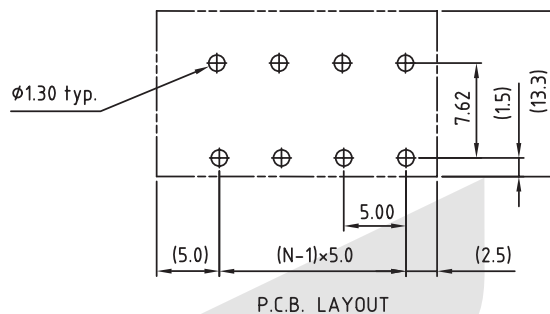
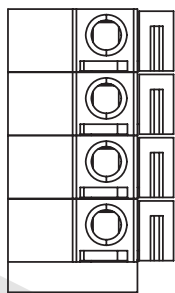
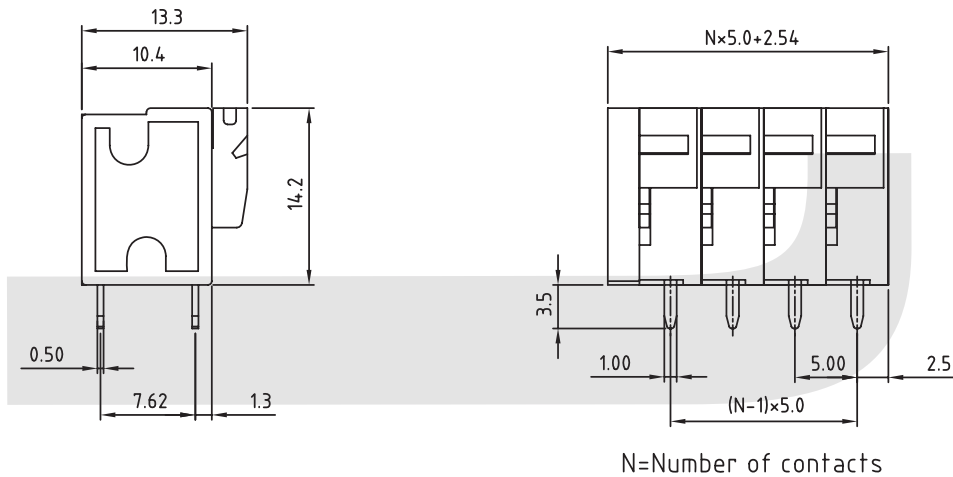
Rated voltage: 300V
 Rated current: 10A
 Contact resistance: 20mΩ
 Insulation resistance: 5000MΩ/1000V
 Withstanding Voltage: AC1500V/1Min
 Wire range: 22-14AWG 1.5MM²

Material

Pin header: Brass, Tin plated
 Housing: PA66, UL94V-0
 Wire guard : Stainless steel

Mechanical

Temp. Range: -40°C~+105°C
 MAX Soldering: +250°C for 5 Sec.
 Strip length: 10mm



ORDER INFORMATION

Product NO.: KLS2-142V-5.00-XXP X X

Pos. NO. _____
 Series No. _____
 Pitch: 5.00=5.00mm _____
 Number of Pole _____
 Customer Request _____
 Color: 1=Gray 2=Blue 3=Black
 4=Green 5=Orange 6=Red
 7=Transparent 8=Yellow 9=White

TERMINAL BLOCK Connector



Screwless Series

KLS2-2.50V-5.00 Series Pitch=2.50mm

Electrical :

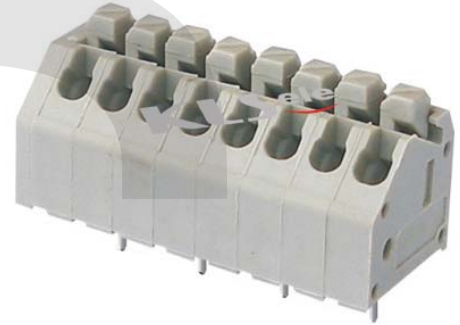
- Rated voltage: 300V
- Rated current: 2A
- Contact resistance: 20mΩ
- Insulation resistance: 5000MΩ/1000V
- Withstanding Voltage: AC1500V/1Min
- Wire range: 20-16AWG 1.5MM²

Material

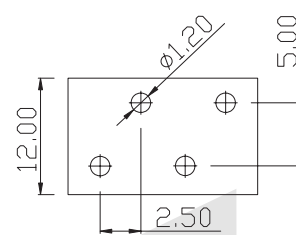
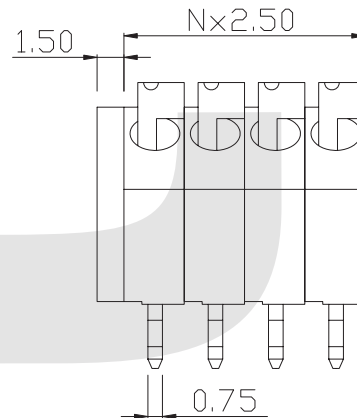
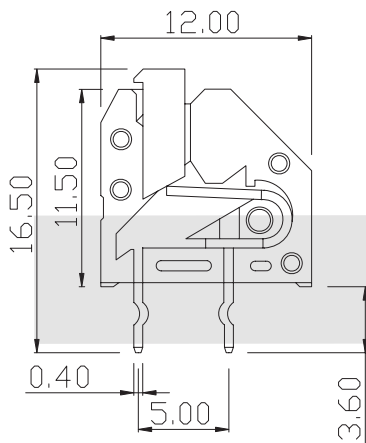
- Pin header: Phosphor bronze, Tin plated
- Housing: PA66, UL94V-0
- Wire guard: Stainless steel

Mechanical

- Temp. Range: -40°C~+105°C
- MAX Soldering: +250°C for 5 Sec.
- Strip length: 9-10mm



W/O COVER VIEW



PCB LAYOUT

ORDER INFORMATION

Product NO.: KLS2-2.50V-5.00-XXP X X



- Color: 1=Gray 2=Blue 3=Black
4=Green 5=Orange 6=Red
7=Transparent 8=Yellow 9=White

TERMINAL BLOCK Connector

Screwless Series

KLS2-145R-5.00 Series Pitch=5.00mm

Electrical :

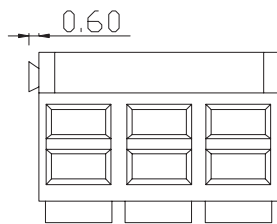
- Rated voltage: 300V
- Rated current: 8A
- Contact resistance: 20mΩ
- Insulation resistance: 5000MΩ/1000V
- Withstanding Voltage: AC2000V/1Min
- Wire range: 22-18AWG 1.0MM²

Material

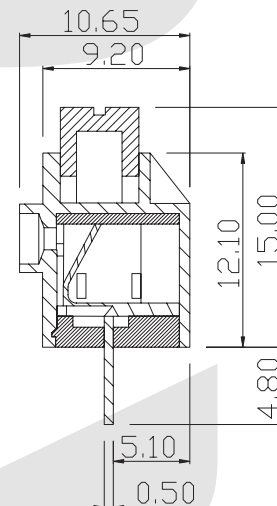
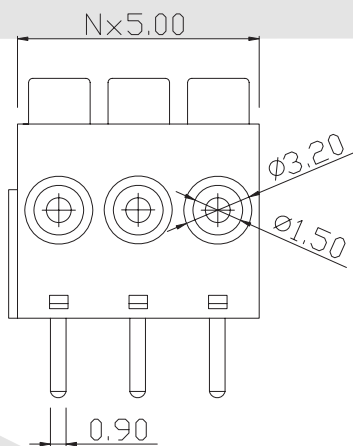
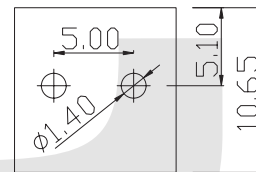
- Housing: PBT, UL94V-0
- Wire guard: Stainless steel
- Pin header: Brass, Tin plated

Mechanical

- Temp. Range: -40°C~+105°C
- MAX Soldering: +250°C for 5 Sec.
- Strip length: 7-7.5mm



PCB LAYOUT



ORDER INFORMATION

Product NO.: KLS2-145R-5.00-XXP X X

Pos. NO.	_____	Customer Request
Series No.	_____	
Pitch: 5.00=5.00mm	_____	
Number of Pole	_____	

- Color: 1=Gray 2=Blue 3=Black
4=Green 5=Orange 6=Red
7=Transparent 8=Yellow 9=White

TERMINAL BLOCK Connector

Screwless Series

KLS2-242V-5.00 Series Pitch=5.00mm

Electrical :

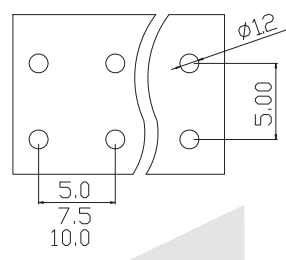
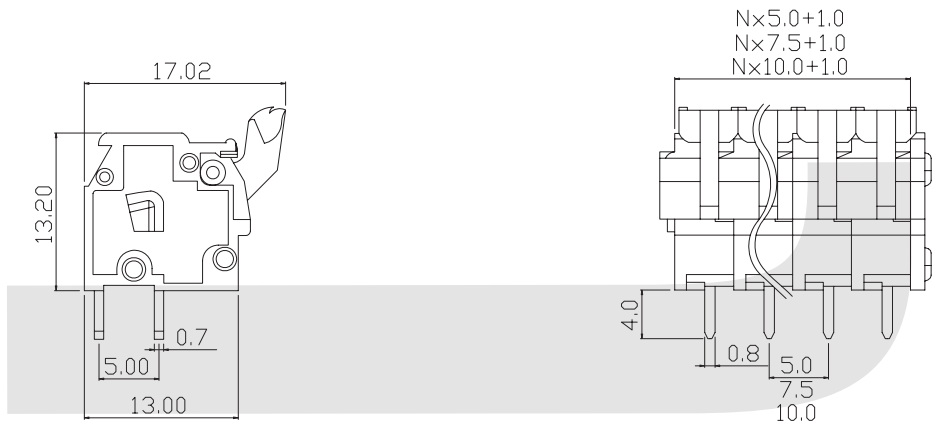
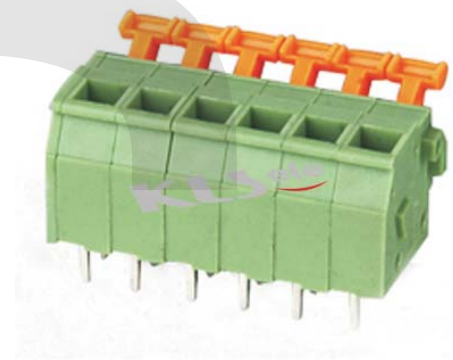
- Rated voltage: 300V
- Rated current: 15A
- Contact resistance: 20mΩ
- Insulation resistance: 5000MΩ/1000V
- Withstanding Voltage: AC2000V/1Min
- Wire range: 28-12AWG 2.5MM²

Material

- Housing: PA66, UL94V-0
- Wire guard : Stainless steel
- Pin header: Phosphor bronze, Tin plated

Mechanical

- Temp. Range: -40°C~+105°C
- Strip length: 5-6mm



PCB LAYOUT

ORDER INFORMATION

Product NO.: KLS2-242V-5.00-XXP X X

Pos. NO.	Series No.	Pitch: 5.00=5.00mm 7.50=7.50mm 10.00=10.0mm	Number of Pole	Customer Request	Color: 1=Gray 4=Green 7=Transparent	2=Blue 5=Orange 8=Yellow	3=Black 6=Red 9=White
----------	------------	---	----------------	------------------	---	--------------------------------	-----------------------------

All specification & dimensions are subject to change, please call your nearest KLS sales representative for update information

TERMINAL BLOCK Connector



Screwless Series

KLS2-243V-5.00 Series Pitch=5.00mm

Electrical :

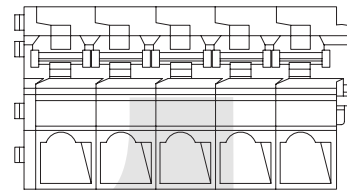
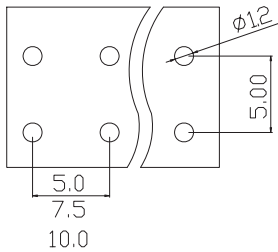
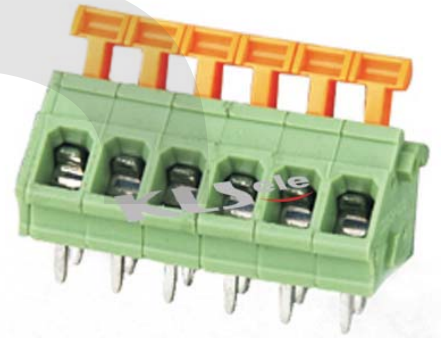
- Rated voltage: 300V
- Rated current: 15A
- Contact resistance: 20mΩ
- Insulation resistance: 5000MΩ/1000V
- Withstanding Voltage: AC2000V/1Min
- Wire range: 28-12AWG 2.5MM²

Material

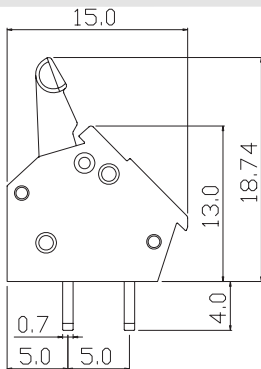
- Housing: PA66, UL94V-0
- Wire guard: Stainless steel
- Pin header: Phosphor bronze, Tin plated

Mechanical

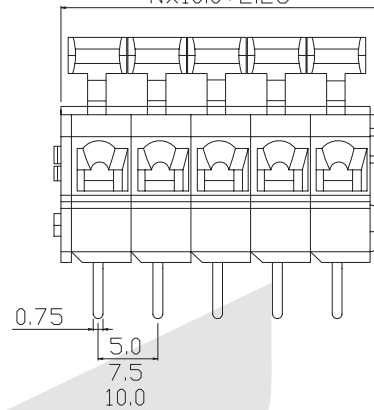
- Temp. Range: -40°C~+105°C
- Strip length: 5-6mm



PCB LAYOUT



N×5.0+2.25
N×7.5+2.25
N×10.0+2.25



ORDER INFORMATION

Product NO.: KLS2-243V-5.00-XXP X X

Pos. NO. _____

Series No. _____

Pitch: 5.00=5.00mm 7.50=7.50mm
10.00=10.0mm

Number of Pole _____

Customer Request

Color: 1=Gray 2=Blue 3=Black
4=Green 5=Orange 6=Red
7=Transparent 8=Yellow 9=White

TERMINAL BLOCK Connector

Screwless Series

KLS2-242R-5.00 Series Pitch=5.00mm

Electrical :

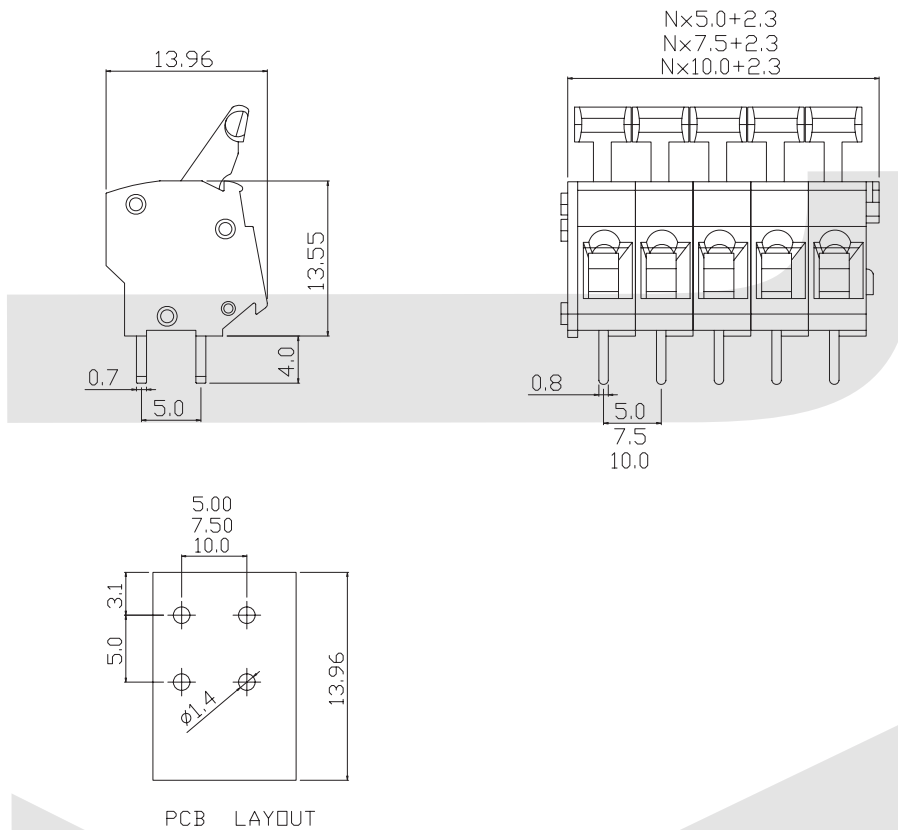
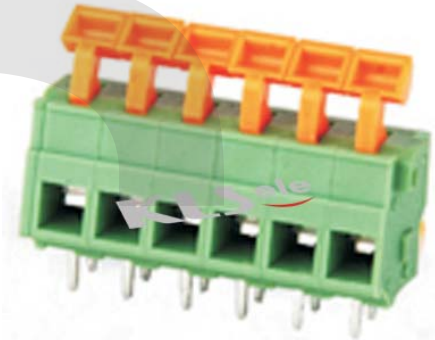
Rated voltage: 300V
 Rated current: 15A
 Contact resistance: 20mΩ
 Insulation resistance: 5000MΩ/1000V
 Withstanding Voltage: AC2000V/1Min
 Wire range: 28-12AWG 2.5MM²

Material

Housing: PA66, UL94V-0
 Wire guard: Stainless steel
 Pin header: Phosphor bronze, Tin plated

Mechanical

Temp. Range: -40°C~+105°C
 Strip length: 5-6mm



ORDER INFORMATION

Product NO.: KLS2-242R-5.00-XXP X X

Pos. NO.

Series No.

Pitch: 5.00=5.00mm 7.50=7.50mm
 10.00=10.0mm

Number of Pole

Customer Request

Color: 1=Gray
 4=Green
 7=Transparent

2=Blue
 5=Orange
 8=Yellow

3=Black
 6=Red
 9=White

TERMINAL BLOCK Connector



Screwless Series

KLS2-235T-5.00 Series Pitch=5.00mm

Electrical :

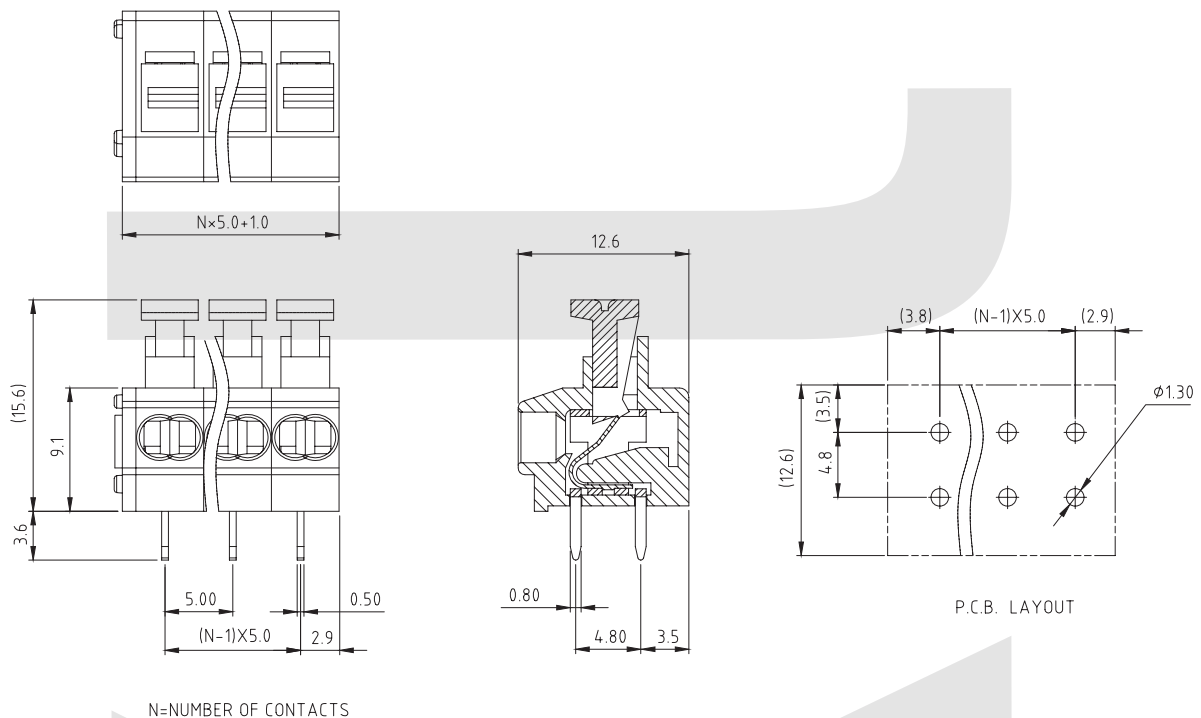
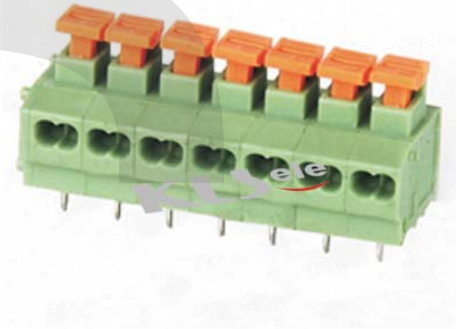
- Rated voltage: 300V
- Rated current: 5A
- Contact resistance: 20mΩ
- Insulation resistance: 5000MΩ/1000V
- Withstanding Voltage: AC1500V/1Min
- Wire range: 20-14AWG 1.5MM²

Material

- Pin header: Phosphor bronze, Tin plated
- Housing: PA66, UL94V-0
- Wire guard : Stainless steel

Mechanical

- Temp. Range: -40°C~+105°C
- MAX Soldering: +250°C for 5 Sec.
- Strip length: 9-10mm



ORDER INFORMATION

Product NO.: KLS2-235T-5.00-XXP X X



- Color: 1=Gray 2=Blue 3=Black
4=Green 5=Orange 6=Red
7=Transparent 8=Yellow 9=White

TERMINAL BLOCK Connector

Screwless Series

KLS2-260R-5.00 Series Pitch=5.00mm

Electrical :

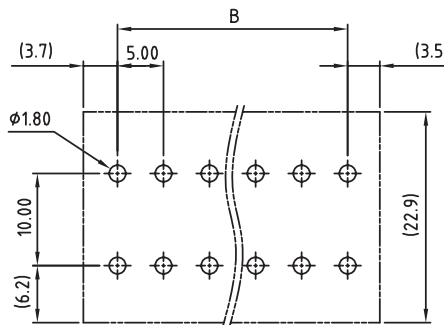
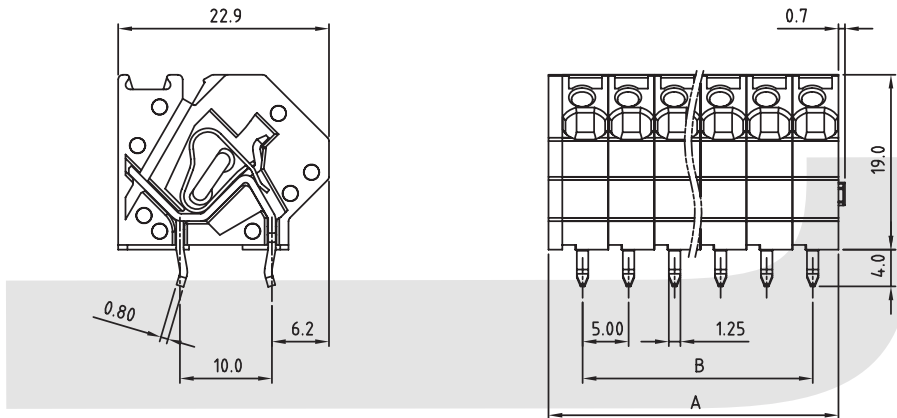
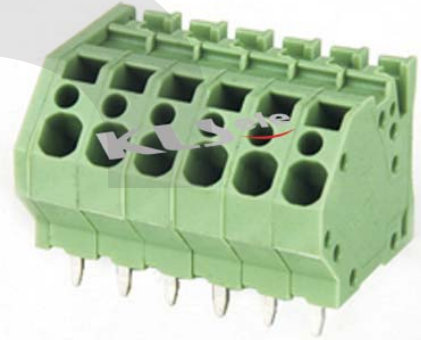
Rated voltage: 300V
 Rated current: 10A
 Contact resistance: 20mΩ
 Insulation resistance: 5000MΩ/1000V
 Withstanding Voltage: AC2000V/1Min
 Wire range: 28-12AWG 2.5MM²

Material

Housing: PA66, UL94V-0
 Pin header: Copper, Tin plated

Mechanical

Temp. Range: -40°C~+105°C
 Strip length: 6-7mm



PCB Layout

ORDER INFORMATION

Product NO.: KLS2-260R-5.00-XXP X X

Pos. NO. _____
 Series No. _____
 Pitch: 5.00=5.00mm
 Number of Pole _____
 Customer Request _____
 Color: 1=Gray
 4=Green
 7=Transparent

2=Blue
 5=Orange
 8=Yellow
 3=Black
 6=Red
 9=White

TERMINAL BLOCK Connector



Screwless Series

KLS2-206-5.00/7.50 Series Pitch=5.00mm/7.50mm

Electrical :

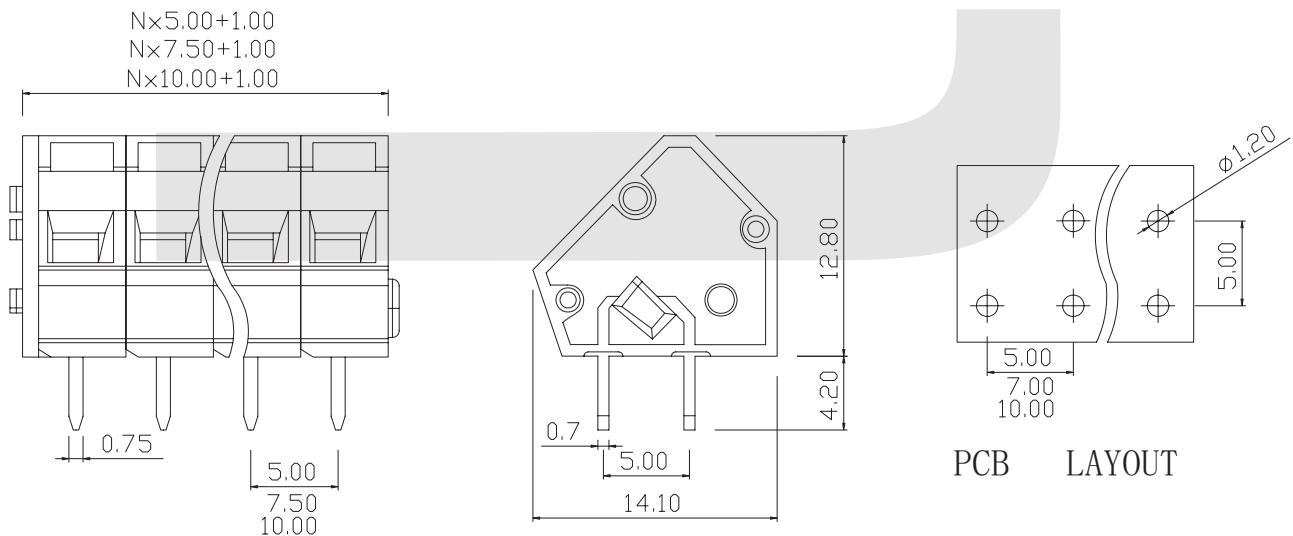
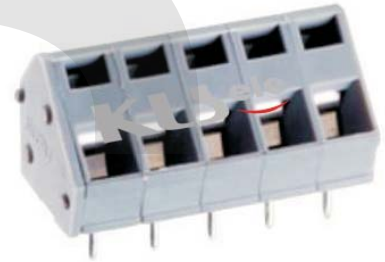
- Rated voltage: 300V
- Rated current: 15A
- Contact resistance: 20mΩ
- Insulation resistance: 5000MΩ/1000V
- Withstanding Voltage: AC2000V/1Min
- Wire range: 28-12AWG 2.5MM²

Material

- Housing: PA66, UL94V-0
- Wire guard: Stainless steel
- Pin header: Phosphor bronze, Tin plated

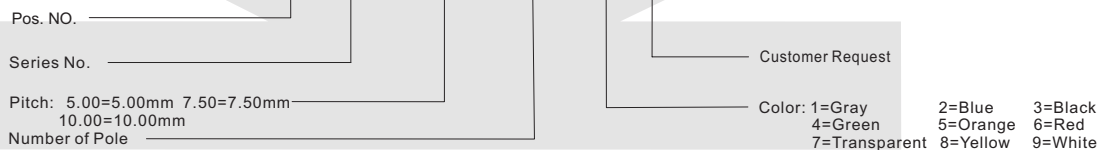
Mechanical

- Temp. Range: -40°C~+105°C
- Strip length: 5-6mm



ORDER INFORMATION

Product NO.: KLS2-206-5.00-XXP X X



TERMINAL BLOCK Connector

Screwless Series

KLS2-206B-5.00/7.50 Series Pitch=5.00mm/7.50mm

Electrical :

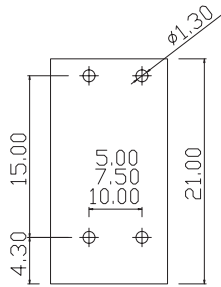
- Rated voltage: 300V
- Rated current: 10A
- Contact resistance: 20mΩ
- Insulation resistance: 5000MΩ/1000V
- Withstanding Voltage: AC2000V/1Min
- Wire range: 28-12AWG 2.5MM²

Material

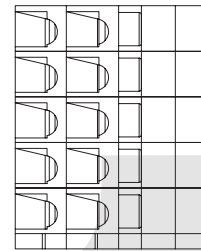
- Housing: PA66, UL94V-0
- Pin header: Copper, Tin plated

Mechanical

- Temp. Range: -40°C~+105°C
- Strip length: 6-7mm

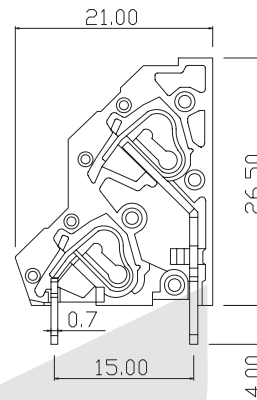
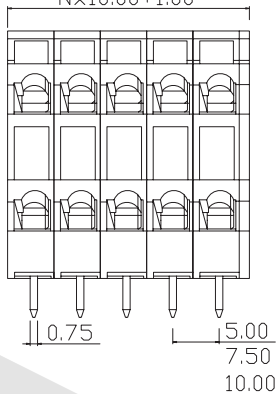


PCB LAYOUT



W/O COVER VIEW

N×5.00+1.00
N×7.50+1.00
N×10.00+1.00



ORDER INFORMATION

Product NO.: KLS2-206B-5.00-XXP X X

Pos. NO.

Series No.

Pitch: 5.00=5.00mm 7.50=7.50mm
10.00=10.00mm

Number of Pole

Customer Request

Color: 1=Gray
4=Green
7=Transparent

2=Blue
5=Orange
8=Yellow

3=Black
6=Red
9=White

TERMINAL BLOCK Connector



Screwless Series

KLS2-143R-7.62 Series Pitch=7.62mm

Electrical :

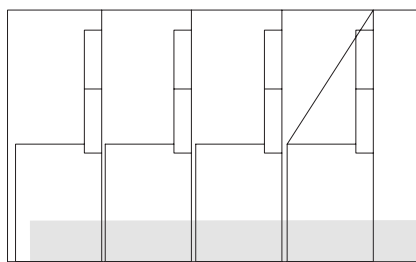
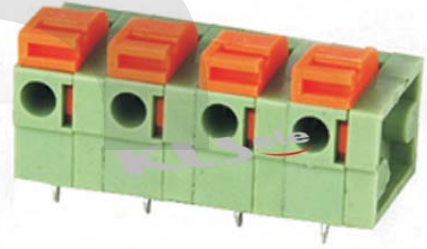
- Rated voltage: 300V
- Rated current: 10A
- Contact resistance: 20mΩ
- Insulation resistance: 5000MΩ/1000V
- Withstanding Voltage: AC2000V/1Min
- Wire range: 22-14AWG 1.5MM²

Material

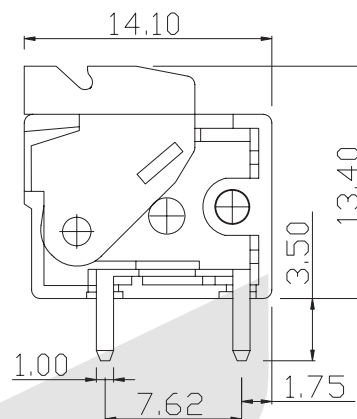
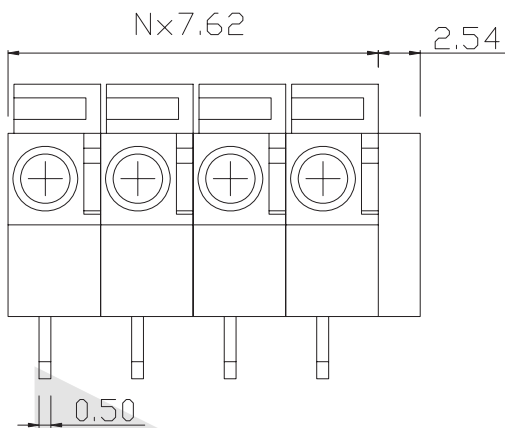
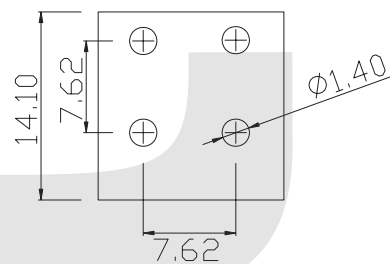
- Housing: PA66, UL94V-0
- Wire guard: Stainless steel
- Pin header: Brass, Tin plated

Mechanical

- Temp. Range: -40°C~+105°C
- MAX Soldering: +250°C for 5 Sec.
- Strip length: 10mm



PCB LAYOUT



ORDER INFORMATION

Product NO.: KLS2-143R-7.62-XXP X X

Pos. NO. _____

Series No. _____

Pitch: 7.62=7.62mm _____

Number of Pole _____

Customer Request

Color: 1=Gray 2=Blue 3=Black
4=Green 5=Orange 6=Red
7=Transparent 8=Yellow 9=White