

## Constant Current Driver

**Model:** CC18W250-400CG 1-10  
 CC21W350-500CG 1-10  
 CC33W500-800CG 1-10  
 CC35W550-850CG 1-10



Model	Output Current	Input Current	Input Power	Output Power Range	PF	Efficiency	Output Voltage	No load Voltage	
CC18W250-400CG 1-10	250mA	0.10A	13.1W	7.5-10.5W	0.8	80%	30-42V	59V	
	300mA	0.12A	15.5W	9-12.6W					
	350mA	0.12A	18.1W	10.5-14.7W	0.85	81%			
	400mA	0.12A	20.7W	12-16.8W					
CC21W350-500CG 1-10	350mA	0.12A	18.1W	10.5-14.7W	0.8	81%		30-42V	59V
	400mA	0.12A	20.7W	12-16.8W					
	450mA	0.15A	22.7W	13.5-18.9W	0.9	83%			
	500mA	0.20A	25.3W	15-21W					
CC33W500-800CG 1-10	500mA	0.20A	25W	15-21W	0.9	84%	30-42V		59V
	600mA	0.20A	30W	18-25.2W					
	700mA	0.22A	34.2W	21-29.4W	0.92	86%			
	800mA	0.22A	39W	24-33.6W					
CC35W550-850CG 1-10	550mA	0.20A	26.2W	16.5-22W	0.9	84%		30-40V	59V
	650mA	0.20A	30.9W	19.5-26W					
	750mA	0.22A	34.9W	22.5-30W	0.92	86%			
	850mA	0.22A	39.5W	25.5-34W					

\* Test result @230V, 50Hz, Full Load.

### 1. Parameters

category	Item	Technical Norm
Features	Output Type	Constant Current
	Dimming Type	1-10V
	Dimming range	10%-100%
	IP Grade	IP20
	Insulation Class	Class II
Input	Rated Input Voltage	220-240VAC
	Range of Input Voltage	198-264VAC
	Frequency	50/60Hz



	Input Current	≤0.22A (198VAC, full load)
	Input Power	≤43W (230VAC, full load)
	Power Factor	≥0.92 (230VAC, full load)
	THD	≤20% (230VAC, full load)
	No-load Power Consumption	≤0.5W @230VAC
	Inrush Current :	
	CC18W250-400CG 1-10 CC21W350-500CG 1-10 CC33W500-800CG 1-10 CC35W550-850CG 1-10	≤ 25A/2.4us (230VAC, Full-load) ≤ 28A/2.4us (230VAC, Full-load) ≤ 32A/2.8us (230VAC, Full-load) ≤ 33A/2.8us (230VAC, Full-load)
Output	Connected quantity of 16A Breaker :	
	CC18W250-400CG 1-10 CC21W350-500CG 1-10 CC33W500-800CG 1-10 CC35W550-850CG 1-10	30pcs/type B ; 45pcs/type C @ 230Vac 25pcs/type B ; 40pcs/type C @ 230Vac 25pcs/type B ; 40pcs/type C @ 230Vac 25pcs/type B ; 40pcs/type C @ 230Vac
	Current Accuracy	± 5%
	Max. Output Power	35.7W
	Started Delay Time	≤0.5S (230VAC, full load)
Protection	Current Ripple	± 5% (Imax-Imin) / (Imax+Imin)
	Short Circuit Protection	Auto Recovery
	Overload Protection	Auto Recovery
	No-load Protection	Auto Recovery
	Insulation voltage	I/P to O/P , 3KVac/1min
	Insulation resistance	>100M ohm @ 500VDC
Environment	Leakage current	I/P to O/P < 250 μ A
	Ta/Operation Temperature	18W,21W,33W,35W: -25...+50°C
	Ts/Storage Temperature	-10....+75°C
	Tc/Enclosure Temperature :	75 °C
	CC18W250-400CG 1-10 CC21W350-500CG 1-10	
	Tc/Enclosure Temperature :	85 °C
	CC33W500-800CG 1-10 CC35W550-850CG 1-10	
	Humidity	10%....90%RH
Construction	Atmosphere	86-108KPa
	Connection Method	Push-in Terminal
	Installation	Build-in & Independent
	PRI Wire preparation	0.75-1.5□
	SEC Wire preparation	0.5-1.5□
Dimension	Independent:137.6*44*30mm (L*W*H) Built in:97.8*44*30mm(L*W*H)	



Standards	Certification	complied to CE ENEC SAA
	Safety Standards	EN61347-1:2015,EN61347-2-13:2014/A1:2017,EN62493:2015,AS/NZSIEC61347.2.13:2013,AS/NZS 61347.1:2016
	EMC Standards	EN55015:2013/A1:2015,EN61000-3-2:2014,EN61000-3-3:2013,EN61547:2009
	Performance	EN62384
	Surge	L-N/1KV
Others	RoHS	Complied to 2011/65/EU
	Life Time	50000h @50°C (Ta) / 85°C (Tc)
	Warranty	5years , F.R. <10000ppm

Remark: 1.All Parameters, if not specified, are measured at 230VAC/50Hz and 25°C ambient temperature.  
 2.LED Driver is a component of the luminaires. Luminaires and wire layout will affect the EMC, please check the EMC with end products again.

## 2. Label

**KGP** LED Dimmable Driver  
**CC18W250-400CG 1-10**  
 KGP Electronics GmbH Hueckstraße 19 DE-58511 Lüdenscheid Constant Current Type For LED modules only

UN=220-240Vac 50/60Hz ta=-20°C - +50°C Uout:30-42Vdc Uout=Max.59Vdc ● tc=75°C LED + ■ LED I ■

PIN1	PIN2	Io(mA)	Po(W)	λ	IN(A)
OFF	OFF	250	10.5	0.80C	0.10
ON	OFF	300	12.6	0.85C	0.12
OFF	ON	350	14.7		
ON	ON	400	16.8		

8mm PRI 0.75-1.5 SEC 0.5-1.5 SELV

**KGP** LED Dimmable Driver  
**CC21W350-500CG 1-10**  
 KGP Electronics GmbH Hueckstraße 19 DE-58511 Lüdenscheid Constant Current Type For LED modules only

UN=220-240Vac 50/60Hz ta=-20°C - +50°C Uout:30-42Vdc Uout=Max.59Vdc ● tc=75°C LED + ■ LED I ■

PIN1	PIN2	Io(mA)	Po(W)	λ	IN(A)
OFF	OFF	350	14.7	0.80C	0.12
ON	OFF	400	16.8		
OFF	ON	450	18.9	0.90C	0.15
ON	ON	500	21		

8mm PRI 0.75-1.5 SEC 0.5-1.5 SELV

**KGP** LED Dimmable Driver  
 KGP Electronics GmbH  
 Hueckstraße 19  
 DE-58511 Lüdenscheid

**CC33W500-800CG 1-10**  
 Constant Current Type For LED modules only

$U_N=220-240Vac$  50/60Hz  $t_a=-20^{\circ}C - +50^{\circ}C$   
 $U_{out}:30-42Vdc$   $U_{out}=Max.59Vdc$  ●  $t_c=85^{\circ}C$

PIN1	PIN2	$I_o(mA)$	$P_o(W)$	$\lambda$	$I_n(A)$
OFF	OFF	500	21	0.90C	0.20
ON	OFF	600	25.2		
OFF	ON	700	29.4	0.92C	0.22
ON	ON	800	33.6		

8mm  
 PRI 0.75-1.5  
 SEC 0.5-1.5  
 1-10Vdc  
 LED + ■  
 LED I ■  
 SELV

**KGP** LED Dimmable Driver  
 KGP Electronics GmbH  
 Hueckstraße 19  
 DE-58511 Lüdenscheid

**CC35W550-850CG 1-10**  
 Constant Current Type For LED modules only

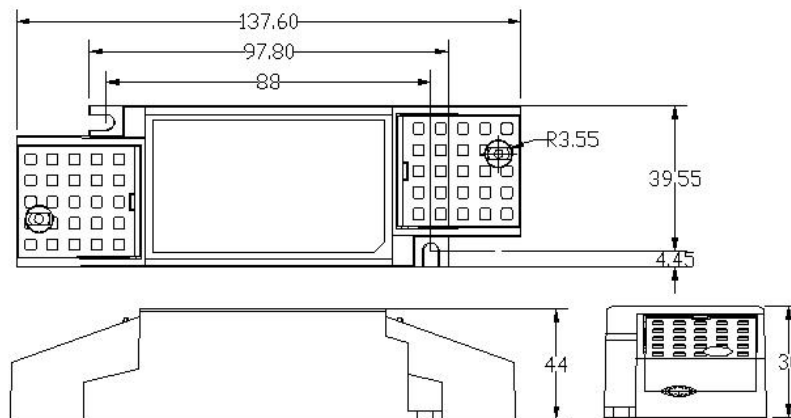
$U_N=220-240Vac$  50/60Hz  $t_a=-20^{\circ}C - +50^{\circ}C$   
 $U_{out}:30-40Vdc$   $U_{out}=Max.59Vdc$  ●  $t_c=85^{\circ}C$

PIN1	PIN2	$I_o(mA)$	$P_o(W)$	$\lambda$	$I_n(A)$
OFF	OFF	550	22	0.90C	0.20
ON	OFF	650	26		
OFF	ON	750	30	0.92C	0.22
ON	ON	850	34		

8mm  
 PRI 0.75-1.5  
 SEC 0.5-1.5  
 1-10Vdc  
 LED + ■  
 LED I ■  
 SELV

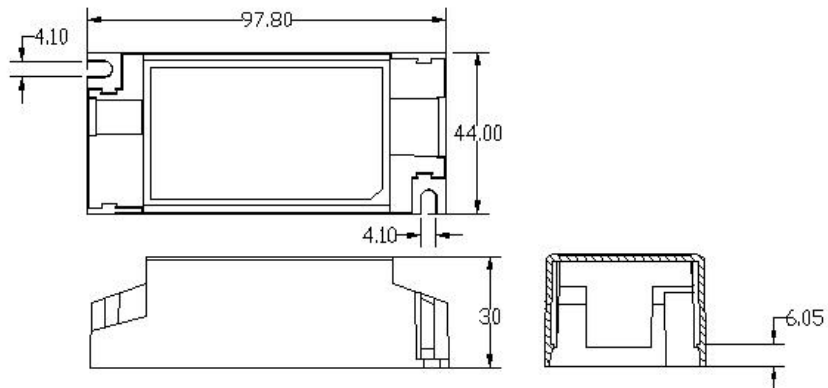
### 3. Dimension (Unit: mm)

Independent type:





Built in type:

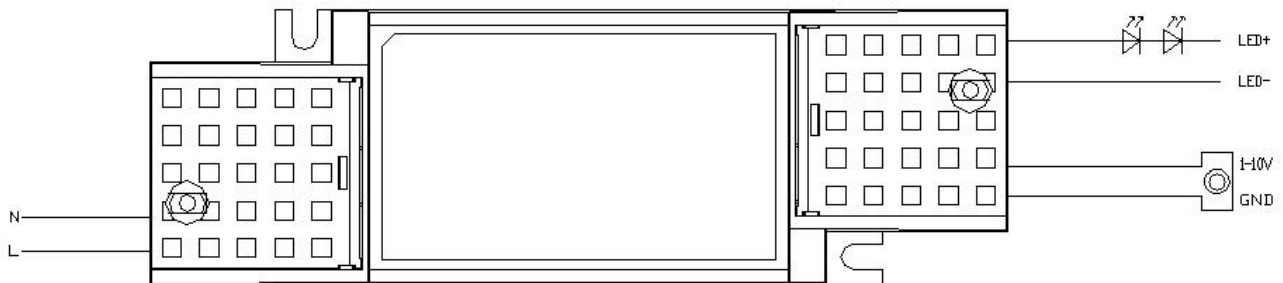


#### 4. Packing information

Carton L*W*H(mm)	Pcs/Carton	Net weight/ Pcs(kg)	Net weight/ Carton(kg)	Gross weight / Carton(kg)
447*240*200	85	0.1225	10.413	11.163

#### 5. Wiring Diagram

Independent type:



Built in type:

