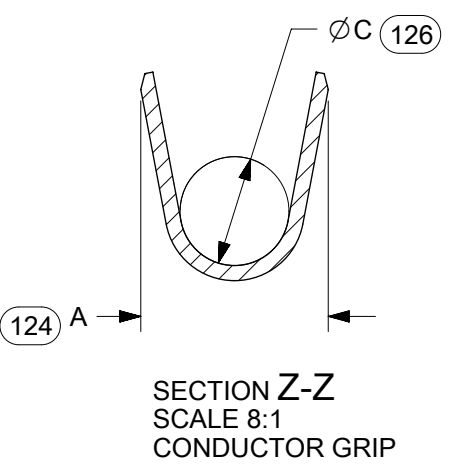
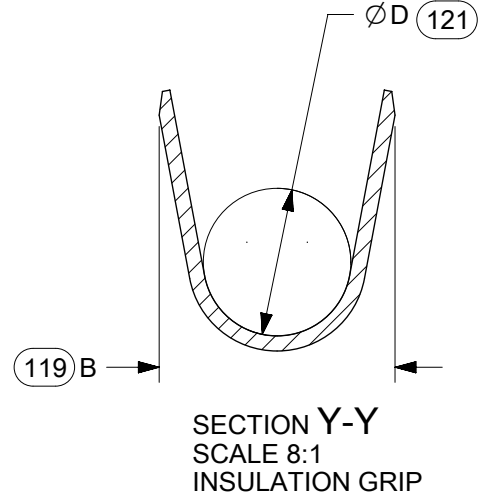
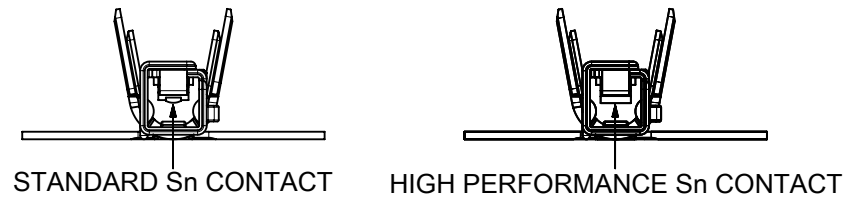
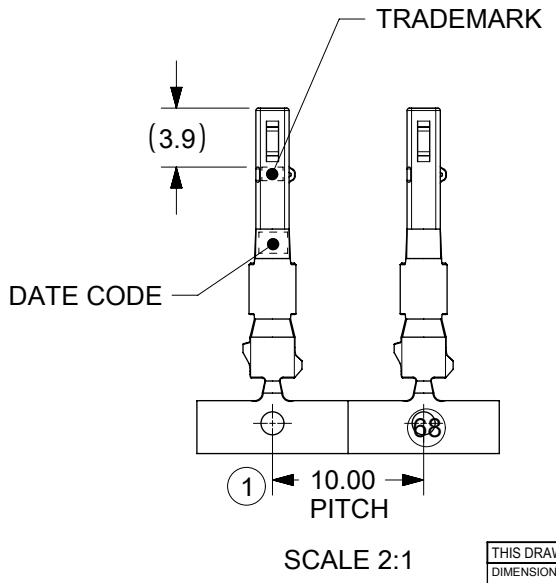
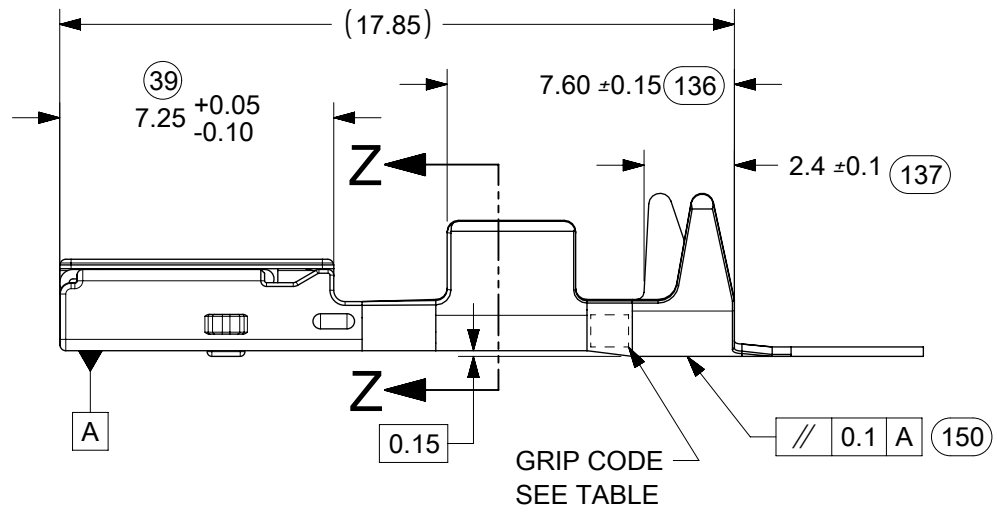
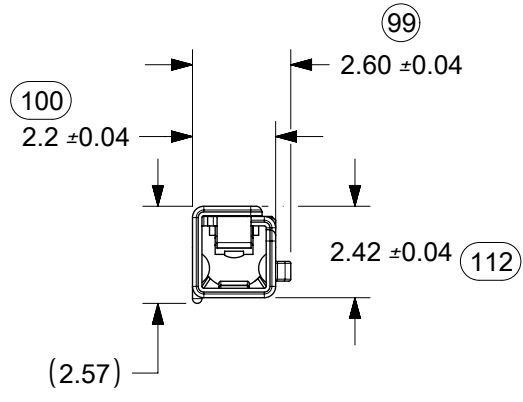
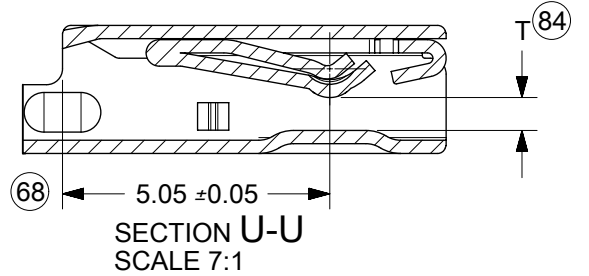
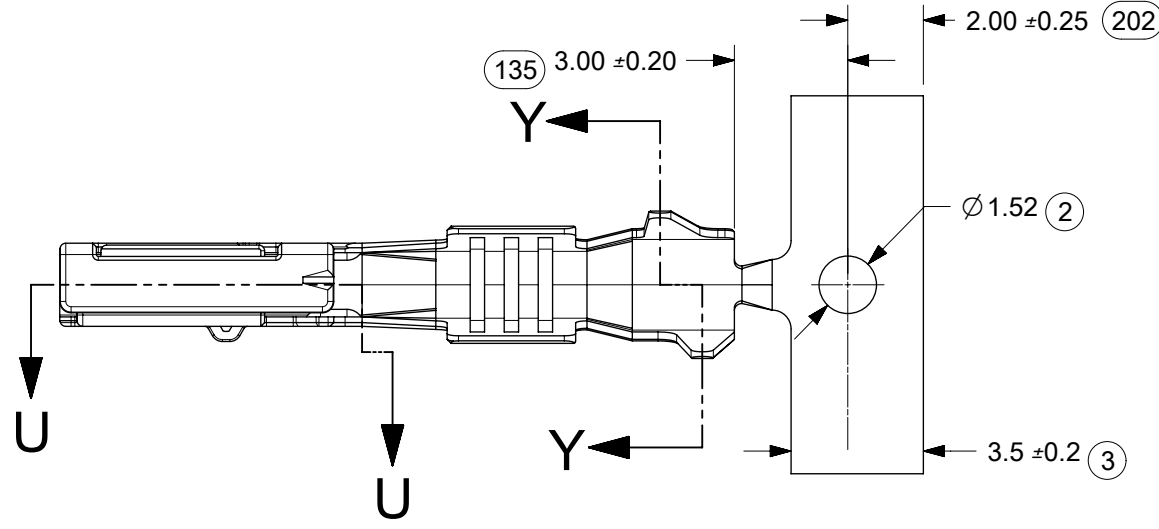


ISO VIEWS  
NOT TO SCALE

PART NUMBERS		GRIP	WIRE GAUGE		PLATING		VERSION	LUBRICATION	DIM A ±0.2	DIM B ± 0.3	DIM ØC ± 0.1	DIM ØD ± 0.1	DIM T
D-WIND (LEFT PAYOFF)	B-WIND (RIGHT PAYOFF)		METRIC	SAE AWG	TYPE	ID							
34805-0111	34805-0211	S	0.30-0.50	22	TIN	NO MARK	STANDARD	NO	2	2.6	1	1.54	0.62 ± 0.03
34805-0112	34805-0212	M	0.75-1.25	20/18	TIN (Sn)				2.6	3.2	1.5	1.98	
34805-0113	34805-0213	L	1.25-2.00	16/14					3.1	3.9	1.8	2.44	
34805-0411	34805-0511	S	0.35 - 0.50	-	TIN	0.1 mm RND INDENT	HIGH PERFORMANCE (HP)	YES SEE NOTE 5	2	2.6	1	1.54	0.62 +0.03 -0.06
34805-0412	34805-0512	M	0.75 - 1.25	-	TIN (Sn)				2.6	3.2	1.5	1.98	
34805-0413	34805-0513	L	1.25 - 2.00	-					3.1	3.9	1.8	2.44	

- NOTES: (UNLESS OTHERWISE SPECIFIED)
1. MATERIAL: COPPER ALLOY
  2. PACKAGING PER SD-31301-053
  3. CRIMPING PER AS-502307-001
  4. PROBING IS NOT PERMITTED AT ANY LOCATION ON TERMINAL CONTACT SURFACES
  5. 760G IN CONTACT AREA ONLY



THIS DRAWING CONTAINS INFORMATION THAT IS PROPRIETARY TO MOLEX ELECTRONIC TECHNOLOGIES, LLC AND SHOULD NOT BE USED WITHOUT WRITTEN PERMISSION

DIMENSION UNITS <b>mm</b>	SCALE <b>4:1</b>	CURRENT REV DESC: ADDED HIGH PERFORMANCE SN VERSION TO DRAWING. MIGRATED DRAWING TO NX		<b>molex</b>		
GENERAL TOLERANCES (UNLESS SPECIFIED)		EC NO: 640936				
ANGULAR TOL ± 1.0°		DRWN: RMV02	2020/07/06	PRODUCT CUSTOMER DRAWING		
4 PLACES ±		CHK'D: TOMSMITH	2020/07/07	DOCUMENT NUMBER		
3 PLACES ± 0.08		APPR: JCUATACERVAN	2020/07/15	SD-34805-001		
2 PLACES ± 0.08		INITIAL REVISION:		DOC TYPE	DOC PART	REVISION
1 PLACE ± 0.08		DRWN: SWLUO	2011/03/30	PSD	001	D
0 PLACES ±		APPR: BMOSE	2011/04/11	SHEET NUMBER		
DRAFT WHERE APPLICABLE MUST REMAIN WITHIN DIMENSIONS	THIRD ANGLE PROJECTION	DRAWING	SERIES	MATERIAL NUMBER	CUSTOMER	
		B-SIZE	34805	SEE NOTES	GENERAL MARKET	1 OF 1