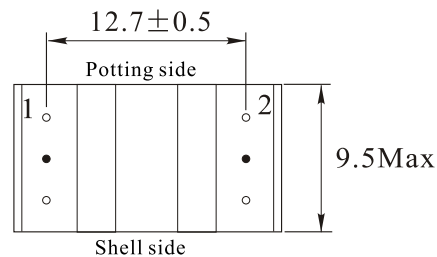
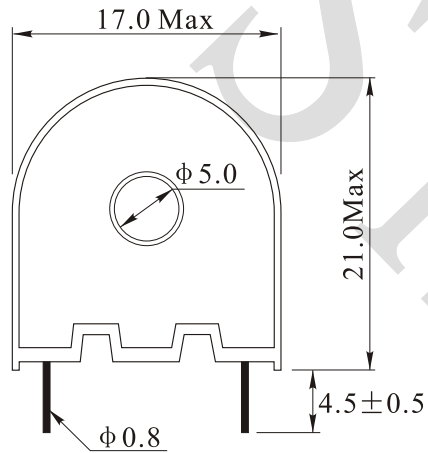
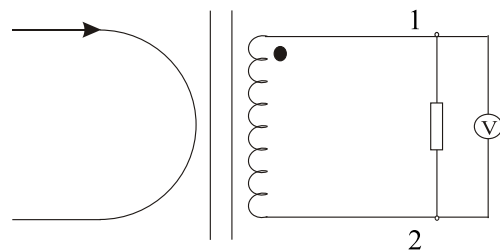


Rev.	Description	Date
A0	New release	2021.02.24

1. PHYSICAL CHARACTERISTICS (mm)



2. ELECTRONICAL SCHEMATIC



3. ELECTRONICAL SPECIFICATIONS

Rated current: 10A Max

Output voltage: $33\text{mV} \pm 10\%$ @Input 10A, Load $50\ \Omega$

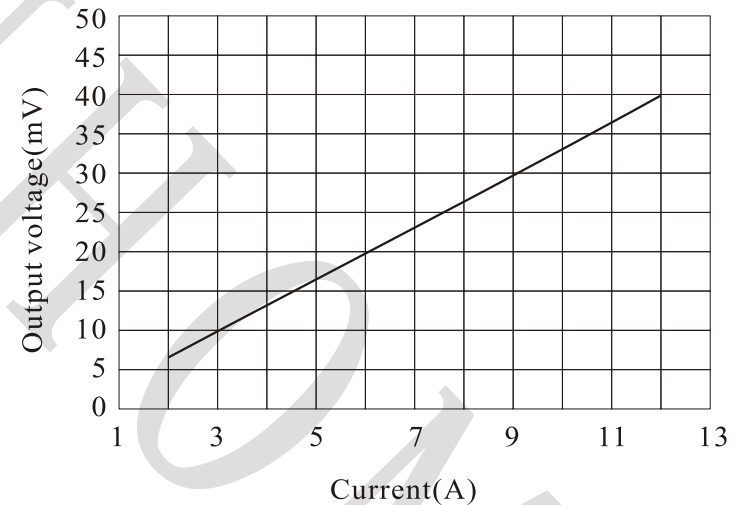
DCR: $2.2\ \Omega \pm 15\%$

Insulation strength: 2.5KVac, 1mA, 50Hz, 60S

Operating temperature: -40°C to $+120^\circ\text{C}$

Storage temperature: -40°C to $+120^\circ\text{C}$

Response curve



SHINHOM

SHAANXISHINHOM ENTERPRISE CO LTD

The Document property belong to SHINHOM & is not allowed to be duplicated without authorization

NAME:	Current transformer		
CUSTOMER P/N:	ASM-010	DATE:	2021-02-24
SHINHOM P/N:	ACST182046-10A-33mV	REV:	A0
		PAGE	
DRAWN BY	CHECKED BY	APPROVE BY	