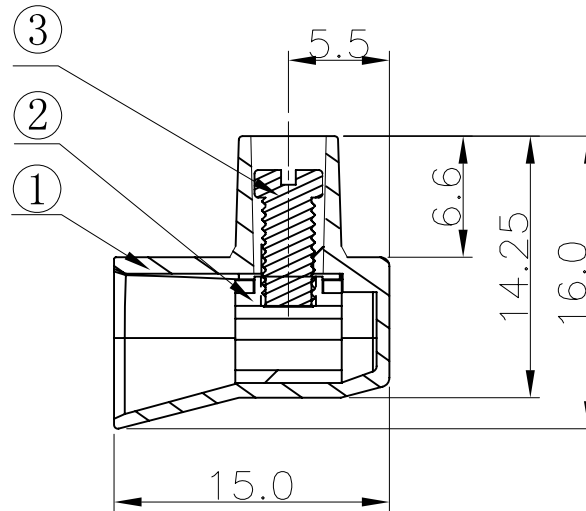
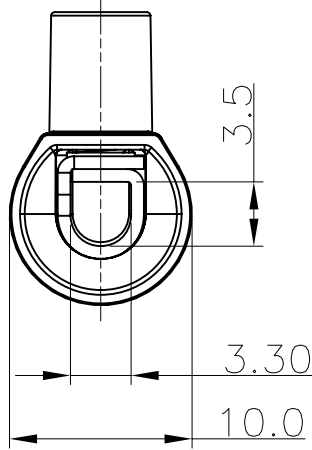
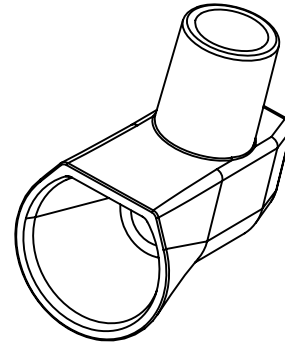
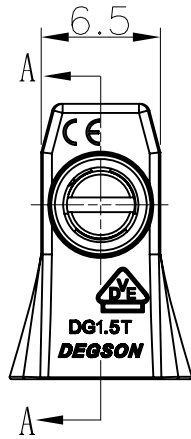


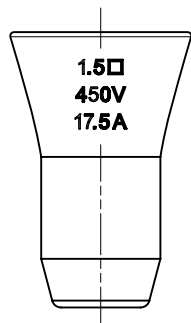
REVISION RECORD				
REV	ECN	DESCRIPTION	DRFT	DATE



Section A-A

Notes:

1. Ploes:1P
2. Rated voltage/Current:IEC 450V 17.5A
3. Operation temperatures:-40°C~+85°C
4. Withstanding Voltage:AC2500V/1min
5. Insulation Resistance:5000MΩ/DC1000V
6. Wire Range:2x1.5mm²
7. Max. Torque Value:M3.0, 5.10Kgf.cm.



3	DG1.5T"-Screw	S000004140(H)	1	Steel	Cr ³⁺ Zn
2	DG1.5T-Current carrier	X000003460(H)	1	Steel	Cr ³⁺ Zn

1	DG1.5T-Housing	2040A0Y01A(H)	1	PC	UL94V-2																											
ITEM	NAME OF PART	NO. OF PART	Q"TY	MATERIAL	NOTES																											
<table border="1"> <tr> <td>← MM (INCH) →</td> <td>DFTO Apple</td> <td>DATE 07/18/08*</td> </tr> <tr> <td>TOLERANCES EXCEPT AS NOTED</td> <td>CHKD</td> <td>DATE</td> </tr> <tr> <td></td> <td>MFO</td> <td>DATE</td> </tr> <tr> <td>MM</td> <td>APPVL</td> <td>DATE</td> </tr> <tr> <td>0-30 ±0.25</td> <td></td> <td></td> </tr> <tr> <td>30-60 ±0.3</td> <td></td> <td></td> </tr> <tr> <td>60-100 ±0.5</td> <td></td> <td></td> </tr> <tr> <td>100-150 ±0.7</td> <td></td> <td></td> </tr> <tr> <td>over150 ±1.0</td> <td></td> <td></td> </tr> </table>		← MM (INCH) →	DFTO Apple	DATE 07/18/08*	TOLERANCES EXCEPT AS NOTED	CHKD	DATE		MFO	DATE	MM	APPVL	DATE	0-30 ±0.25			30-60 ±0.3			60-100 ±0.5			100-150 ±0.7			over150 ±1.0			<p style="text-align: center;">DEGSON[®] 宁波高正电子有限公司 DEGSON ELECTRONICS CO., LTD</p>		<p style="text-align: center;">NAME DG1.5T-01P-1Y-100A(H)</p>	
← MM (INCH) →	DFTO Apple	DATE 07/18/08*																														
TOLERANCES EXCEPT AS NOTED	CHKD	DATE																														
	MFO	DATE																														
MM	APPVL	DATE																														
0-30 ±0.25																																
30-60 ±0.3																																
60-100 ±0.5																																
100-150 ±0.7																																
over150 ±1.0																																
<p>ANGLES ± 1'</p>		<p>G.E :</p>		<p>DRAWING NO. DG1.5T-E02</p>																												
<p>THIRD ANGLE PROJECTION</p>		<p>FINISH :</p>		<p>SIZE A4</p>																												
<p>SCALE :</p>		<p>DO NOT SCALE DRAWING</p>		<p>REV TO 03/20/10*</p>																												
<p>SHEET 1 OF 1</p>			<p>1</p>																													