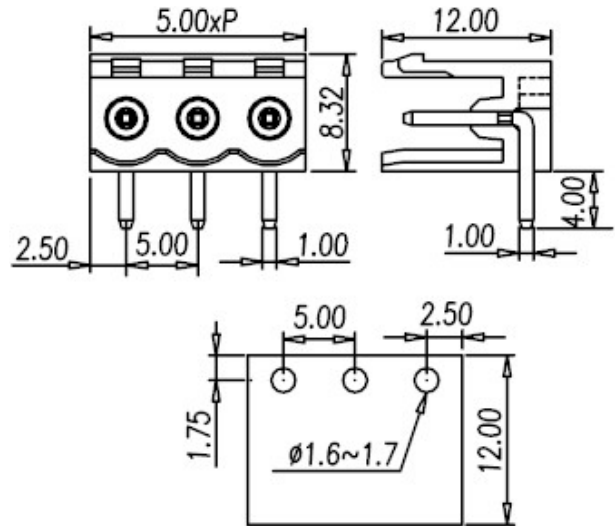
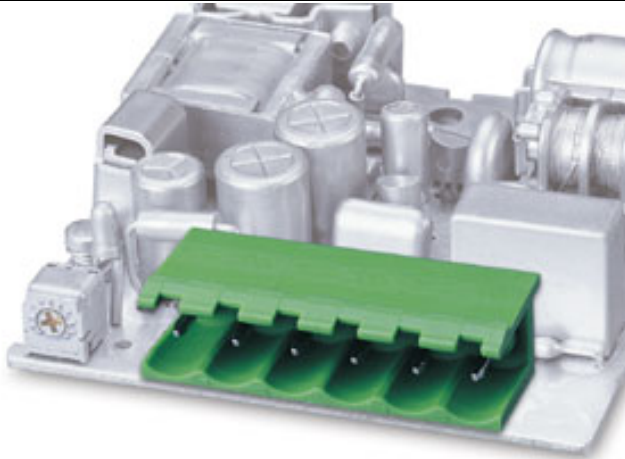





Headers(Sockets) for pluggable terminal blocks / ECH & EHD series



5EHDR



Pitch: 5.00mm

Approval	  	
Technical Data	UL	IEC
Rated voltage	300V	250A
Rated current	15A	17.5A
Wire range		
Solid wire (AWG)		
Stranded wire (AWG/mm ²)		
Rated surge voltage (UL/IEC/Max.)	1.6 / 2 / 4 KV	
Torque (Lb-in)		
Screw		
Wire strip length		
Pole	Cat. No.	
02	5EHDR-02P	
:	:	
:	:	
24	5EHDR-24P	

TEL: +886-2-2908-0614

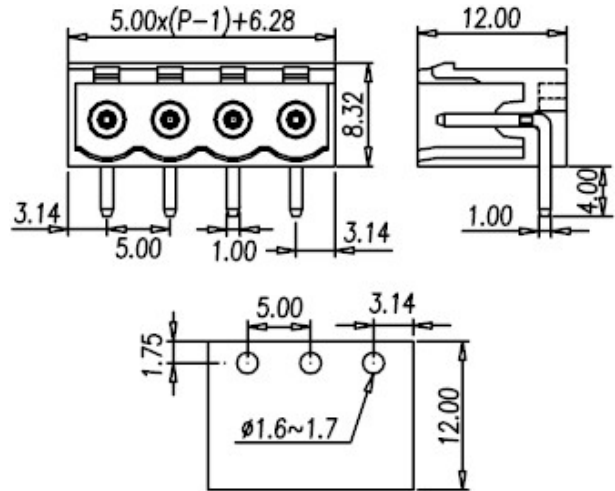
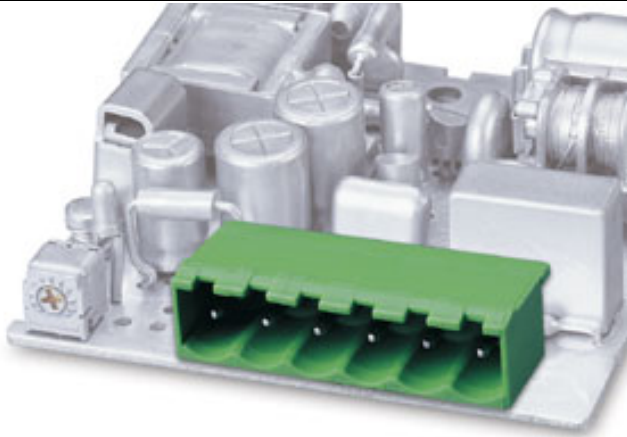
FAX: +886-2-2908-8549

E-mail: infor@dinkle.com.tw

Headers(Sockets) for pluggable terminal blocks / ECH & EHD series



5EHDR



Pitch: 5.00mm

Approval		
Technical Data	UL	IEC
Rated voltage	300V	250A
Rated current	15A	17.5A
Wire range		
Solid wire (AWG)		
Stranded wire (AWG/mm ²)		
Rated surge voltage (UL/IEC/Max.)	1.6 / 2 / 4 KV	
Torque (Lb-in)		
Screw		
Wire strip length		
Pole	Cat. No.	
02	5EHDR-02P	
:	:	
:	:	
24	5EHDR-24P	

TEL: +886-2-2908-0614

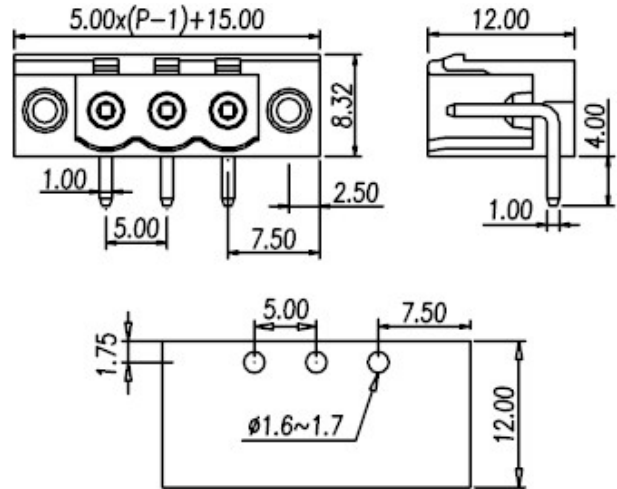
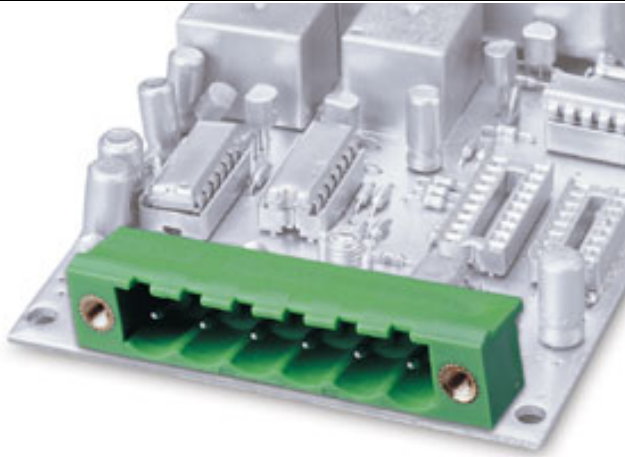
FAX: +886-2-2908-8549

E-mail: infor@dinkle.com.tw




Headers(Sockets) for pluggable terminal blocks / ECH & EHD series



5EHDRM



Pitch: 5.00mm

Approval	  	
Technical Data	UL	IEC
Rated voltage	300V	250A
Rated current	15A	17.5A
Wire range		
Solid wire (AWG)		
Stranded wire (AWG/mm ²)		
Rated surge voltage (UL/IEC/Max.)	1.6 / 2 / 4 KV	
Torque (Lb-in)		
Screw		
Wire strip length		
Pole	Cat. No.	
02	5EHDRM-02P	
:	:	
:	:	
24	5EHDRM-24P	

TEL: +886-2-2908-0614

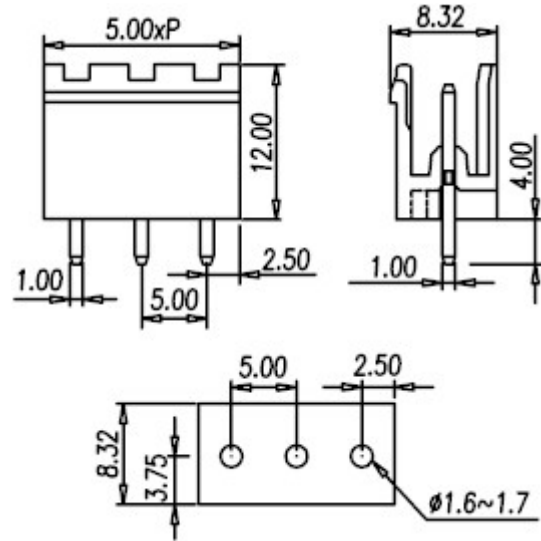
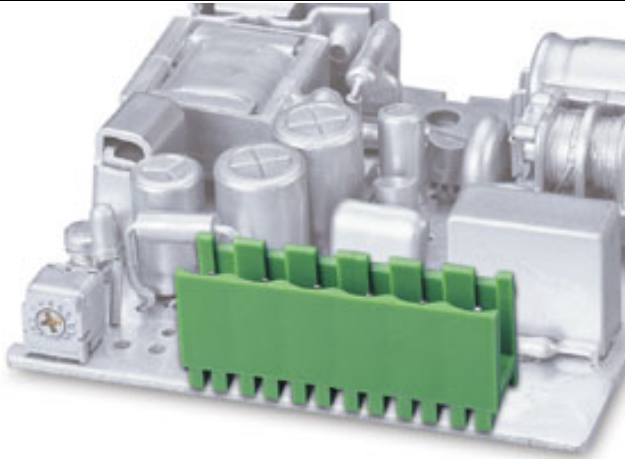
FAX: +886-2-2908-8549

E-mail: infor@dinkle.com.tw




Headers(Sockets) for pluggable terminal blocks / ECH & EHD series



5EHDV



Pitch: 5.00mm

Approval	  	
Technical Data	UL	IEC
Rated voltage	300V	250A
Rated current	15A	17.5A
Wire range		
Solid wire (AWG)		
Stranded wire (AWG/mm ²)		
Rated surge voltage (UL/IEC/Max.)	1.6 / 2 / 4 KV	
Torque (Lb-in)		
Screw		
Wire strip length		
Pole	Cat. No.	
02	5EHDV-02P	
:	:	
:	:	
24	5EHDV-24P	

TEL: +886-2-2908-0614

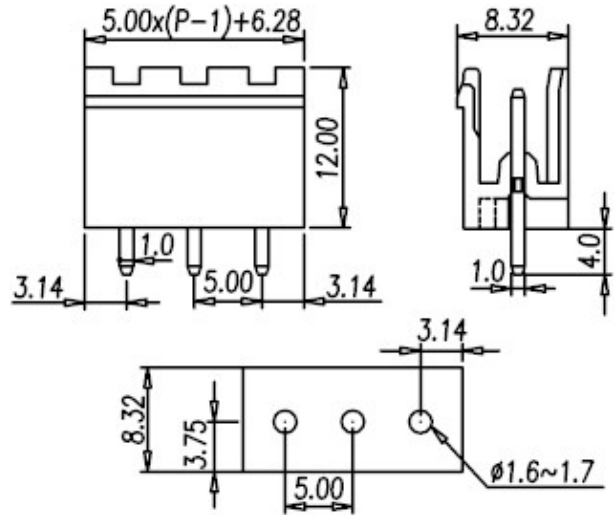
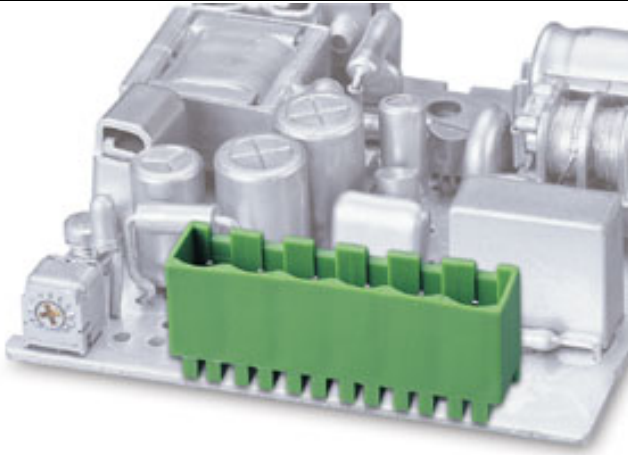
FAX: +886-2-2908-8549

E-mail: infor@dinkle.com.tw




Headers(Sockets) for pluggable terminal blocks / ECH & EHD series



5EHDVC



Pitch: 5.00mm

Approval	  	
Technical Data	UL	IEC
Rated voltage	300V	250A
Rated current	15A	17.5A
Wire range		
Solid wire (AWG)		
Stranded wire (AWG/mm ²)		
Rated surge voltage (UL/IEC/Max.)	1.6 / 2 / 4 KV	
Torque (Lb-in)		
Screw		
Wire strip length		
Pole	Cat. No.	
02	5EHDVC-02P	
:	:	
:	:	
24	5EHDVC-24P	

TEL: +886-2-2908-0614

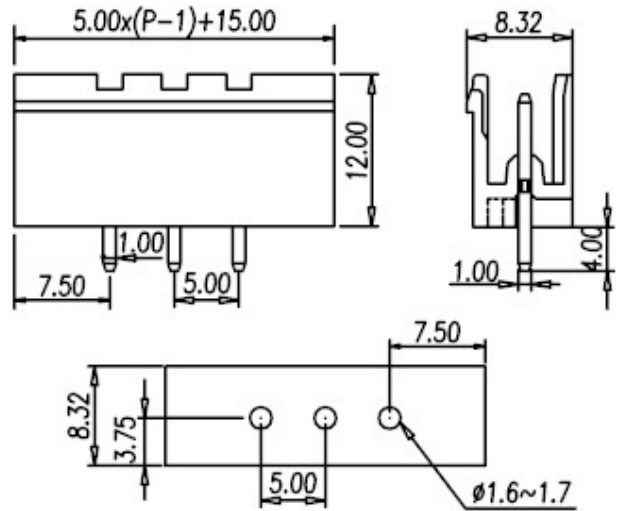
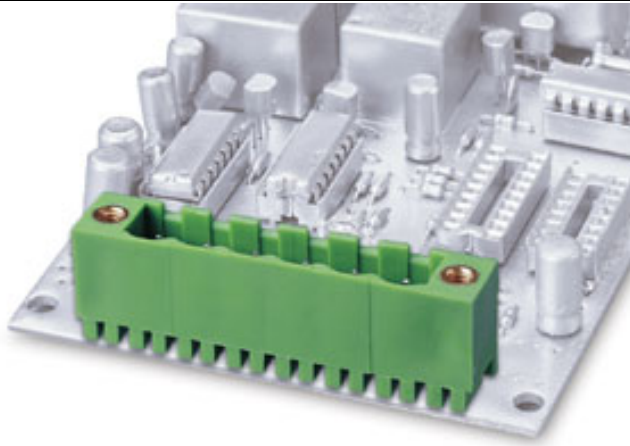
FAX: +886-2-2908-8549

E-mail: infor@dinkle.com.tw




Headers(Sockets) for pluggable terminal blocks / ECH & EHD series



5EHDVM



Pitch: 5.00mm

Approval	  	
Technical Data	UL	IEC
Rated voltage	300V	250A
Rated current	15A	17.5A
Wire range		
Solid wire (AWG)		
Stranded wire (AWG/mm ²)		
Rated surge voltage (UL/IEC/Max.)	1.6 / 2 / 4 KV	
Torque (Lb-in)		
Screw		
Wire strip length		
Pole	Cat. No.	
02	5EHDVM-02P	
:	:	
:	:	
24	5EHDVM-24P	

TEL: +886-2-2908-0614

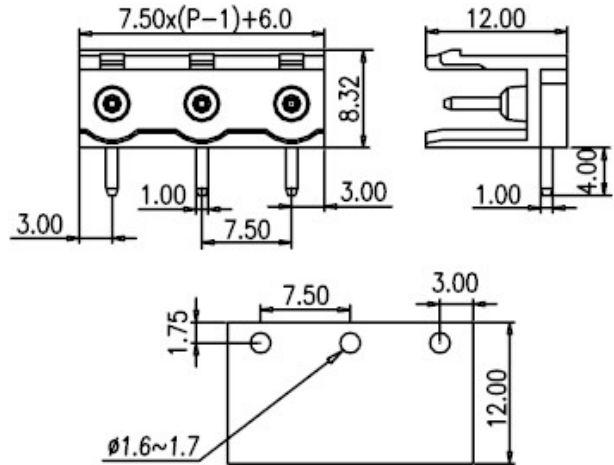
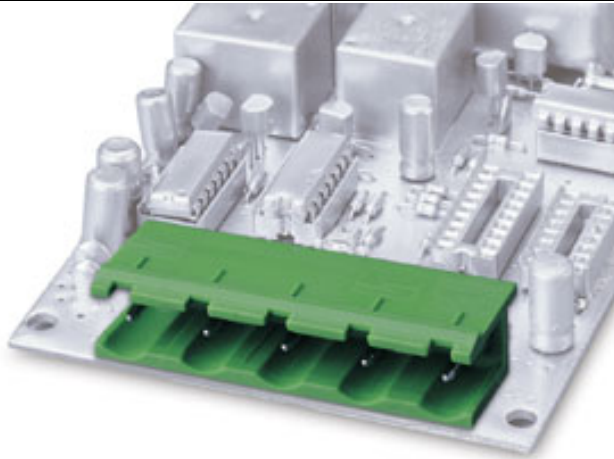
FAX: +886-2-2908-8549

E-mail: infor@dinkle.com.tw



Headers(Sockets) for pluggable terminal blocks / ECH & EHD series



7EHDR



Pitch: 7.50mm

Approval	 	
Technical Data	UL	IEC
Rated voltage	300V	750A
Rated current	15A	17.5A
Wire range		
Solid wire (AWG)		
Stranded wire (AWG/mm ²)		
Rated surge voltage (UL/IEC/Max.)	1.6 / 3 / 4 KV	
Torque (Lb-in)		
Screw		
Wire strip length		
Pole	Cat. No.	
02	7EHDR-02P	
:	:	
:	:	
14	7EHDR-14P	

TEL: +886-2-2908-0614

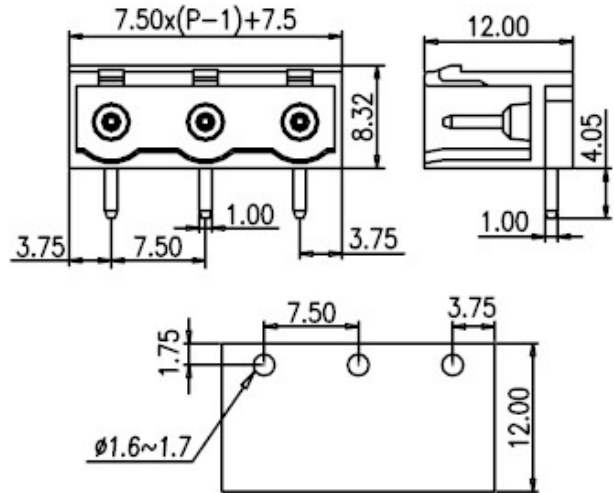
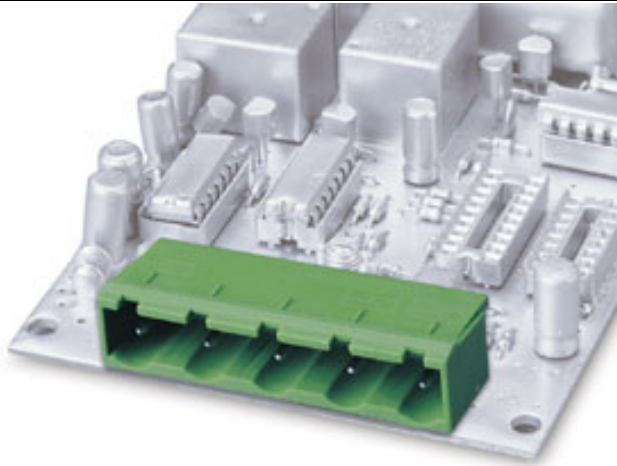
FAX: +886-2-2908-8549

E-mail: infor@dinkle.com.tw



Headers(Sockets) for pluggable terminal blocks / ECH & EHD series



7EHDRC



Pitch: 7.50mm

Approval	 	
Technical Data	UL	IEC
Rated voltage	300V	750A
Rated current	15A	17.5A
Wire range		
Solid wire (AWG)		
Stranded wire (AWG/mm ²)		
Rated surge voltage (UL/IEC/Max.)	1.6 / 3 / 4 KV	
Torque (Lb-in)		
Screw		
Wire strip length		
Pole	Cat. No.	
02	7EHDRC-02P	
:	:	
:	:	
14	7EHDRC-14P	

TEL: +886-2-2908-0614

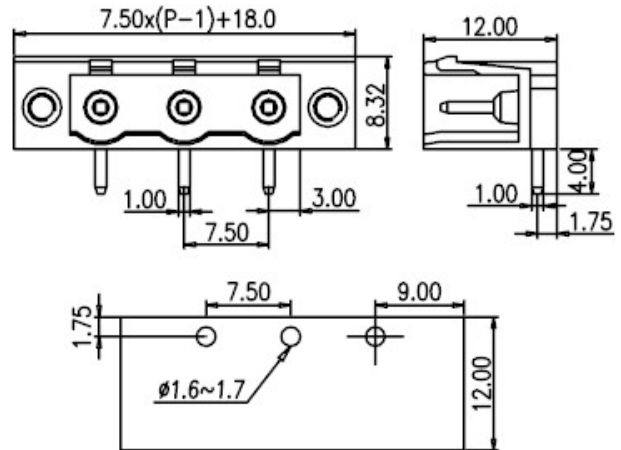
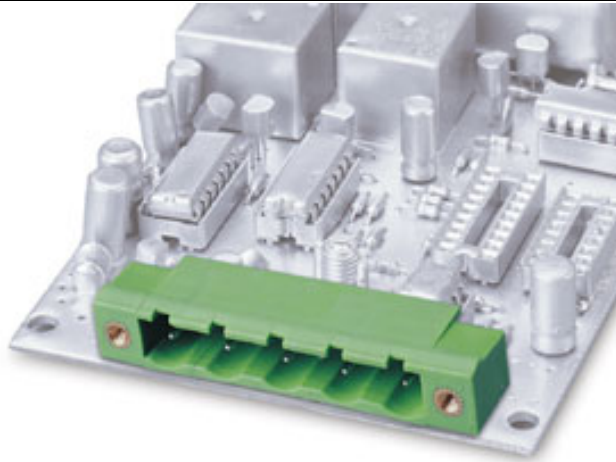
FAX: +886-2-2908-8549

E-mail: infor@dinkle.com.tw

Headers(Sockets) for pluggable terminal blocks / ECH & EHD series



7EHDRM



Pitch: 7.50mm

Approval		
Technical Data	UL	IEC
Rated voltage	300V	750A
Rated current	15A	17.5A
Wire range		
Solid wire (AWG)		
Stranded wire (AWG/mm ²)		
Rated surge voltage (UL/IEC/Max.)	1.6 / 3 / 4 KV	
Torque (Lb-in)		
Screw		
Wire strip length		
Pole	Cat. No.	
02	7EHDRM-02P	
:	:	
:	:	
14	7EHDRM-14P	

TEL: +886-2-2908-0614

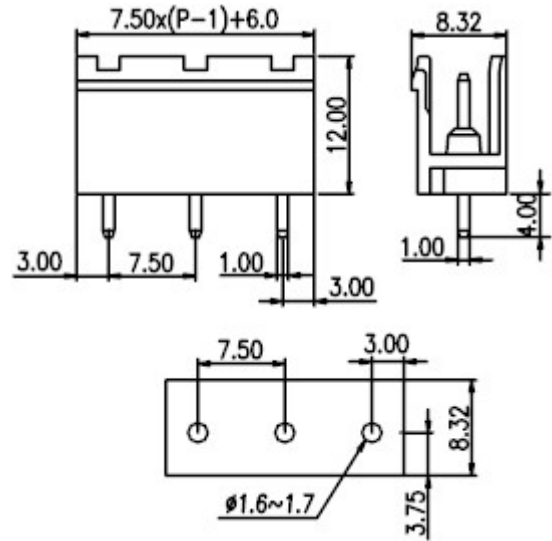
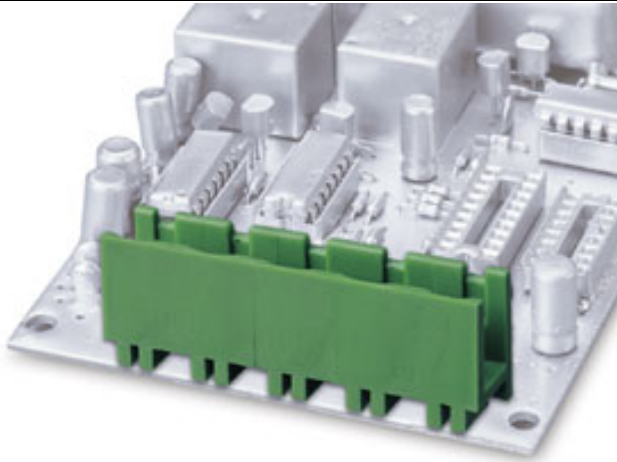
FAX: +886-2-2908-8549

E-mail: infor@dinkle.com.tw



Headers(Sockets) for pluggable terminal blocks / ECH & EHD series



7EHDV



Pitch: 7.50mm

Approval	 	
Technical Data	UL	IEC
Rated voltage	300V	750A
Rated current	15A	17.5A
Wire range		
Solid wire (AWG)		
Stranded wire (AWG/mm ²)		
Rated surge voltage (UL/IEC/Max.)	1.6 / 3 / 4 KV	
Torque (Lb-in)		
Screw		
Wire strip length		
Pole	Cat. No.	
02	7EHDV-02P	
:	:	
:	:	
14	7EHDV-14P	

TEL: +886-2-2908-0614

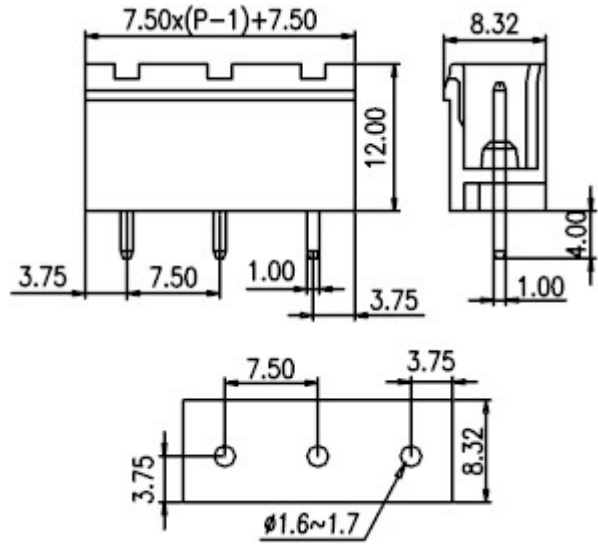
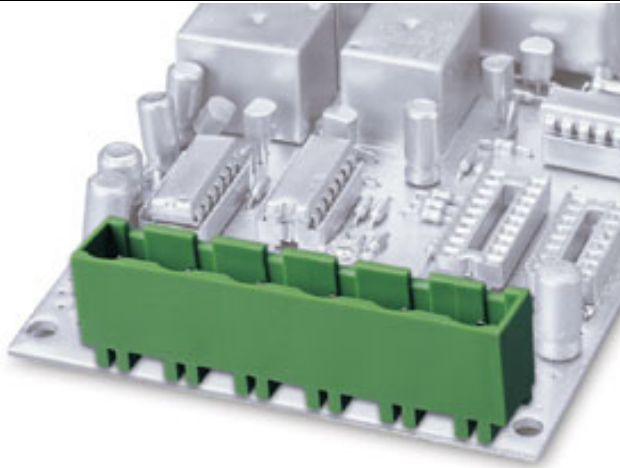
FAX: +886-2-2908-8549

E-mail: infor@dinkle.com.tw



Headers(Sockets) for pluggable terminal blocks / ECH & EHD series



7EHDVC



Pitch: 7.50mm

Approval	 	
Technical Data	UL	IEC
Rated voltage	300V	750A
Rated current	15A	17.5A
Wire range		
Solid wire (AWG)		
Stranded wire (AWG/mm ²)		
Rated surge voltage (UL/IEC/Max.)	1.6 / 3 / 4 KV	
Torque (Lb-in)		
Screw		
Wire strip length		
Pole	Cat. No.	
02	7EHDVC-02P	
:	:	
:	:	
14	7EHDVC-14P	

TEL: +886-2-2908-0614

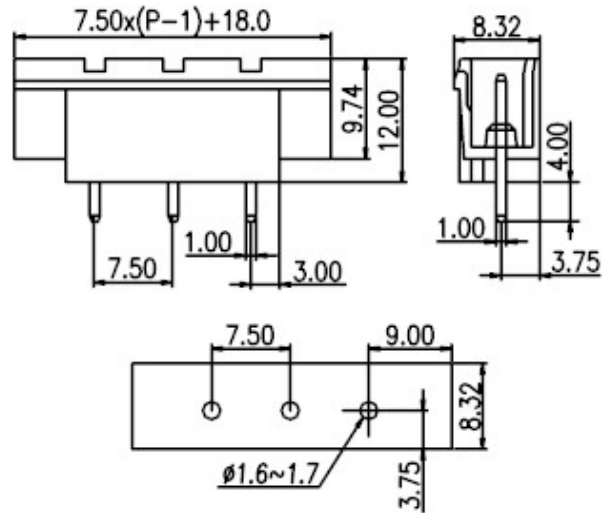
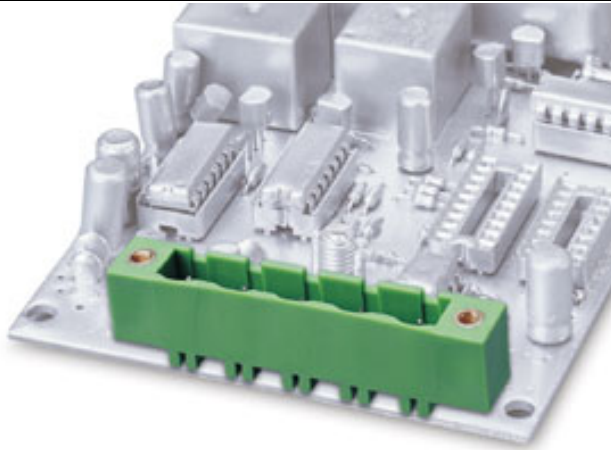
FAX: +886-2-2908-8549

E-mail: infor@dinkle.com.tw



Headers(Sockets) for pluggable terminal blocks / ECH & EHD series



7EHDVM



Pitch: 7.50mm

Approval	 	
Technical Data	UL	IEC
Rated voltage	300V	750A
Rated current	15A	17.5A
Wire range		
Solid wire (AWG)		
Stranded wire (AWG/mm ²)		
Rated surge voltage (UL/IEC/Max.)	1.6 / 3 / 4 KV	
Torque (Lb-in)		
Screw		
Wire strip length		
Pole	Cat. No.	
02	7EHDVM-02P	
:	:	
:	:	
14	7EHDVM-14P	

TEL: +886-2-2908-0614

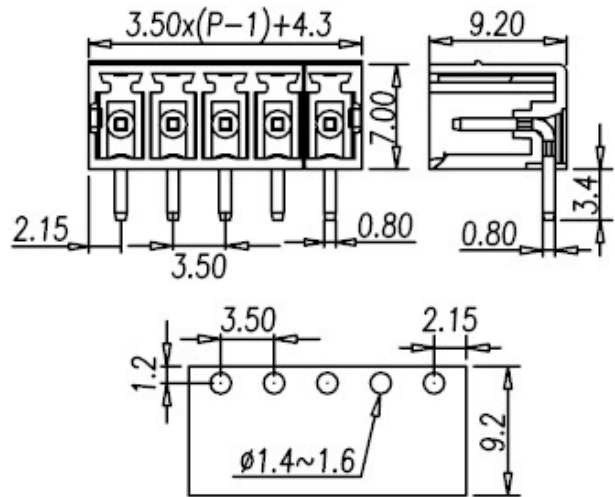
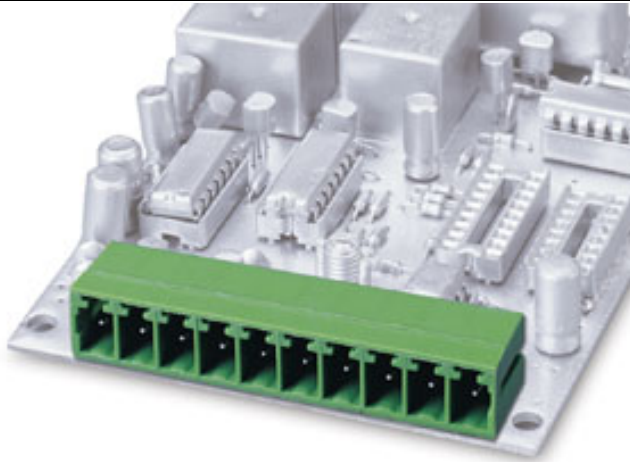
FAX: +886-2-2908-8549

E-mail: infor@dinkle.com.tw

Headers(Sockets) for pluggable terminal blocks / ECH & EHD series



ECH350R



Pitch: 3.50mm

Approval		
Technical Data	UL	IEC
Rated voltage	300V	130A
Rated current	8A	8A
Wire range		
Solid wire (AWG)		
Stranded wire (AWG/mm ²)		
Rated surge voltage (UL/IEC/Max.)	1.6 / 1.25 / 3 KV	
Torque (Lb-in)		
Screw		
Wire strip length		
Pole	Cat. No.	
02	ECH350R-02P	
:	:	
:	:	
24	ECH350R-24P	

TEL: +886-2-2908-0614

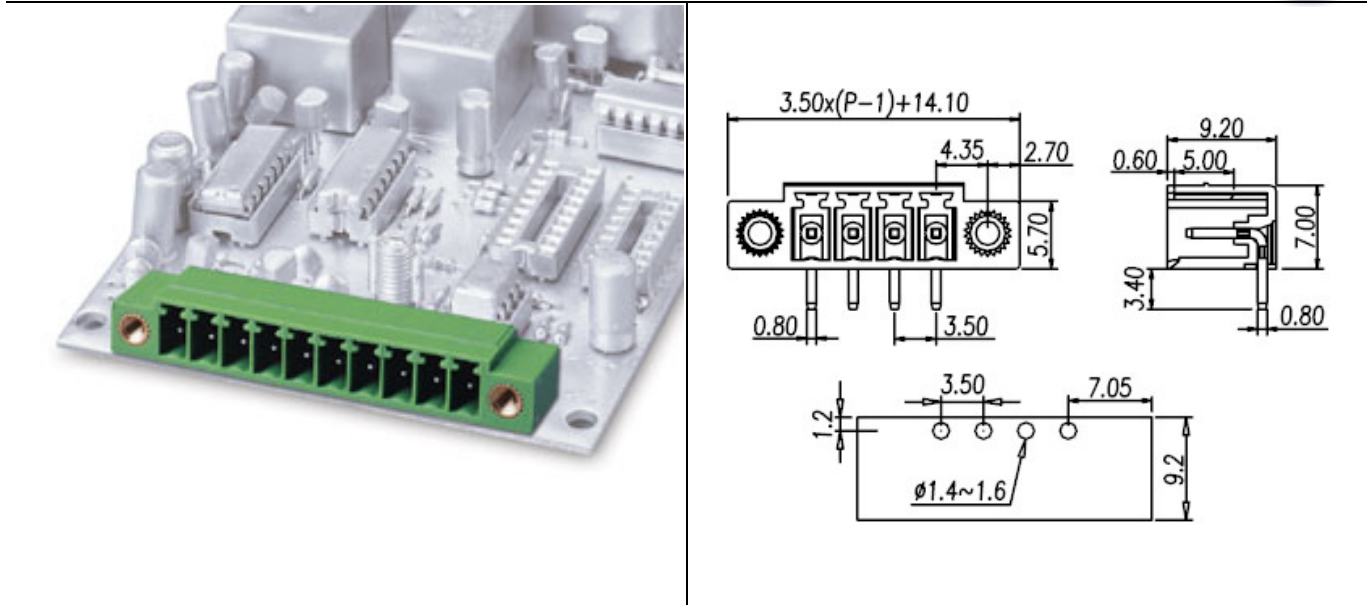
FAX: +886-2-2908-8549

E-mail: infor@dinkle.com.tw

Headers(Sockets) for pluggable terminal blocks / ECH & EHD series



ECH350RM



Pitch: 3.50mm

Approval	UL	
Technical Data	UL	IEC
Rated voltage	300V	130A
Rated current	8A	8A
Wire range		
Solid wire (AWG)		
Stranded wire (AWG/mm ²)		
Rated surge voltage (UL/IEC/Max.)	1.6 / 1.25 / 3 KV	
Torque (Lb-in)		
Screw		
Wire strip length		
Pole	Cat. No.	
02	ECH350RM-02P	
:	:	
:	:	
24	ECH350RM-24P	

TEL: +886-2-2908-0614

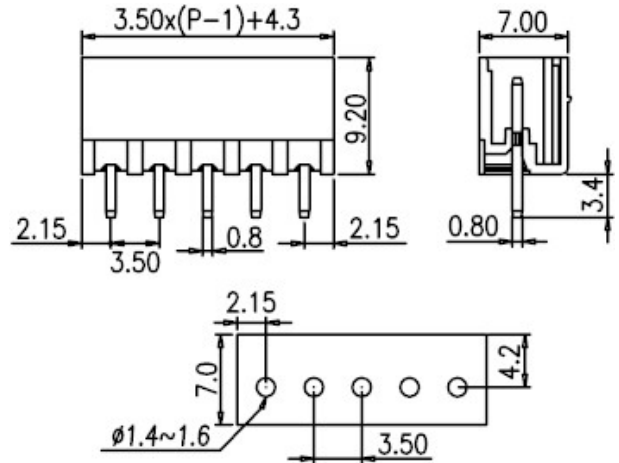
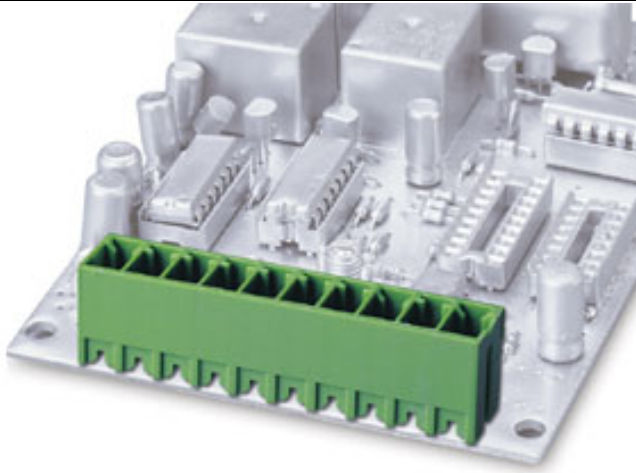
FAX: +886-2-2908-8549

E-mail: infor@dinkle.com.tw

Headers(Sockets) for pluggable terminal blocks / ECH & EHD series



ECH350V



Pitch: 3.50mm

Approval	UL	
Technical Data	UL	IEC
Rated voltage	300V	130A
Rated current	8A	8A
Wire range		
Solid wire (AWG)		
Stranded wire (AWG/mm ²)		
Rated surge voltage (UL/IEC/Max.)	1.6 / 1.25 / 3 KV	
Torque (Lb-in)		
Screw		
Wire strip length		
Pole	Cat. No.	
02	ECH350V-02P	
:	:	
:	:	
24	ECH350V-24P	

TEL: +886-2-2908-0614

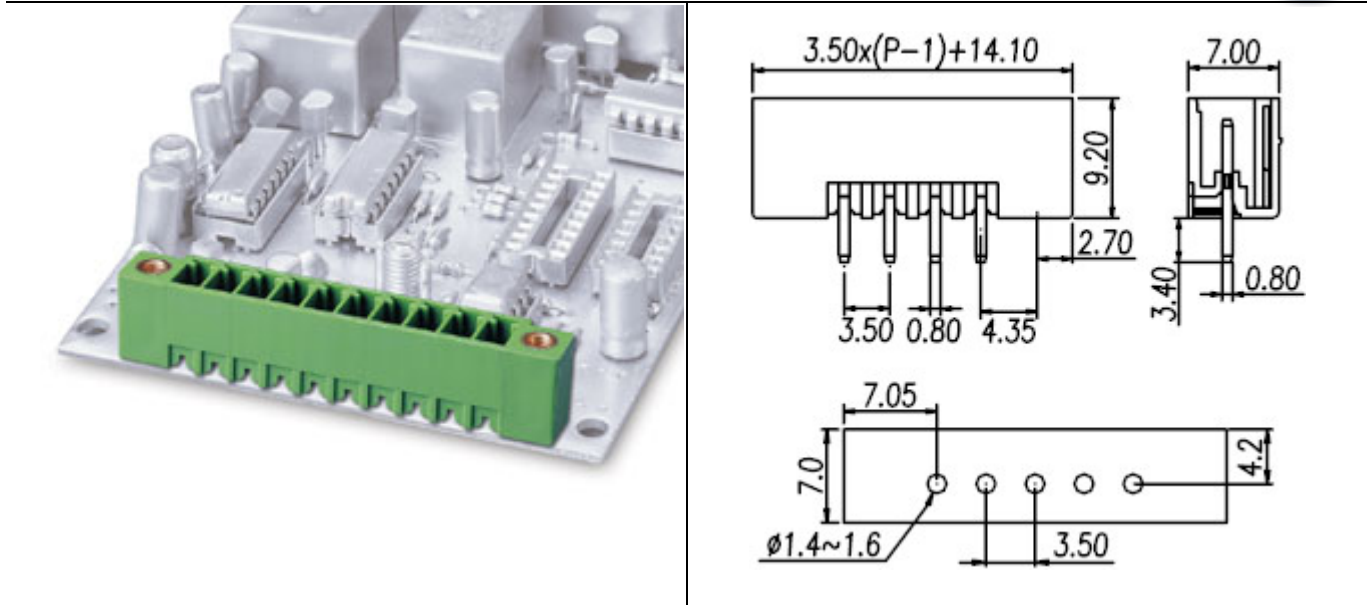
FAX: +886-2-2908-8549

E-mail: infor@dinkle.com.tw

Headers(Sockets) for pluggable terminal blocks / ECH & EHD series



ECH350VM



Pitch: 3.50mm

Approval	UL	
Technical Data	UL	IEC
Rated voltage	300V	130A
Rated current	8A	8A
Wire range		
Solid wire (AWG)		
Stranded wire (AWG/mm ²)		
Rated surge voltage (UL/IEC/Max.)	1.6 / 1.25 / 3 KV	
Torque (Lb-in)		
Screw		
Wire strip length		
Pole	Cat. No.	
02	ECH350VM-02P	
:	:	
:	:	
24	ECH350VM-24P	

TEL: +886-2-2908-0614

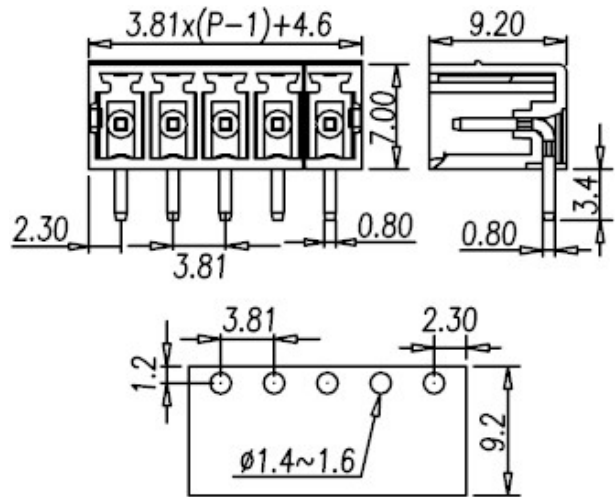
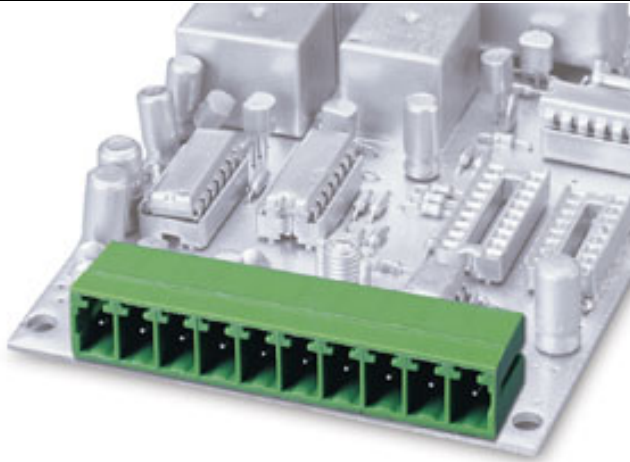
FAX: +886-2-2908-8549

E-mail: infor@dinkle.com.tw

Headers(Sockets) for pluggable terminal blocks / ECH & EHD series



ECH381R



Pitch: 3.81mm

Approval	UL	
Technical Data	UL	IEC
Rated voltage	300V	130A
Rated current	8A	8A
Wire range		
Solid wire (AWG)		
Stranded wire (AWG/mm ²)		
Rated surge voltage (UL/IEC/Max.)	1.6 / 1.25 / 3 KV	
Torque (Lb-in)		
Screw		
Wire strip length		
Pole	Cat. No.	
02	ECH381R-02P	
:	:	
:	:	
24	ECH381R-24P	

TEL: +886-2-2908-0614

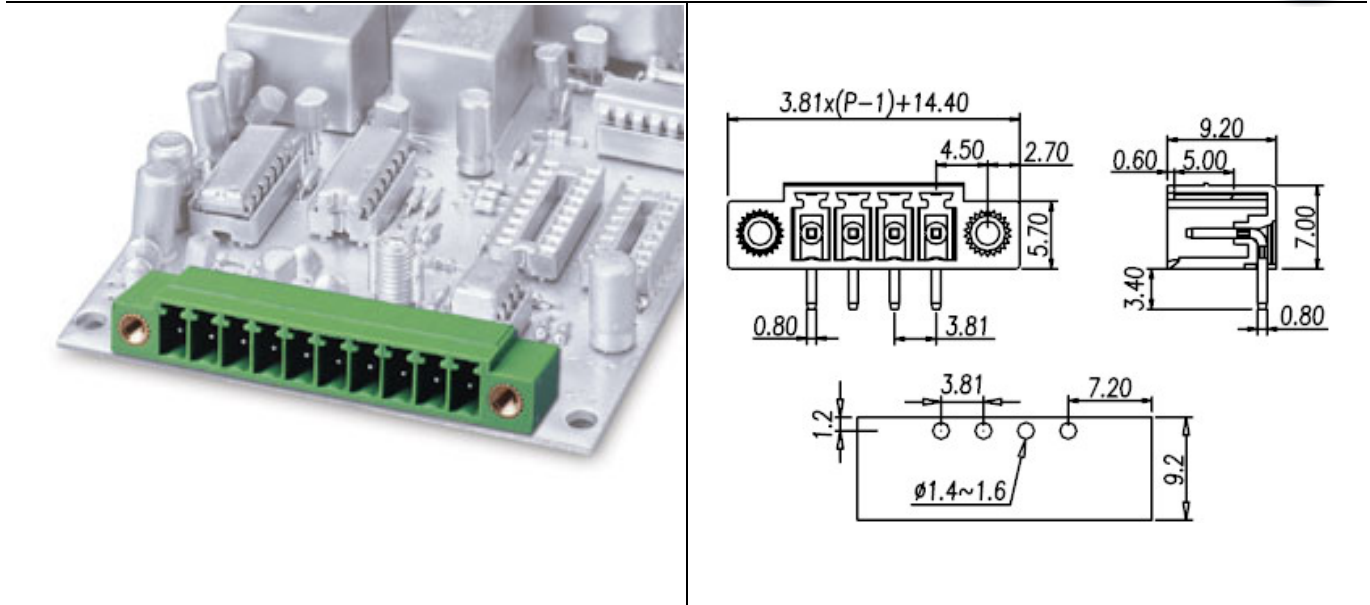
FAX: +886-2-2908-8549

E-mail: infor@dinkle.com.tw

Headers(Sockets) for pluggable terminal blocks / ECH & EHD series



ECH381RM



Pitch: 3.81mm

Approval	UL	
Technical Data	UL	IEC
Rated voltage	300V	130A
Rated current	8A	8A
Wire range		
Solid wire (AWG)		
Stranded wire (AWG/mm ²)		
Rated surge voltage (UL/IEC/Max.)	1.6 / 1.25 / 3 KV	
Torque (Lb-in)		
Screw		
Wire strip length		
Pole	Cat. No.	
02	ECH381RM-02P	
:	:	
:	:	
24	ECH381RM-24P	

TEL: +886-2-2908-0614

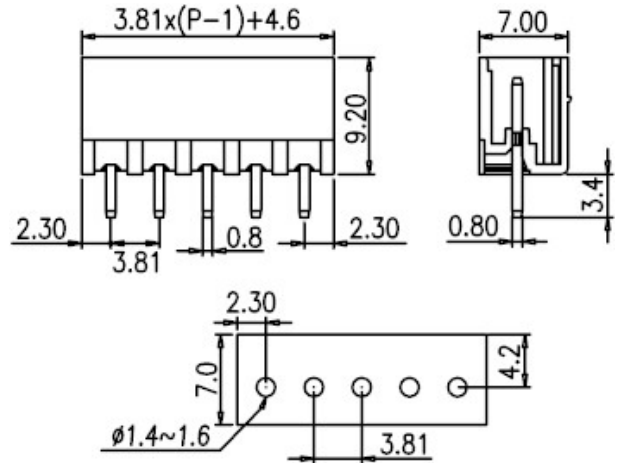
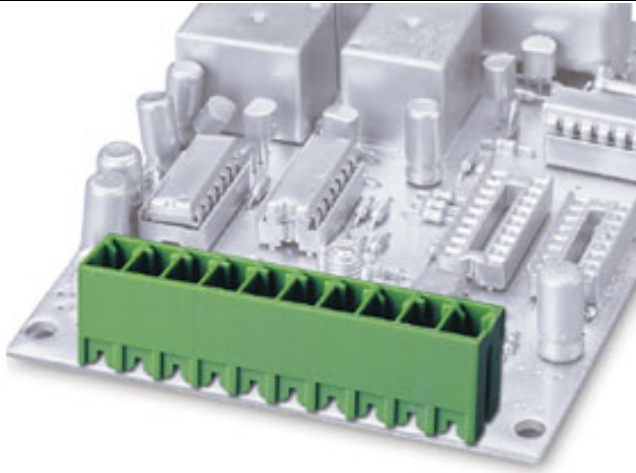
FAX: +886-2-2908-8549

E-mail: infor@dinkle.com.tw

Headers(Sockets) for pluggable terminal blocks / ECH & EHD series



ECH381V



Pitch: 3.81mm

Approval	UL	
Technical Data	UL	IEC
Rated voltage	300V	130A
Rated current	8A	8A
Wire range		
Solid wire (AWG)		
Stranded wire (AWG/mm ²)		
Rated surge voltage (UL/IEC/Max.)	1.6 / 1.25 / 3 KV	
Torque (Lb-in)		
Screw		
Wire strip length		
Pole	Cat. No.	
02	ECH381V-02P	
:	:	
:	:	
24	ECH381V-24P	

TEL: +886-2-2908-0614

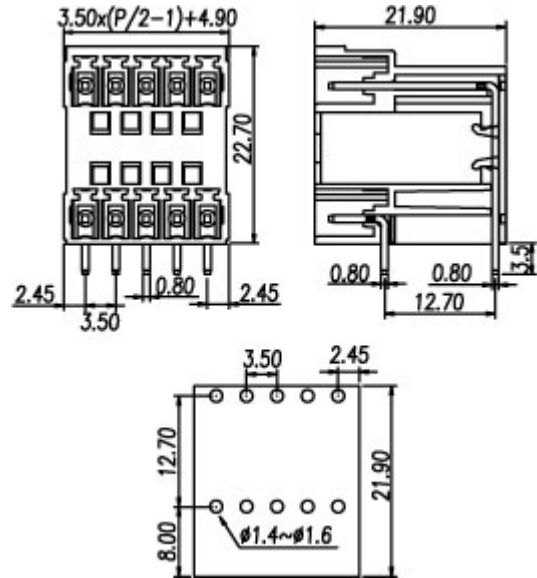
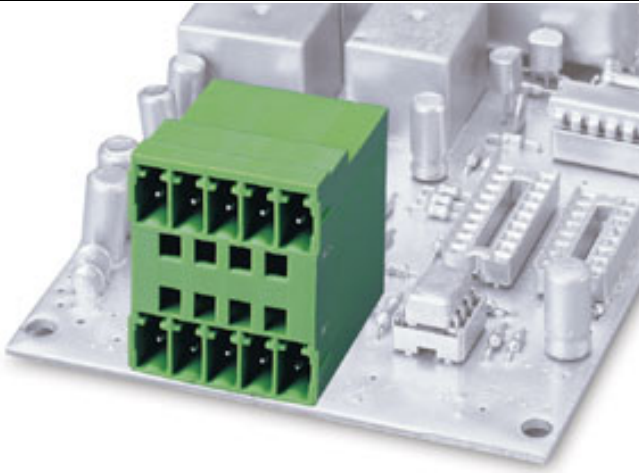
FAX: +886-2-2908-8549

E-mail: infor@dinkle.com.tw

Headers(Sockets) for pluggable terminal blocks / ECH & EHD series



ECHB350R



Pitch: 3.50mm

Approval	UL	
Technical Data	UL	IEC
Rated voltage	300V	130A
Rated current	8A	8A
Wire range		
Solid wire (AWG)		
Stranded wire (AWG/mm ²)		
Rated surge voltage (UL/IEC/Max.)	1.6 / 1.25 / 3 KV	
Torque (Lb-in)		
Screw		
Wire strip length		
Pole	Cat. No.	
2x2	ECHB350R-04P	
:	:	
:	:	
22x2	ECHB350R-44P	

TEL: +886-2-2908-0614

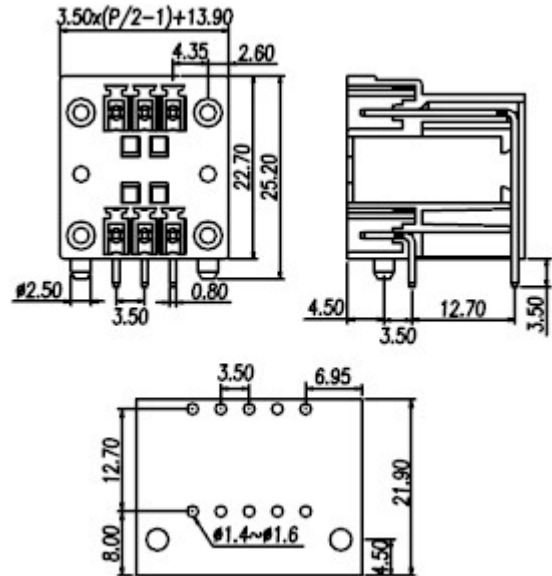
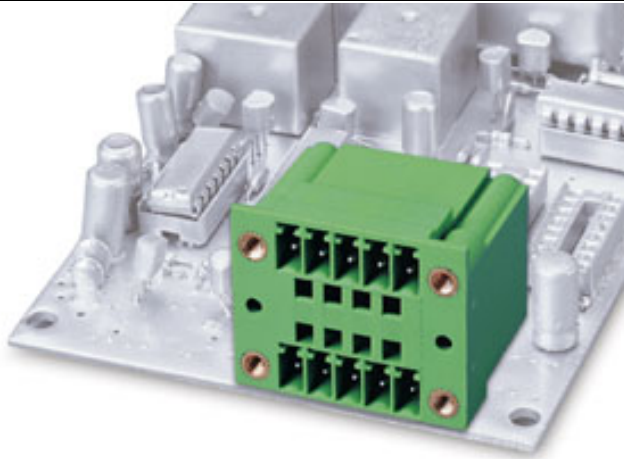
FAX: +886-2-2908-8549

E-mail: infor@dinkle.com.tw

Headers(Sockets) for pluggable terminal blocks / ECH & EHD series



ECHB350RM



Pitch: 3.50mm

Approval		
Technical Data	UL	IEC
Rated voltage	300V	130A
Rated current	8A	8A
Wire range		
Solid wire (AWG)		
Stranded wire (AWG/mm ²)		
Rated surge voltage (UL/IEC/Max.)	1.6 / 1.25 / 3 KV	
Torque (Lb-in)		
Screw		
Wire strip length		
Pole	Cat. No.	
2x2	ECHB350RM-04P	
:	:	
:	:	
18x2	ECHB350RM-36P	

TEL: +886-2-2908-0614

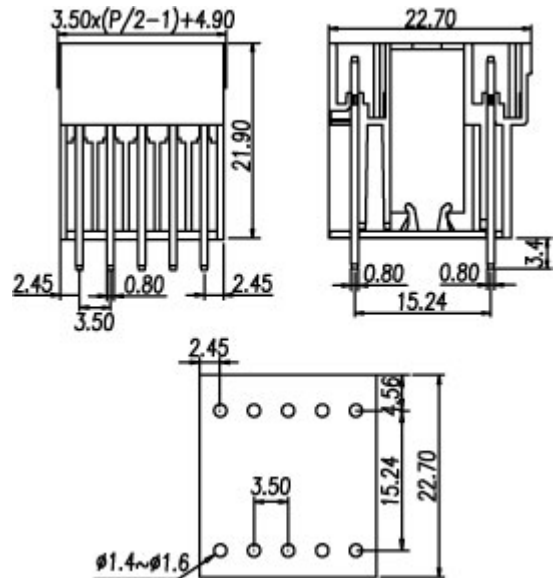
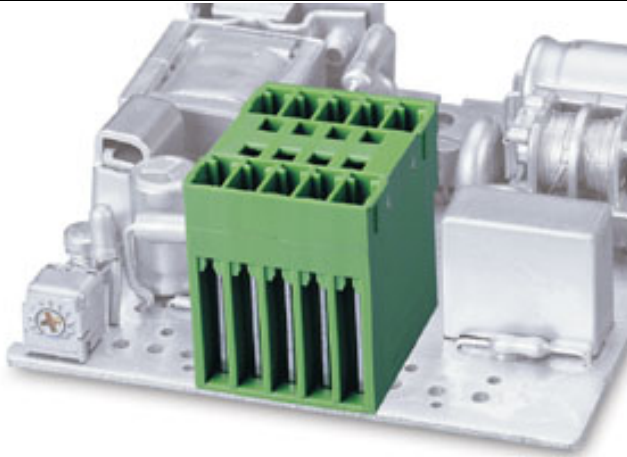
FAX: +886-2-2908-8549

E-mail: infor@dinkle.com.tw

Headers(Sockets) for pluggable terminal blocks / ECH & EHD series



ECHB350V



Pitch: 3.50mm

Approval	UL	
Technical Data	UL	IEC
Rated voltage	300V	130A
Rated current	8A	8A
Wire range		
Solid wire (AWG)		
Stranded wire (AWG/mm ²)		
Rated surge voltage (UL/IEC/Max.)	1.6 / 1.25 / 3 KV	
Torque (Lb-in)		
Screw		
Wire strip length		
Pole	Cat. No.	
2x2	ECHB350V-04P	
:	:	
:	:	
16x2	ECHB350V-32P	

TEL: +886-2-2908-0614

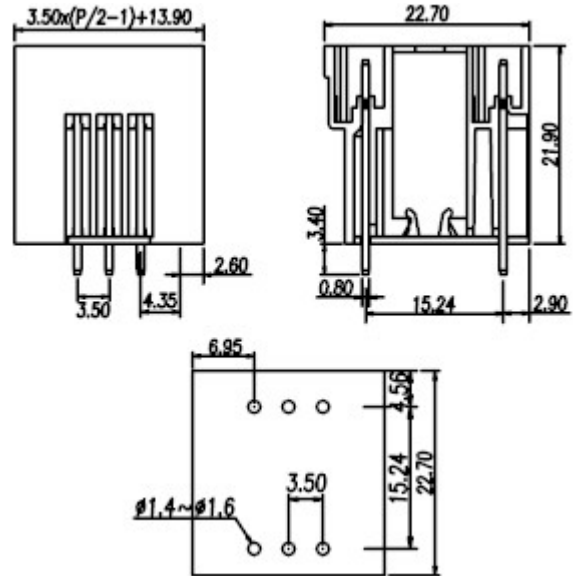
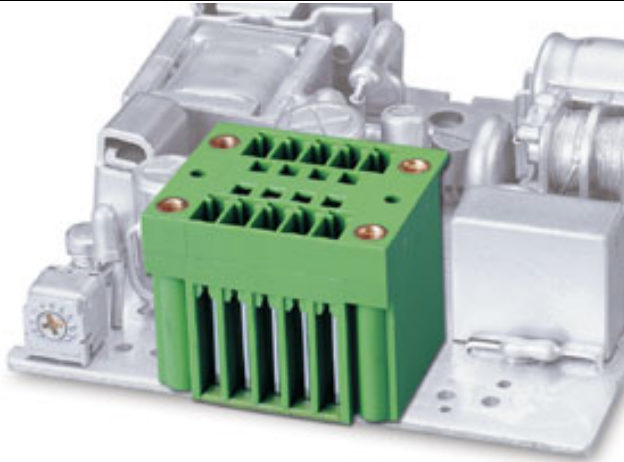
FAX: +886-2-2908-8549

E-mail: infor@dinkle.com.tw

Headers(Sockets) for pluggable terminal blocks / ECH & EHD series



ECHB350VM



Pitch: 3.50mm

Approval	UL	
Technical Data	UL	IEC
Rated voltage	300V	130A
Rated current	8A	8A
Wire range		
Solid wire (AWG)		
Stranded wire (AWG/mm ²)		
Rated surge voltage (UL/IEC/Max.)	1.6 / 1.25 / 3 KV	
Torque (Lb-in)		
Screw		
Wire strip length		
Pole	Cat. No.	
2x2	ECHB350VM-04P	
:	:	
:	:	
16x2	ECHB350VM-32P	

TEL: +886-2-2908-0614

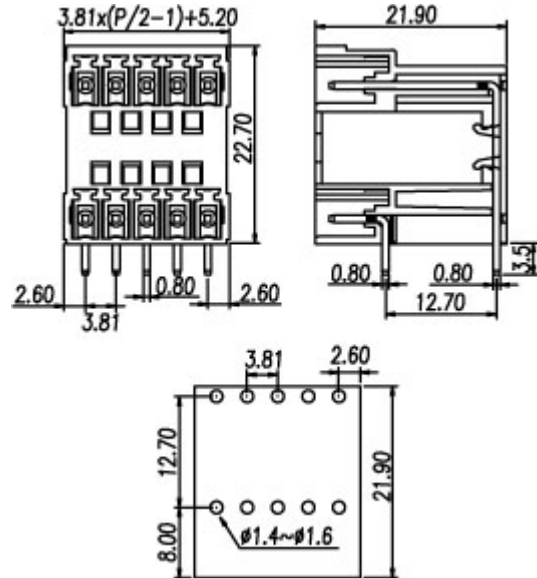
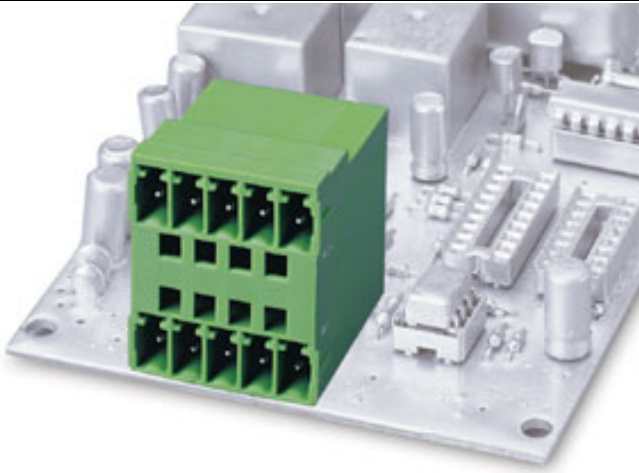
FAX: +886-2-2908-8549

E-mail: infor@dinkle.com.tw

Headers(Sockets) for pluggable terminal blocks / ECH & EHD series



ECHB381R



Pitch: 3.81mm

Approval		
Technical Data	UL	IEC
Rated voltage	300V	130A
Rated current	8A	8A
Wire range		
Solid wire (AWG)		
Stranded wire (AWG/mm ²)		
Rated surge voltage (UL/IEC/Max.)	1.6 / 1.25 / 3 KV	
Torque (Lb-in)		
Screw		
Wire strip length		
Pole	Cat. No.	
2x2	ECHB381R-04P	
:	:	
:	:	
18x2	ECHB381R-36P	

TEL: +886-2-2908-0614

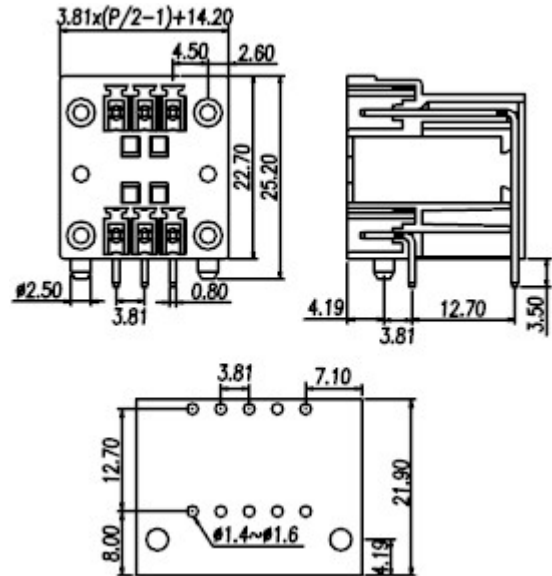
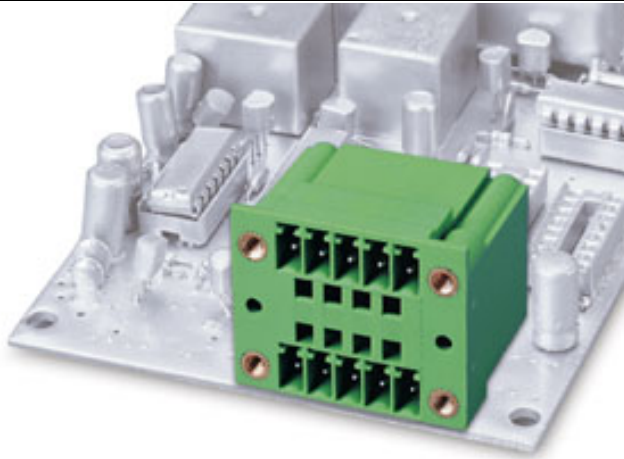
FAX: +886-2-2908-8549

E-mail: infor@dinkle.com.tw

Headers(Sockets) for pluggable terminal blocks / ECH & EHD series



ECHB381RM



Pitch: 3.81mm

Approval		
Technical Data	UL	IEC
Rated voltage	300V	130V
Rated current	8A	8A
Wire range		
Solid wire (AWG)		
Stranded wire (AWG/mm ²)		
Rated surge voltage (UL/IEC/Max.)	1.6 / 1.25 / 3 KV	
Torque (Lb-in)		
Screw		
Wire strip length		
Pole	Cat. No.	
2x2	ECHB381RM-04P	
:	:	
:	:	
16x2	ECHB381RM-32P	

TEL: +886-2-2908-0614

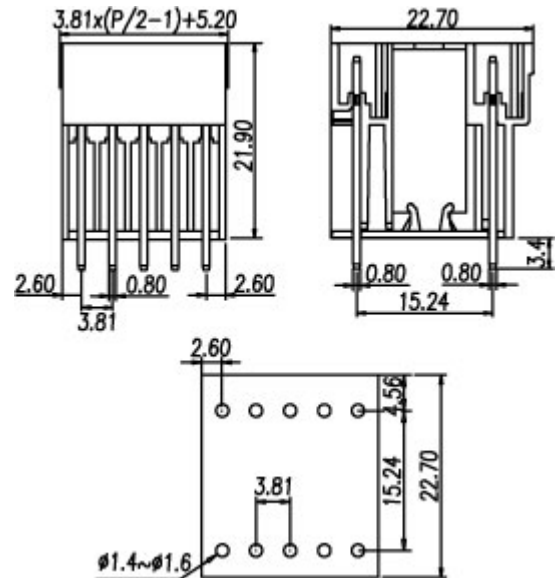
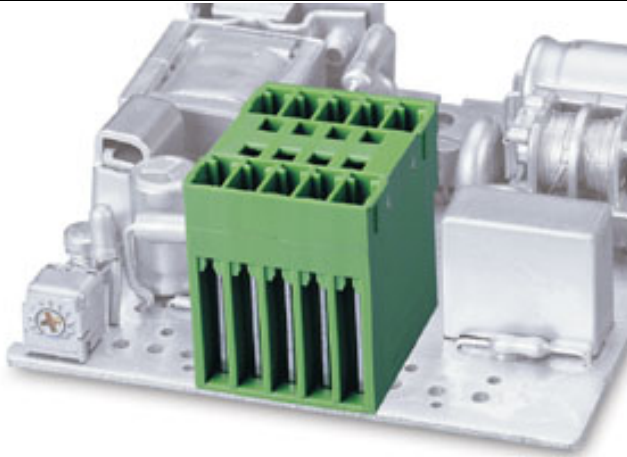
FAX: +886-2-2908-8549

E-mail: infor@dinkle.com.tw

Headers(Sockets) for pluggable terminal blocks / ECH & EHD series



ECHB381V



Pitch: 3.81mm

Approval		
Technical Data	UL	IEC
Rated voltage	300V	130A
Rated current	8A	8A
Wire range		
Solid wire (AWG)		
Stranded wire (AWG/mm ²)		
Rated surge voltage (UL/IEC/Max.)	1.6 / 1.25 / 3 KV	
Torque (Lb-in)		
Screw		
Wire strip length		
Pole	Cat. No.	
2x2	ECHB381V-04P	
:	:	
:	:	
18x2	ECHB381V-36P	

TEL: +886-2-2908-0614

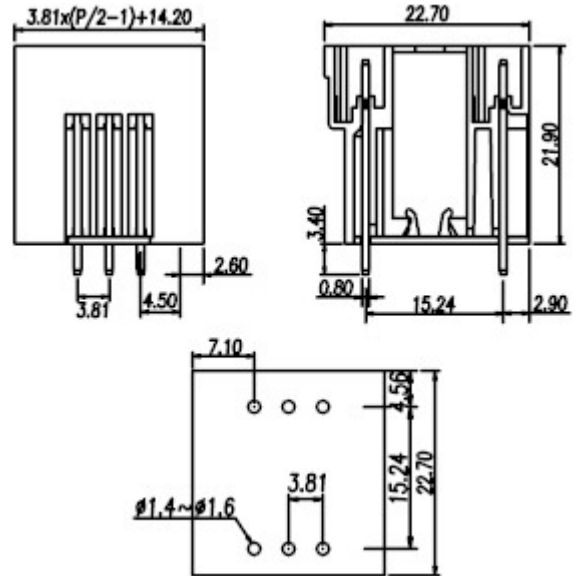
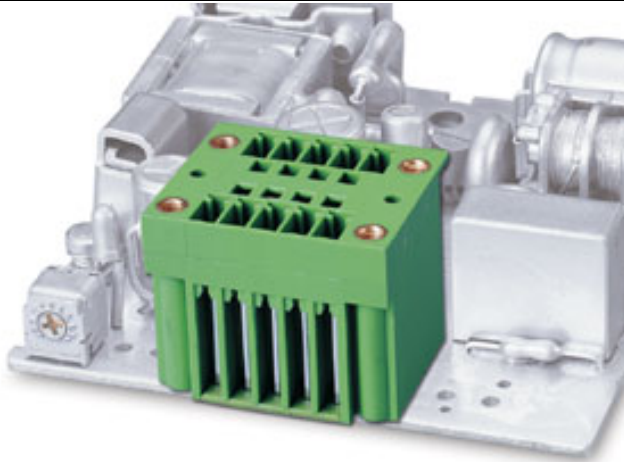
FAX: +886-2-2908-8549

E-mail: infor@dinkle.com.tw

Headers(Sockets) for pluggable terminal blocks / ECH & EHD series



ECHB381VM



Pitch: 3.81mm

Approval		
Technical Data	UL	IEC
Rated voltage	300V	130A
Rated current	8A	8A
Wire range		
Solid wire (AWG)		
Stranded wire (AWG/mm ²)		
Rated surge voltage (UL/IEC/Max.)	1.6 / 1.25 / 3 KV	
Torque (Lb-in)		
Screw		
Wire strip length		
Pole	Cat. No.	
2x2	ECHB381VM-04P	
:	:	
:	:	
16x2	ECHB381VM-32P	

TEL: +886-2-2908-0614

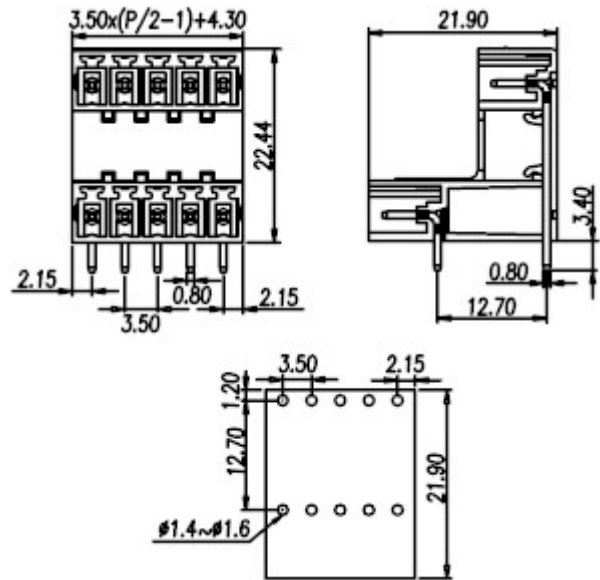
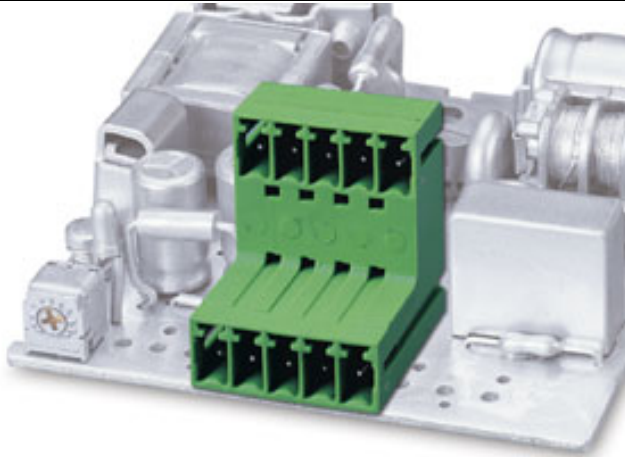
FAX: +886-2-2908-8549

E-mail: infor@dinkle.com.tw

Headers(Sockets) for pluggable terminal blocks / ECH & EHD series



EECH350R



Pitch: 3.50mm

Approval		
Technical Data	UL	IEC
Rated voltage	300V	130A
Rated current	8A	8A
Wire range		
Solid wire (AWG)		
Stranded wire (AWG/mm ²)		
Rated surge voltage (UL/IEC/Max.)	1.6 / 1.25 / 3 KV	
Torque (Lb-in)		
Screw		
Wire strip length		
Pole	Cat. No.	
2x2	EECH350R-04P	
:	:	
:	:	
16x2	EECH350R-32P	

TEL: +886-2-2908-0614

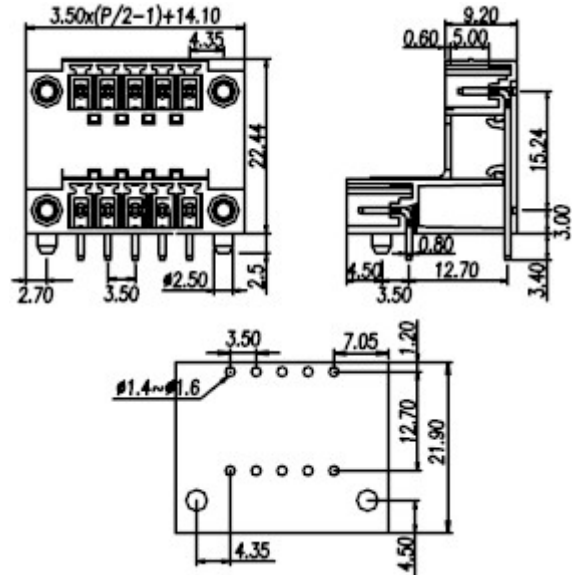
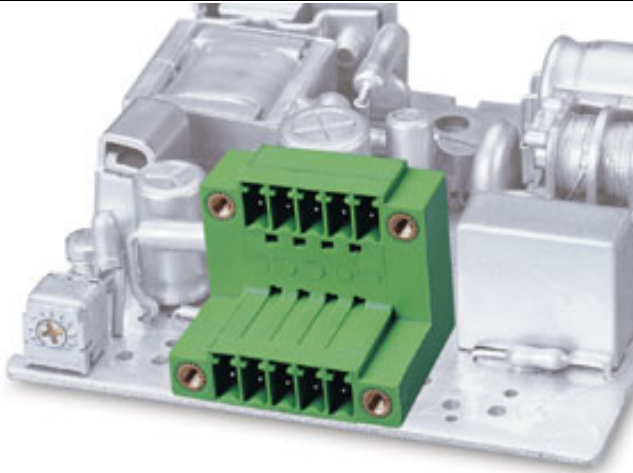
FAX: +886-2-2908-8549

E-mail: infor@dinkle.com.tw

Headers(Sockets) for pluggable terminal blocks / ECH & EHD series



EECH350RM



Pitch: 3.50mm

Approval		
Technical Data	UL	IEC
Rated voltage	300V	130A
Rated current	8A	8A
Wire range		
Solid wire (AWG)		
Stranded wire (AWG/mm ²)		
Rated surge voltage (UL/IEC/Max.)	1.6 / 1.25 / 3 KV	
Torque (Lb-in)		
Screw		
Wire strip length		
Pole	Cat. No.	
2x2	EECH350RM-04P	
:	:	
:	:	
16x2	EECH350RM-32P	

TEL: +886-2-2908-0614

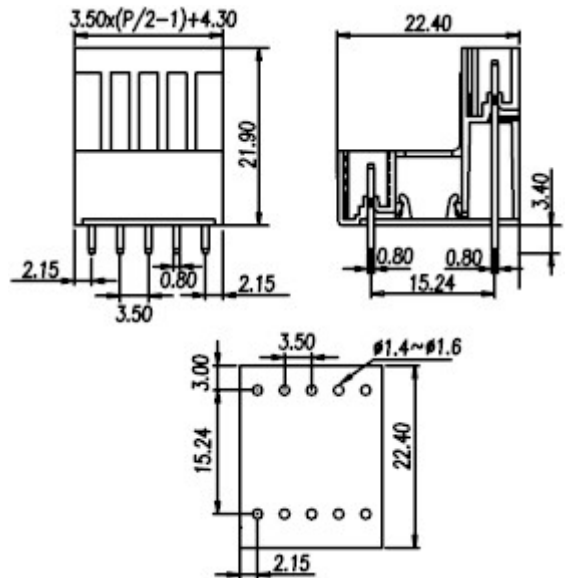
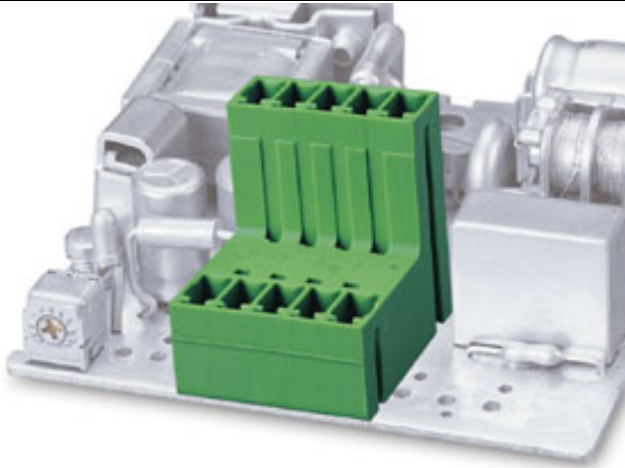
FAX: +886-2-2908-8549

E-mail: infor@dinkle.com.tw

Headers(Sockets) for pluggable terminal blocks / ECH & EHD series



EECH350V



Pitch: 3.50mm

Approval		
Technical Data	UL	IEC
Rated voltage	300V	130A
Rated current	8A	8A
Wire range		
Solid wire (AWG)		
Stranded wire (AWG/mm ²)		
Rated surge voltage (UL/IEC/Max.)	1.6 / 1.25 / 3 KV	
Torque (Lb-in)		
Screw		
Wire strip length		
Pole	Cat. No.	
2x2	EECH350V-04P	
:	:	
:	:	
16x2	EECH350V-32P	

TEL: +886-2-2908-0614

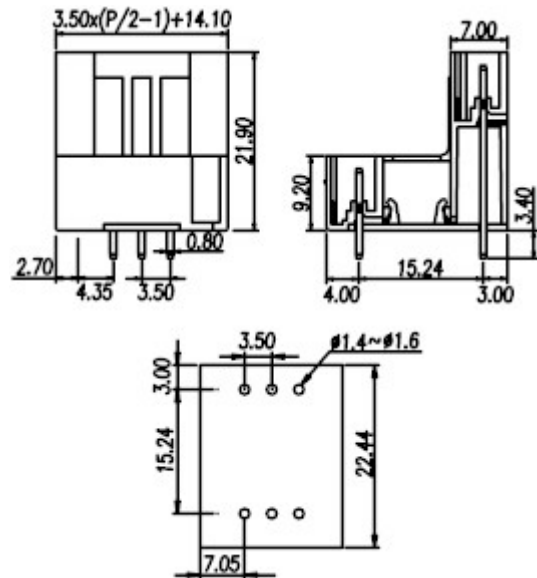
FAX: +886-2-2908-8549

E-mail: infor@dinkle.com.tw

Headers(Sockets) for pluggable terminal blocks / ECH & EHD series



EECH350VM



Pitch: 3.50mm

Approval		
Technical Data	UL	IEC
Rated voltage	300V	130A
Rated current	8A	8A
Wire range		
Solid wire (AWG)		
Stranded wire (AWG/mm ²)		
Rated surge voltage (UL/IEC/Max.)	1.6 / 1.25 / 3 KV	
Torque (Lb-in)		
Screw		
Wire strip length		
Pole	Cat. No.	
2x2	EECH350VM-04P	
:	:	
:	:	
16x2	EECH350VM-32P	

TEL: +886-2-2908-0614

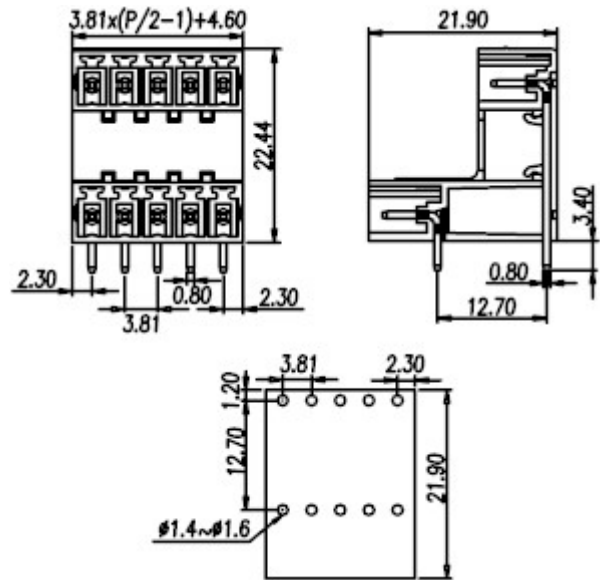
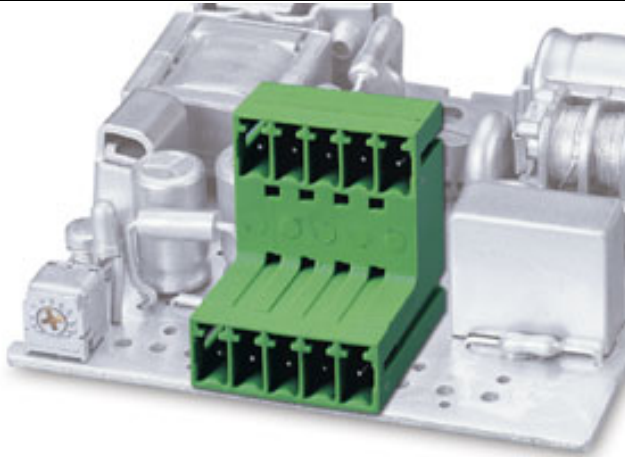
FAX: +886-2-2908-8549

E-mail: infor@dinkle.com.tw

Headers(Sockets) for pluggable terminal blocks / ECH & EHD series



EECH381R



Pitch: 3.81mm

Approval		
Technical Data	UL	IEC
Rated voltage	300V	130A
Rated current	8A	8A
Wire range		
Solid wire (AWG)		
Stranded wire (AWG/mm ²)		
Rated surge voltage (UL/IEC/Max.)	1.6 / 1.25 / 3 KV	
Torque (Lb-in)		
Screw		
Wire strip length		
Pole	Cat. No.	
2x2	EECH381R-04P	
:	:	
:	:	
18x2	EECH381R-36P	

TEL: +886-2-2908-0614

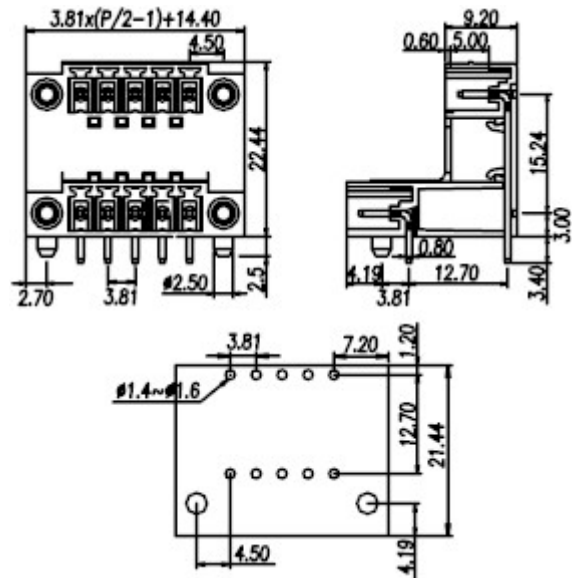
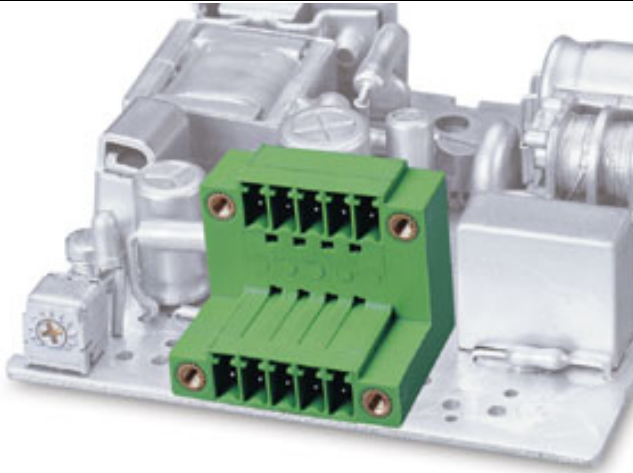
FAX: +886-2-2908-8549

E-mail: infor@dinkle.com.tw

Headers(Sockets) for pluggable terminal blocks / ECH & EHD series



EECH381RM



Pitch: 3.81 mm

Approval		
Technical Data	UL	IEC
Rated voltage	300V	130A
Rated current	8A	8A
Wire range		
Solid wire (AWG)		
Stranded wire (AWG/mm ²)		
Rated surge voltage (UL/IEC/Max.)	1.6 / 1.25 / 3 KV	
Torque (Lb-in)		
Screw		
Wire strip length		
Pole	Cat. No.	
2x2	EECH381R-04P	
:	:	
:	:	
16x2	EECH381RM-32P	

TEL: +886-2-2908-0614

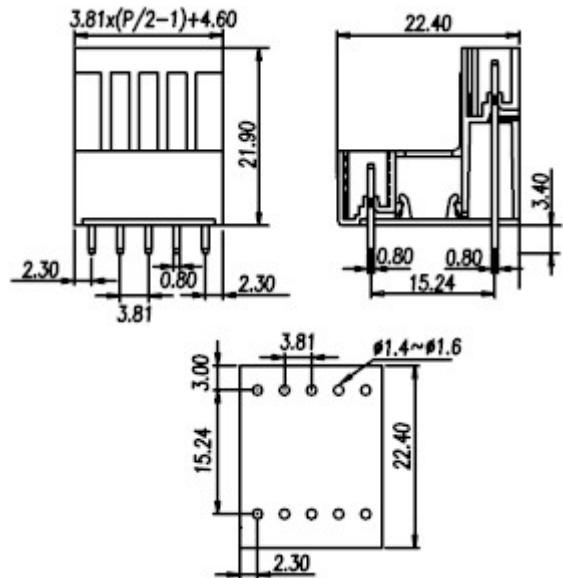
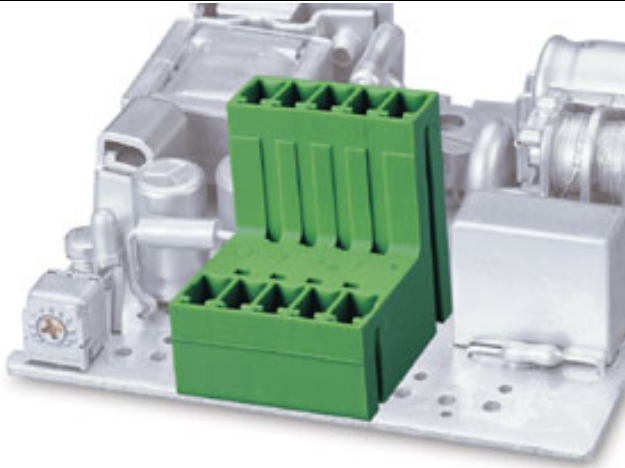
FAX: +886-2-2908-8549

E-mail: infor@dinkle.com.tw

Headers(Sockets) for pluggable terminal blocks / ECH & EHD series



EECH381V



Pitch: 3.81mm

Approval		
Technical Data	UL	IEC
Rated voltage	300V	130A
Rated current	8A	8A
Wire range		
Solid wire (AWG)		
Stranded wire (AWG/mm ²)		
Rated surge voltage (UL/IEC/Max.)	1.6 / 1.25 / 3 KV	
Torque (Lb-in)		
Screw		
Wire strip length		
Pole	Cat. No.	
2x2	EECH381V-04P	
:	:	
:	:	
18x2	EECH381V-36P	

TEL: +886-2-2908-0614

FAX: +886-2-2908-8549

E-mail: infor@dinkle.com.tw