

Data sheet

Commercial Art.No.: 96.233.4034.1

Cable assembly RST20i3K1-S 25 40SW

RST20i3 connection cable male - free end, 3 pole, assembled with shrinkage tube, application 250V with PE, 20A, cable type H07RN-F, length 4.0m, cross section 2.5mm², coding color black



| | |
|--------------------|---------------|
| Commercial Art.No. | 96.233.4034.1 |
| EAN | 4015573760981 |
| Order Unit | 1 |

Certificates / Approvals



Technical data

General

| | |
|--|----------------------------------|
| Rated current | 20 A |
| Rated voltage | 250 V |
| Rated impulse voltage | 4 kV |
| Pollution degree | 3 |
| Lockable | self-locking (unlocking by tool) |
| Color of coding/ contact carrier | black |
| Marking of poles | L, N, PE |
| Color of housing inclusive strain relief | black |

Model

| | |
|---------------------------------|-------------------------------------|
| type of construction | Shrinkage tube |
| Connection type | Crimp |
| Nominal cross section conductor | 2.5 mm ² |
| Degree of protection (IP) | IP66/68 (3m;2h) |
| Wire strip length | 9 mm |
| sheath strip length | 35 mm |
| Preparation of conductor ends | ultrasonically compressed wire ends |
| Cable type | H07RN-F |
| Cable color | black |
| Cable diameter min. | 11.3 mm |
| Cable diameter max. | 11.9 mm |
| Version of cable | male - free end |
| Type of cord set | connection cable |

| | |
|---------------------|----------|
| Version cable end 1 | free end |
| Version cable end 2 | male |
| Shielded | No |

Material

| | |
|--|---------------|
| Surface finish | Silver-plated |
| halogen free | No |
| Continuous temperature of cable | 60 °C |
| Insulation components continuous temperature | 100 °C |
| Fire load | 0 kWh |

Dimensions

| | |
|--------------|-----|
| Total length | 4 m |
|--------------|-----|

Classification

| | |
|------------|----------|
| ECLASS 11 | |
| ECLASS 8.1 | 27440604 |
| ETIM 7.0 | EC002587 |
| ETIM 6.0 | EC002587 |
| ETIM 5.0 | EC002587 |
| ETIM 4.0 | EC002587 |

Note

| | |
|------|--|
| Note | The total length may vary up to + / - 3 %. |
|------|--|

Product compliance

| | |
|------------------------------|--------------------|
| ROHS conformity status | Compliant/Exempted |
| ROHS exceptions | III-6(c) |
| REACH-SVHC conformity status | Duty-To-Declare |
| REACH-SVHC substances | Lead |
| REACH-SVHC CAS numbers | 7439-92-1 |

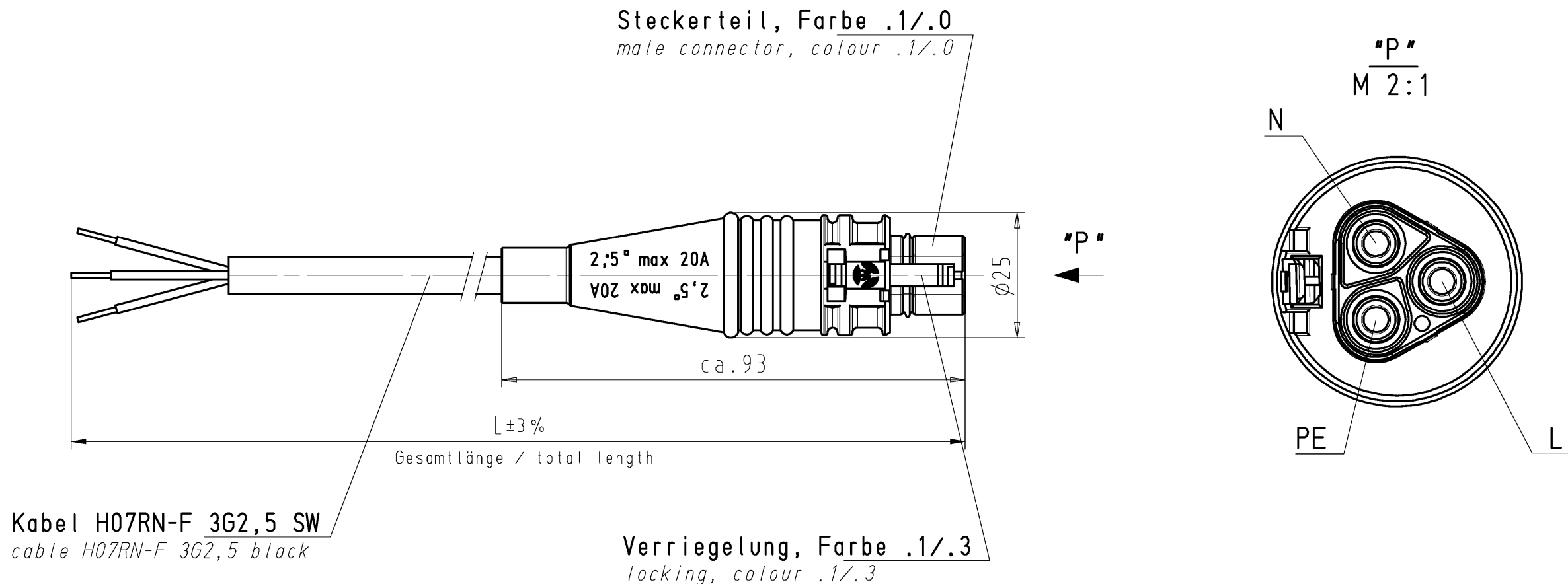
These dimensions will be especially checked at delivery
Only inspection dimensions
With /E marked dimensions are only valid for internal use

Diese Maße werden bei Abnahme besonders geprüft
Ausschließlich Prüfmaße
Mit /E gekennzeichnete Maße sind nur für interne Zwecke gültig

○

E

F



Kabel H07RN-F 3G2,5 SW
cable H07RN-F 3G2,5 black

Steckerteil, Farbe .1/.0
male connector, colour .1/.0

Verriegelung, Farbe .1/.3
locking, colour .1/.3

Weitere Daten siehe Katalog
further data see catalog

| Farbe/colour | |
|-------------------------|----|
| schwarz/black | .1 |
| lichtgrau/light grey | .0 |
| betongrau/concrete grey | .3 |

| Teile - Nr. part - no. | L | Beispiel (Farbe: schwarz, lichtgrau) exampel (colour: black, light grey) | Typ type |
|---------------------------|--------------------|---|----------------------|
| 96.233.XX34.1 | XX in dm-Schritten | 96.233.1034.1 = 10dm/L= 1000mm | RST2013K1-S 25 10SW |
| 96.233.XX34.0 | XX in dm-steps | 96.233.1034.0 | RST2013K1-S 25 10GL |
| U6.233.XX34.1 | XX in m-Schritten | U6.233.1234.1 = 12 m/L=12000mm | RST2013K1-S 25 X12SW |
| U6.233.XX34.0 | XX in m-steps | U6.233.1234.0 | RST2013K1-S 25 X12GL |

Tolerierung Size ISO 14405/Tolerance system Size ISO 14405.
(This ISO-standard describes the envelope principle. According to the envelope principle the deviations of form and parallelism are limited by the size tolerances).

ja/yes Stoffverbots- und Deklarationsliste nach WN 5020.010 ist einzuhalten.
Conformity with Wieland document WN 5020.010 e (list of prohibited / declarable hazardous substances) to be declared!

Freitoleranz nach General tolerance CAD - Zeichnung, keine manuellen Änderungen CAD - drawing, no manual modifications allowed 1.Verwendung: First Use: Blatt: 1 von 1 Sheet: of 1

| | | | | | |
|-------------------------|-------------------------|----------|---------------------------------|---------------------------|-------|
| Werkstoff/Material | 2014 Tag/Date | Name | T | Zeichnung Nr./Drawing No. | Index |
| Maßstab/Scale | gezeichnet/drawn 21.10. | Treschar | | | |
| Vol. mm³ Ofl./Surf. mm² | geprüft/checked | | Maße in mm/Dimensions are in mm | | |
| | Normgepr. Stand. check | | Ersatz für/Replacement for: - | | |

| | | | |
|----------------------------------|--------------------------|------|---|
| Index Datum / Blatt Date / Sheet | www.wieland-electric.com | Type | Benennung/Title |
| Änderung/Revision | | | KONFEKT_LEITUNG Stecker-fr. Ende, Crimpausführung K1 250V, 2,5qmm pre-assembled cable, male-free end, crimpversion |

Weitergabe sowie Vervielfältigung dieses Dokuments, Verwertung und Mitteilung seines Inhalts sind verboten, soweit nicht ausdrücklich gestattet.
The reproduction, distribution and utilization of this document as well as the communication of its contents to others without express authorization is prohibited.