

| ABBREVIATION | DESCRIPTION | COLOR | MATERIAL |
|--------------|--------------------------|------------|--------------------------------|
| A-BLACK | HOUSING, KEYING OPTION A | BLACK | SPS/NYLON GF20 |
| A-YELLOW | HOUSING, KEYING OPTION A | YELLOW | SPS/NYLON GF20 |
| B-LIGHT GRAY | HOUSING, KEYING OPTION B | LIGHT GRAY | SPS/NYLON GF20 |
| C-BROWN | HOUSING, KEYING OPTION C | BROWN | SPS/NYLON GF20 |
| C-DARK GRAY | HOUSING, KEYING OPTION C | DARK GRAY | SPS/NYLON GF20 |
| D-GREEN | HOUSING, KEYING OPTION D | GREEN | SPS/NYLON GF20 |
| D-STONE GRAY | HOUSING, KEYING OPTION D | STONE GRAY | SPS/NYLON GF20 |
| GC | GROMMET CAP (STANDARD) | BLACK | SPS/NYLON GF20 |
| GCL | GROMMET CAP (LENGTHENED) | BLACK | SPS/NYLON GF20 |
| M | MAT SEAL | ROYAL BLUE | INHERENTLY LUBRICATED SILICONE |
| PLR | PLR | NATURAL | SPS/NYLON GF20 |

FOR ADDITIONAL INFORMATION SEE SD-33482-0001

| ASSEMBLY DESCRIPTION | ASSEMBLY PART NUMBER | COMPONENT | | | | BLOCKED TERMINALS | | | STATUS | COMMENT | OPTIONAL ATTACHMENTS SOLD SEPARATELY | |
|---------------------------|----------------------|--|-------------|-----|----------|--|---|---|-----------------|---------------|--------------------------------------|------------------------|
| | | THE PRESENCE OF AN ABBREVIATION INDICATES THE PRESENCE OF THAT COMPONENT | | | | CAVITY WITH A NUMBER INDICATES BLOCKED TERMINAL POSITION CAVITY WITHOUT A NUMBER INDICATES OPEN TERMINAL POSITION | | | | | BACKSHELL WITH RIBS | BACKSHELL WITHOUT RIBS |
| | | HOUSING KEY/COLOR | GROMMET CAP | PLR | MAT SEAL | | | | | | | |
| MX150 ASSY BLD 2X3 BK A/6 | 334823601 | A-BLACK | GC | PLR | M | - | - | - | SALEABLE | | 34950-0610 | 34950-0620 |
| MX150 ASSY BLD 2X3 LG B/6 | 334823602 | B-LIGHT GRAY | GC | PLR | M | - | - | - | SALEABLE | | 34950-0610 | 34950-0620 |
| MX150 ASSY BLD 2X3 BR C/6 | 334823603 | C-BROWN | GC | PLR | M | - | - | - | NOT RECOMMENDED | SEE 334823628 | 34950-0610 | 34950-0620 |
| MX150 ASSY BLD 2X3 GR D/6 | 334823604 | D-GREEN | GC | PLR | M | - | - | - | NOT RECOMMENDED | SEE 334823629 | 34950-0610 | 34950-0620 |
| MX150 ASSY BLD 2X3 LG B/5 | 334823607 | B-LIGHT GRAY | GC | PLR | M | - | - | 3 | SALEABLE | | 34950-0610 | 34950-0620 |
| MX150 ASSY BLD 2X3 BR C/5 | 334823608 | C-BROWN | GC | PLR | M | - | - | 3 | NOT RECOMMENDED | SEE 334823638 | 34950-0610 | 34950-0620 |
| MX150 ASSY BLD 2X3 GR D/5 | 334823609 | D-GREEN | GC | PLR | M | - | - | 3 | NOT RECOMMENDED | SEE 334823641 | 34950-0610 | 34950-0620 |
| MX150 ASSY BLD 2X3 BK A/4 | 334823611 | A-BLACK | GC | PLR | M | - | - | 3 | SALEABLE | | 34950-0610 | 34950-0620 |
| MX150 ASSY BLD 2X3 LG B/4 | 334823612 | B-LIGHT GRAY | GC | PLR | M | 4 | - | - | SALEABLE | | 34950-0610 | 34950-0620 |
| MX150 ASSY BLD 2X3 BR C/4 | 334823613 | C-BROWN | GC | PLR | M | - | - | 3 | NOT RECOMMENDED | SEE 334823642 | 34950-0610 | 34950-0620 |
| MX150 ASSY BLD 2X3 GR D/4 | 334823614 | D-GREEN | GC | PLR | M | - | - | 3 | NOT RECOMMENDED | SEE 334823643 | 34950-0610 | 34950-0620 |
| MX150 ASSY BLD 2X3 BK A/5 | 334823616 | A-BLACK | GC | PLR | M | - | - | 3 | SALEABLE | | 34950-0610 | 34950-0620 |
| MX150 ASSY BLD 2X3 BK A/5 | 334823617 | A-BLACK | GC | PLR | M | - | 2 | - | SALEABLE | | 34950-0610 | 34950-0620 |
| MX150 ASSY BLD 2X3 BK A/4 | 334823618 | A-BLACK | GC | PLR | M | - | - | - | SALEABLE | | 34950-0610 | 34950-0620 |
| MX150 ASSY BLD 2X3 BK A/2 | 334823619 | A-BLACK | GC | PLR | M | - | 2 | 3 | SALEABLE | | 34950-0610 | 34950-0620 |
| MX150 ASSY BLD 2X3 BK A/0 | 334823620 | A-BLACK | GC | PLR | M | 1 | 2 | 3 | SALEABLE | | 34950-0610 | 34950-0620 |
| MX150 ASSY BLD 2X3 BK A/3 | 334823621 | A-BLACK | GC | PLR | M | 1 | - | - | SALEABLE | | 34950-0610 | 34950-0620 |

| ASSEMBLY DESCRIPTION | ASSEMBLY PART NUMBER | COMPONENT | | | | BLOCKED TERMINALS | | | STATUS | COMMENT | OPTIONAL ATTACHMENTS SOLD SEPARATELY | |
|------------------------------|----------------------|--|-------------|-----|----------|--|---|---|----------|---------|--------------------------------------|------------------------|
| | | THE PRESENCE OF AN ABBREVIATION INDICATES THE PRESENCE OF THAT COMPONENT | | | | CAVITY WITH A NUMBER INDICATES BLOCKED TERMINAL POSITION CAVITY WITHOUT A NUMBER INDICATES OPEN TERMINAL POSITION | | | | | BACKSHELL WITH RIBS | BACKSHELL WITHOUT RIBS |
| | | HOUSING KEY/COLOR | GROMMET CAP | PLR | MAT SEAL | | | | | | | |
| MX150 ASSY BLD 2X3 BK A/3 | 334823622 | A-BLACK | GC | PLR | M | - | - | - | SALEABLE | | 34950-0610 | 34950-0620 |
| MX150 ASSY BLD 2X3 BK A/5 | 334823623 | A-BLACK | GC | PLR | M | 4 | 5 | 6 | SALEABLE | | 34950-0610 | 34950-0620 |
| MX150 ASSY BLD 2X3 BK A/5 | 334823624 | A-BLACK | GC | PLR | M | - | 5 | - | SALEABLE | | 34950-0610 | 34950-0620 |
| MX150 ASSY BLD 2X3 BK A/5 | 334823624 | A-BLACK | GC | PLR | M | - | - | 6 | SALEABLE | | 34950-0610 | 34950-0620 |
| MX150 ASSY BLD 2X3 LG B/4 | 334823625 | B-LIGHT GRAY | GC | PLR | M | 1 | - | - | SALEABLE | | 34950-0610 | 34950-0620 |
| MX150 ASSY BLD 2X3 BK A/2 | 334823626 | A-BLACK | GC | PLR | M | - | 5 | - | SALEABLE | | 34950-0610 | 34950-0620 |
| MX150 ASSY BLD 2X3 BK A/2 | 334823626 | A-BLACK | GC | PLR | M | 1 | 2 | 3 | SALEABLE | | 34950-0610 | 34950-0620 |
| MX150 ASSY BLD 2X3 BK A/2 | 334823627 | A-BLACK | GC | PLR | M | 4 | - | - | SALEABLE | | 34950-0610 | 34950-0620 |
| MX150 ASSY BLD 2X3 BK A/2 | 334823627 | A-BLACK | GC | PLR | M | - | 2 | 3 | SALEABLE | | 34950-0610 | 34950-0620 |
| MX150 ASSY BLD 2X3 DG C/6 | 334823628 | C-DARK GRAY | GC | PLR | M | - | 5 | 6 | SALEABLE | | 34950-0610 | 34950-0620 |
| MX150 ASSY BLD 2X3 DG C/6 | 334823628 | C-DARK GRAY | GC | PLR | M | - | - | - | SALEABLE | | 34950-0610 | 34950-0620 |
| MX150 ASSY BLD 2X3 SG D/6 | 334823629 | D-STONE GRAY | GC | PLR | M | - | - | - | SALEABLE | | 34950-0610 | 34950-0620 |
| MX150 ASSY BLD 2X3 SG D/6 | 334823629 | D-STONE GRAY | GC | PLR | M | - | - | - | SALEABLE | | 34950-0610 | 34950-0620 |
| MX150 ASSY BLD 2X3 BK A/4 | 334823630 | A-BLACK | GC | PLR | M | - | - | 3 | SALEABLE | | 34950-0610 | 34950-0620 |
| MX150 ASSY BLD 2X3 BK A/4 | 334823630 | A-BLACK | GC | PLR | M | - | - | 6 | SALEABLE | | 34950-0610 | 34950-0620 |
| MX150 ASSY BLD 2X3 XC BK A/6 | 334823631 | A-BLACK | GCL | PLR | M | - | - | - | SALEABLE | | 34950-0610 | 34950-0620 |
| MX150 ASSY BLD 2X3 XC BK A/6 | 334823631 | A-BLACK | GCL | PLR | M | - | - | - | SALEABLE | | 34950-0610 | 34950-0620 |
| MX150 ASSY BLD 2X3 XC LG B/6 | 334823632 | B-LIGHT GRAY | GCL | PLR | M | - | - | - | SALEABLE | | 34950-0610 | 34950-0620 |
| MX150 ASSY BLD 2X3 XC LG B/6 | 334823632 | B-LIGHT GRAY | GCL | PLR | M | - | - | - | SALEABLE | | 34950-0610 | 34950-0620 |
| MX150 ASSY BLD 2X3 XC DG C/6 | 334823633 | C-DARK GRAY | GCL | PLR | M | - | - | - | SALEABLE | | 34950-0610 | 34950-0620 |
| MX150 ASSY BLD 2X3 XC DG C/6 | 334823633 | C-DARK GRAY | GCL | PLR | M | - | - | - | SALEABLE | | 34950-0610 | 34950-0620 |
| MX150 ASSY BLD 2X3 XC SG D/6 | 334823634 | D-STONE GRAY | GCL | PLR | M | - | - | - | SALEABLE | | 34950-0610 | 34950-0620 |
| MX150 ASSY BLD 2X3 XC SG D/6 | 334823634 | D-STONE GRAY | GCL | PLR | M | - | - | - | SALEABLE | | 34950-0610 | 34950-0620 |
| MX150 ASSY BLD 2X3 XC DG C/5 | 334823635 | C-DARK GRAY | GCL | PLR | M | - | - | 3 | SALEABLE | | 34950-0610 | 34950-0620 |
| MX150 ASSY BLD 2X3 XC DG C/5 | 334823635 | C-DARK GRAY | GCL | PLR | M | - | - | - | SALEABLE | | 34950-0610 | 34950-0620 |
| MX150 ASSY BLD 2X3 XC BK A/5 | 334823636 | A-BLACK | GCL | PLR | M | - | - | 3 | SALEABLE | | 34950-0610 | 34950-0620 |
| MX150 ASSY BLD 2X3 XC BK A/5 | 334823636 | A-BLACK | GCL | PLR | M | - | - | - | SALEABLE | | 34950-0610 | 34950-0620 |
| MX150 ASSY BLD 2X3 BK A/4 | 334823637 | A-BLACK | GC | PLR | M | - | 2 | - | SALEABLE | | 34950-0610 | 34950-0620 |
| MX150 ASSY BLD 2X3 BK A/4 | 334823637 | A-BLACK | GC | PLR | M | - | - | 6 | SALEABLE | | 34950-0610 | 34950-0620 |
| MX150 ASSY BLD 2X3 DG C/5 | 334823638 | C-DARK GRAY | GC | PLR | M | - | - | 3 | SALEABLE | | 34950-0610 | 34950-0620 |
| MX150 ASSY BLD 2X3 DG C/5 | 334823638 | C-DARK GRAY | GC | PLR | M | - | - | - | SALEABLE | | 34950-0610 | 34950-0620 |
| MX150 ASSY BLD 2X3 XC BK A/0 | 334823639 | A-BLACK | GCL | PLR | M | 1 | 2 | 3 | SALEABLE | | 34950-0610 | 34950-0620 |
| MX150 ASSY BLD 2X3 XC BK A/0 | 334823639 | A-BLACK | GCL | PLR | M | 4 | 5 | 6 | SALEABLE | | 34950-0610 | 34950-0620 |
| MX150 ASSY BLD 2X3 BK A/5 | 334823640 | A-BLACK | GC | PLR | M | - | - | - | SALEABLE | | 34950-0610 | 34950-0620 |
| MX150 ASSY BLD 2X3 BK A/5 | 334823640 | A-BLACK | GC | PLR | M | 4 | - | - | SALEABLE | | 34950-0610 | 34950-0620 |
| MX150 ASSY BLD 2X3 SG D/5 | 334823641 | D-STONE GRAY | GC | PLR | M | - | - | 3 | SALEABLE | | 34950-0610 | 34950-0620 |
| MX150 ASSY BLD 2X3 SG D/5 | 334823641 | D-STONE GRAY | GC | PLR | M | - | - | - | SALEABLE | | 34950-0610 | 34950-0620 |
| MX150 ASSY BLD 2X3 DG C/4 | 334823642 | C-DARK GRAY | GC | PLR | M | - | - | 3 | SALEABLE | | 34950-0610 | 34950-0620 |
| MX150 ASSY BLD 2X3 DG C/4 | 334823642 | C-DARK GRAY | GC | PLR | M | 4 | - | - | SALEABLE | | 34950-0610 | 34950-0620 |
| MX150 ASSY BLD 2X3 SG D/4 | 334823643 | D-STONE GRAY | GC | PLR | M | - | - | 3 | SALEABLE | | 34950-0610 | 34950-0620 |
| MX150 ASSY BLD 2X3 SG D/4 | 334823643 | D-STONE GRAY | GC | PLR | M | 4 | - | - | SALEABLE | | 34950-0610 | 34950-0620 |
| MX150 ASSY BLD 2X3 YW A/6 | 334823644 | A-YELLOW | GC | PLR | M | - | - | - | SALEABLE | | 34950-0610 | 34950-0620 |
| MX150 ASSY BLD 2X3 YW A/6 | 334823644 | A-YELLOW | GC | PLR | M | - | - | - | SALEABLE | | 34950-0610 | 34950-0620 |
| MX150 ASSY BLD 2X3 BK A/2 | 334823645 | A-BLACK | GC | PLR | M | - | - | 3 | SALEABLE | | 34950-0610 | 34950-0620 |
| MX150 ASSY BLD 2X3 BK A/2 | 334823645 | A-BLACK | GC | PLR | M | 4 | 5 | 6 | SALEABLE | | 34950-0610 | 34950-0620 |
| MX150 ASSY BLD 2X3 BK A/4 | 334823646 | A-BLACK | GC | PLR | M | - | 2 | 3 | SALEABLE | | 34950-0610 | 34950-0620 |
| MX150 ASSY BLD 2X3 BK A/4 | 334823646 | A-BLACK | GC | PLR | M | - | - | - | SALEABLE | | 34950-0610 | 34950-0620 |
| MX150 ASSY BLD 2X3 LG B/4 | 334823647 | B-LIGHT GRAY | GC | PLR | M | - | 2 | 3 | SALEABLE | | 34950-0610 | 34950-0620 |
| MX150 ASSY BLD 2X3 LG B/4 | 334823647 | B-LIGHT GRAY | GC | PLR | M | - | - | - | SALEABLE | | 34950-0610 | 34950-0620 |
| MX150 ASSY BLD 2X3 DG C/5 | 334823648 | C-DARK GRAY | GC | PLR | M | - | - | - | SALEABLE | | 34950-0610 | 34950-0620 |
| MX150 ASSY BLD 2X3 DG C/5 | 334823648 | C-DARK GRAY | GC | PLR | M | - | - | 6 | SALEABLE | | 34950-0610 | 34950-0620 |

| ASSEMBLY DESCRIPTION | ASSEMBLY PART NUMBER | COMPONENT | | | | BLOCKED TERMINALS | | | STATUS | COMMENT | OPTIONAL ATTACHMENTS SOLD SEPARATELY | |
|---------------------------|----------------------|--|-------------|-----|----------|--|---|---|----------|---------|--------------------------------------|------------------------|
| | | THE PRESENCE OF AN ABBREVIATION INDICATES THE PRESENCE OF THAT COMPONENT | | | | CAVITY WITH A NUMBER INDICATES BLOCKED TERMINAL POSITION CAVITY WITHOUT A NUMBER INDICATES OPEN TERMINAL POSITION | | | | | BACKSHELL WITH RIBS | BACKSHELL WITHOUT RIBS |
| | | HOUSING KEY/COLOR | GROMMET CAP | PLR | MAT SEAL | | | | | | | |
| MX150 ASSY BLD 2X3 BK A/4 | 334823649 | A-BLACK | GC | PLR | M | - | - | - | SALEABLE | | 34950-0610 | 34950-0620 |
| | | | | | | 4 | - | 6 | | | | |
| MX150 ASSY BLD 2X3 BK A/3 | 334823650 | A-BLACK | GC | PLR | M | 1 | - | 3 | SALEABLE | | 34950-0610 | 34950-0620 |
| | | | | | | - | 5 | - | | | | |
| MX150 ASSY BLD 2X3 BK A/3 | 334823651 | A-BLACK | GC | PLR | M | - | 2 | - | SALEABLE | | 34950-0610 | 34950-0620 |
| | | | | | | 4 | - | 6 | | | | |
| MX150 ASSY BLD 2X3 BK A/4 | 334823652 | A-BLACK | GC | PLR | M | 1 | - | - | SALEABLE | | 34950-0610 | 34950-0620 |
| | | | | | | - | - | 6 | | | | |
| MX150 ASSY BLD 2X3 BK A/4 | 334823653 | A-BLACK | GC | PLR | M | - | 2 | - | SALEABLE | | 34950-0610 | 34950-0620 |
| | | | | | | - | 5 | - | | | | |
| MX150 ASSY BLD 2X3 BK A/3 | 334823654 | A-BLACK | GC | PLR | M | 1 | - | 3 | SALEABLE | | 34950-0610 | 34950-0620 |
| | | | | | | 4 | - | - | | | | |
| MX150 ASSY BLD 2X3 BK A/1 | 334823655 | A-BLACK | GC | PLR | M | 1 | 2 | 3 | SALEABLE | | 34950-0610 | 34950-0620 |
| | | | | | | - | 5 | 6 | | | | |
| MX150 ASSY BLD 2X3 BK A/3 | 334823656 | A-BLACK | GC | PLR | M | 1 | 2 | 3 | SALEABLE | | 34950-0610 | 34950-0620 |
| | | | | | | - | - | - | | | | |
| MX150 ASSY BLD 2X3 BK A/4 | 334823657 | A-BLACK | GC | PLR | M | - | - | - | SALEABLE | | 34950-0610 | 34950-0620 |
| | | | | | | 4 | 5 | - | | | | |
| MX150 ASSY BLD 2X3 BK A/5 | 334823658 | A-BLACK | GC | PLR | M | 1 | - | - | SALEABLE | | 34950-0610 | 34950-0620 |
| | | | | | | - | - | - | | | | |
| MX150 ASSY BLD 2X3 LG B/5 | 334823659 | B-LIGHT GRAY | GC | PLR | M | 1 | - | - | SALEABLE | | 34950-0610 | 34950-0620 |
| | | | | | | - | - | - | | | | |
| MX150 ASSY BLD 2X3 LG B/5 | 334823660 | B-LIGHT GRAY | GC | PLR | M | - | - | - | SALEABLE | | 34950-0610 | 34950-0620 |
| | | | | | | - | 5 | - | | | | |
| MX150 ASSY BLD 2X3 BK A/4 | 334823661 | A-BLACK | GC | PLR | M | 1 | - | - | SALEABLE | | 34950-0610 | 34950-0620 |
| | | | | | | - | 5 | - | | | | |
| MX150 ASSY BLD 2X3 BK A/3 | 334823662 | A-BLACK | GC | PLR | M | - | - | 3 | SALEABLE | | 34950-0610 | 34950-0620 |
| | | | | | | 4 | - | 6 | | | | |
| MX150 ASSY BLD 2X3 LG B/4 | 334823663 | B-LIGHT GRAY | GC | PLR | M | - | - | - | SALEABLE | | 34950-0610 | 34950-0620 |
| | | | | | | - | 5 | 6 | | | | |
| MX150 ASSY BLD 2X3 BK A/5 | 334823664 | A-BLACK | GC | PLR | M | - | - | - | SALEABLE | | 34950-0610 | 34950-0620 |
| | | | | | | - | - | 6 | | | | |

| TABLE OF CONTENTS | |
|-------------------|--------------------------|
| SHEET NO. | SHEET DESCRIPTION |
| 1 | NOTES AND BOM |
| 2 | CONFIGURATIONS |
| 3-4 | KEY CONFIGURATIONS |
| 5 | BLADE SEALED ASSEMBLY |
| 6 | SYSTEM PACKAGING |
| 7 | BACKSHELL NOTES |
| 8 | BACKSHELL |
| 9 | BACKSHELL CONFIGURATIONS |

NOTES: VALID UNLESS OTHERWISE SPECIFIED

1. GENERAL:
a. APPLICATION SPECIFICATION SEE: AS-33472-100
-CONTAINS: PRODUCT INTRODUCTION, PRODUCT SUMMARY, CONNECTOR ASSEMBLY, PACKAGING INFORMATION, CONNECTOR MATING, SERVICE INSTRUCTIONS, ELECTRICAL CONTINUITY CHECKING, CRIMPING, AND TROUBLESHOOTING.
-DESIGNED TO MATE WITH RECEPTACLE SEALED ASSEMBLY AS SPECIFIED IN THE MATING CONNECTOR DRAWINGS CHART.
*DENOTES DRAWINGS THAT CAN BE ACCESSED AT <http://ewcap.uscarteams.org/>.
-ASSEMBLY SHIPPED WITH PLR IN PRE-LOCK POSITION (SEE PLR PRE-LOCK VIEW SHEET 5).

b. PRODUCT SPECIFICATION SEE:
-STANDARD CONFIGURATION: PS-33472-000
-UL V0 CONFIGURATION: TBD
CONTAINS: PRODUCT INTRODUCTION, PRODUCT SUMMARY, RATINGS (CURRENT, TEMPERATURE, SEALING, AND FLAMMABILITY), TERMINALS, WIRE DIAMETER RANGE, PRODUCT VALIDATION, AND PRODUCT DEVIATIONS.

c. PACKAGING SPECIFICATION PER MOLEX DRAWING: PK-31300-635

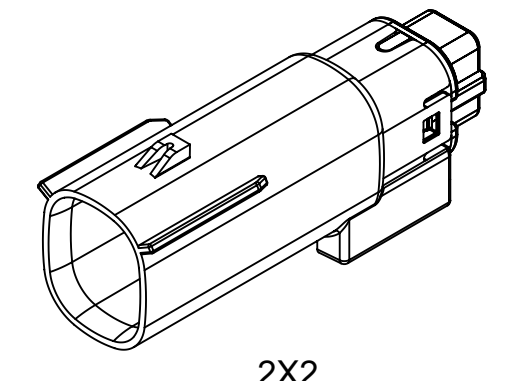
d. PARTS MUST BE IN COMPLIANCE TO MOLEX CHEMICAL SUBSTANCES FOR PRODUCTS AND PACKAGING SPECIFICATION: QEHS-699000-300

e. DATA MUST BE SUBMITTED UNDER THE MOLEX PART NUMBER TO IMDS (COMPANY ID#13255)

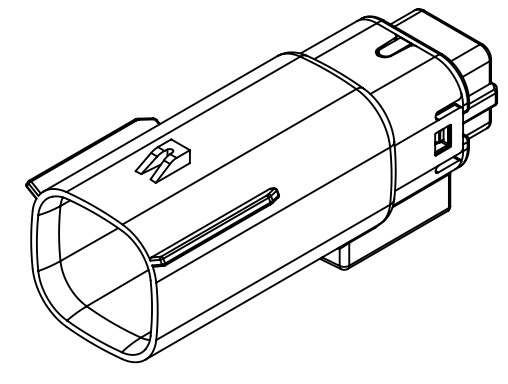
2. DESIGN - MATERIALS:
a. FOR BILL OF MATERIALS SEE:
-STANDARD CONFIGURATION: SD-33482-0002
-UL V0 CONFIGURATION: SD-160084-0002

3. DESIGN - GEOMETRY:
a. THE 3-D CAD DATA IS BASIC (WITHOUT TOLERANCE) AND MASTER FOR THIS PART WITH THE EXCEPTION OF UNDERLINED DIMENSIONS. DIMENSIONAL INFORMATION NOT SHOWN ON THIS DRAWING IS DEFINED BY THE DATA FILE AT ITS LATEST REVISION.
b. GEOMETRIC DIMENSIONS AND TOLERANCES PER ASME Y14.5M-2009
c. EDGES AND UNDIMENSIONED DETAILS PER ISO13715
d. CORNERS SHOWN AS SHARP TO BE R 0.2 MAX.
e. LETTERING SHALL BE 0.15 MAX RAISED IN 0.25 MAX RECESS PAD. THIS INCLUDES RECYCLING CODE, CAVITY ID, VENDOR IDENTIFICATION, AND CUSTOMER MATERIAL NUMBER.
f. VISUAL DEFECTS SHALL MEET COSMETIC STANDARD PS-45499-002 (Class B).
g. LASER MARKING:
1. PART NUMBER
2. DAY OF THE YEAR
3. SHIFT
4. YEAR
FOR ADDITIONAL INFORMATION SEE SECTION 5 UNDER PROCEDURES IN ES-34735-008.

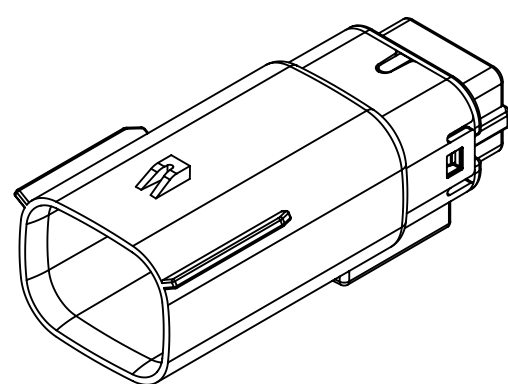
| MATING CONNECTOR DRAWINGS | |
|---------------------------|---------------|
| DESCRIPTION | MOLEX INLINE |
| 2X2 | SD-33472-0001 |
| 2X3 | SD-33472-0001 |
| 2X4 | SD-33472-0001 |
| 2X6 | SD-33472-0001 |
| 2X8 | SD-33472-0001 |
| 2X10 | SD-33472-0001 |



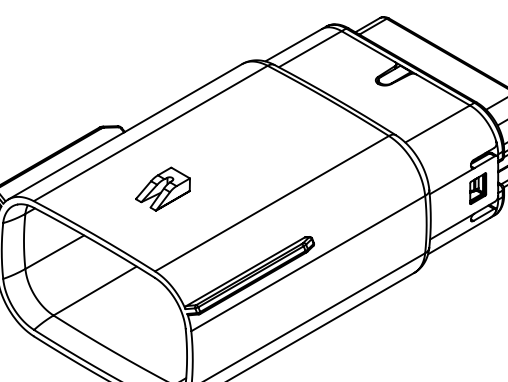
2X2



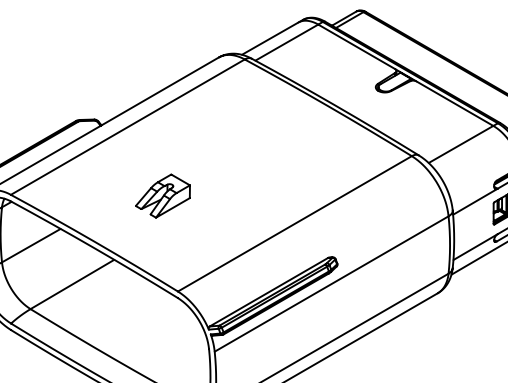
2X3



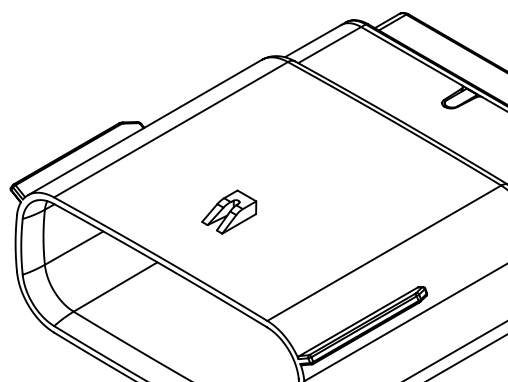
2X4



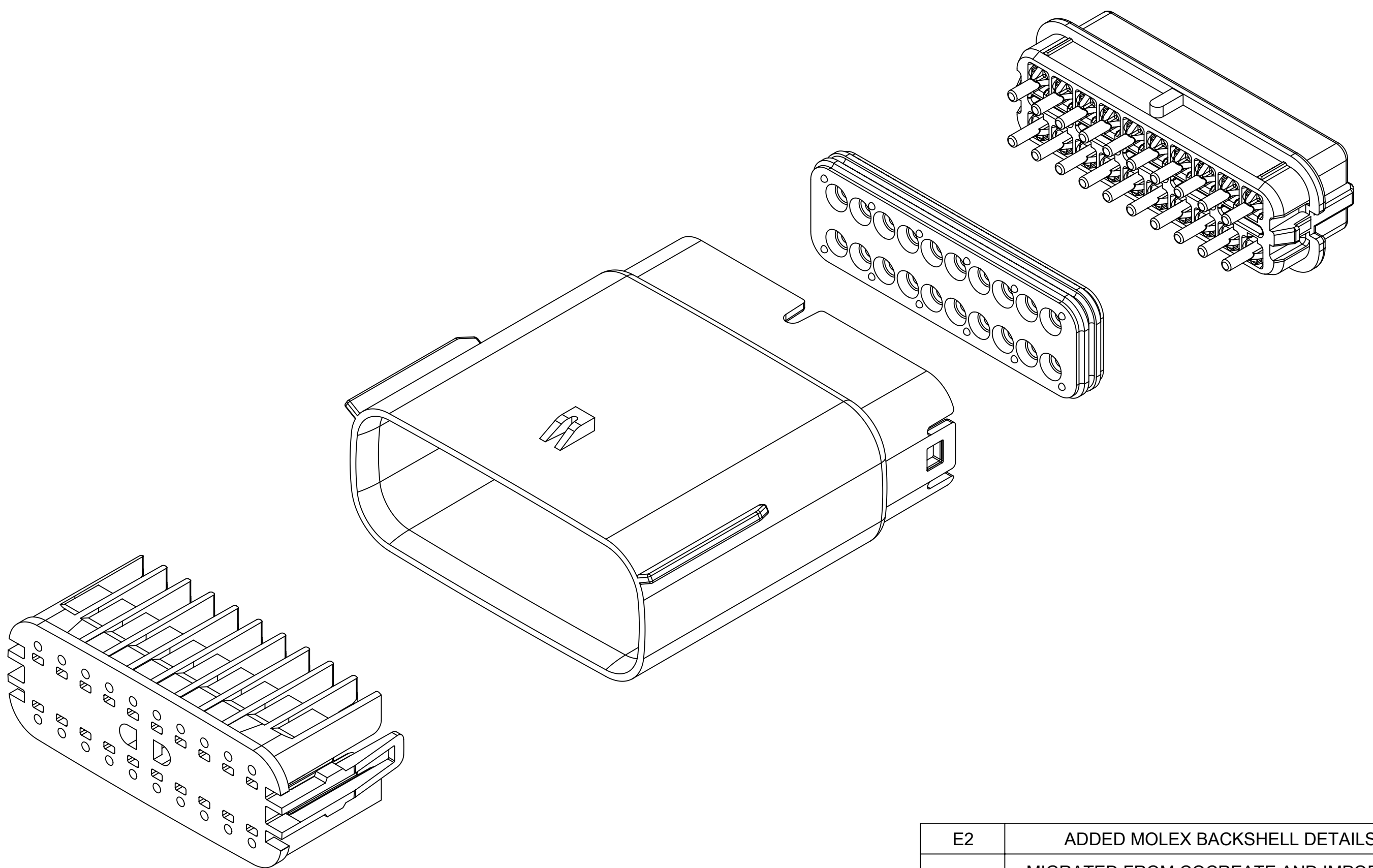
2X6



2X8



2X10



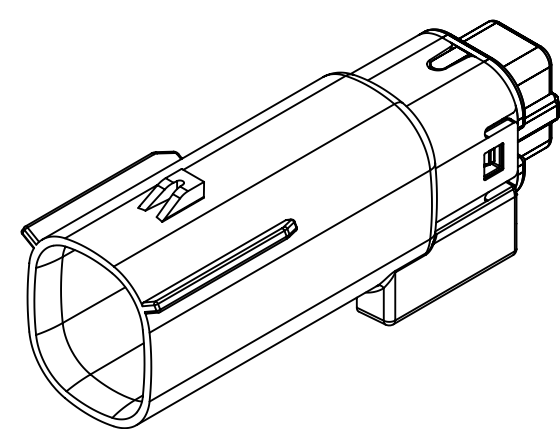
| REV | REV DESCRIPTION |
|-----|---|
| E2 | ADDED MOLEX BACKSHELL DETAILS |
| E1 | MIGRATED FROM COCREATE AND IMPORTED DXF FILES |
| E | ADDED CHARTED DIMENSIONS FOR 2X2, 2X4, 2X6 AND 2X8 WITH CLIPSLLOT |
| D | MINOR GEOMETRY CHANGE FOR UL V0 |
| C3 | ADD 2X4 |
| C2 | ADD 2X3 |
| C1 | ADD UL V0 CONFIGURATIONS |
| C | ADD 2X8 |
| B1 | ADD 2X6 BACKSHELL INFO |
| B | ADD 2X6 |
| A | INITIAL RELEASE |
| REV | REV DESCRIPTION |

| INSPECTION NUMBER LOG | |
|-----------------------|---|
| LAST NUMBER: | 9 |
| ADDED: | |
| REMOVED: | |

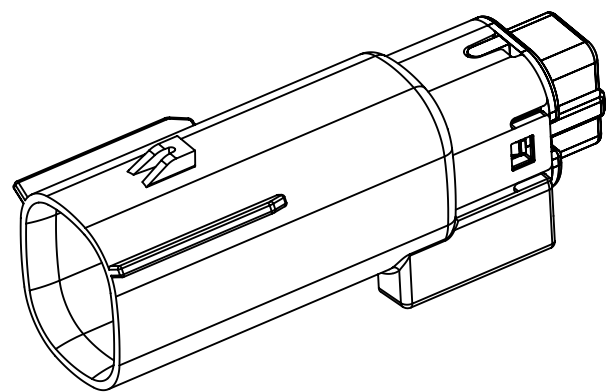
| | | | | | | | | |
|--|---|--|---|--|---|--|-------------------------|--|
| SYMBOLS = 0 mm = 0 GENERAL TOLERANCES (UNLESS SPECIFIED) = 0 ANGULAR TOL ± 1.0° = 0 4 PLACES ± = 0 3 PLACES ± = 0 2 PLACES ± 0.1 = 0 1 PLACE ± 0.2 = 0 0 PLACES ± = 0 DRAFT WHERE APPLICABLE MUST REMAIN WITHIN DIMENSIONS | THIS DRAWING CONTAINS INFORMATION THAT IS PROPRIETARY TO MOLEX ELECTRONIC TECHNOLOGIES, LLC AND SHOULD NOT BE USED WITHOUT WRITTEN PERMISSION | | SCALE 1.5:1 | | CURRENT REV DESC: EC NO: 171650 DRWN: PMANJUNATHAC 2018/01/03 CHK'D: MVANSLAMBROU 2018/02/16 APPR: MVANSLAMBROU 2018/02/16 | | | |
| | GENERAL TOLERANCES (UNLESS SPECIFIED) | | INITIAL REVISION: DRWN: APROFFITT 2014/04/28 APPR: VKOSHY 2014/05/14 | | DOCUMENT NUMBER SD-33482-0001 | | | |
| | PRODUCT CUSTOMER DRAWING | | MATERIAL NUMBER 33482 | | CUSTOMER GENERAL MARKET | | SHEET NUMBER 1 OF 11 | |
| | DRAFT WHERE APPLICABLE MUST REMAIN WITHIN DIMENSIONS | | THIRD ANGLE PROJECTION | | DRAWING A1-SIZE | | SERIES 33482 | |

| DOCUMENT STATUS | P1 | RELEASE DATE | 2018/02/16 | 22:02:26 |
|-----------------|----|--------------|------------|----------|
| 18 | 17 | 16 | 15 | 14 |

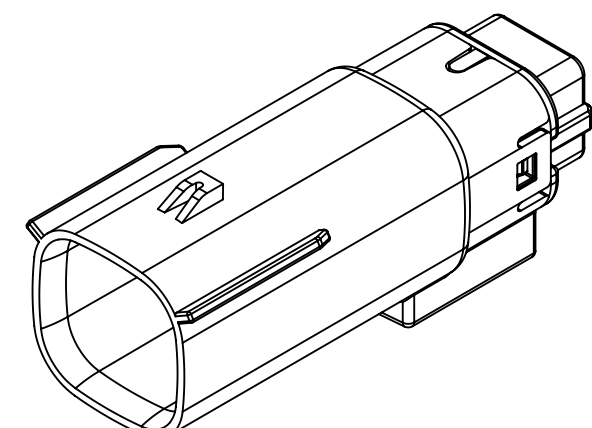
SHEET DESCRIPTION
CONFIGURATIONS



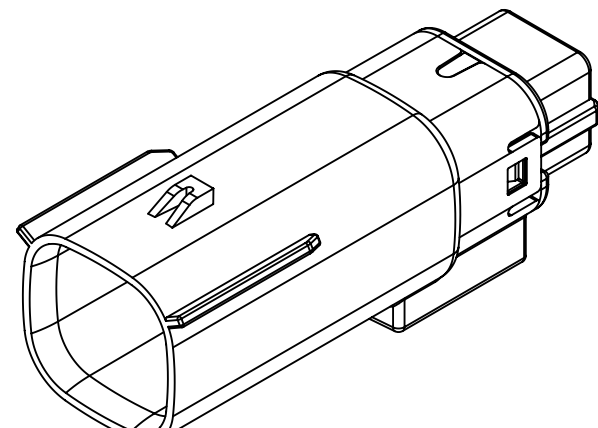
2X2 - STANDARD (STD)



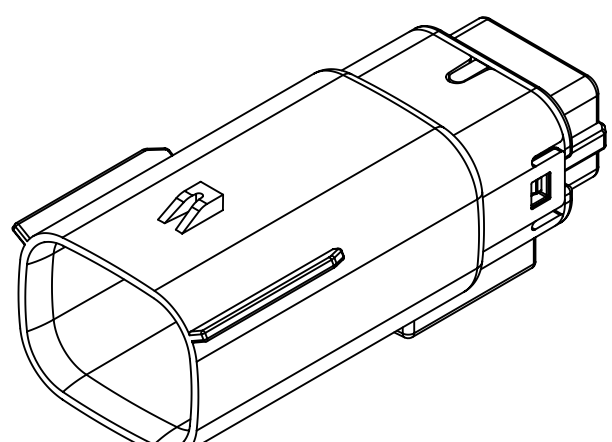
2X2 - UL V0*



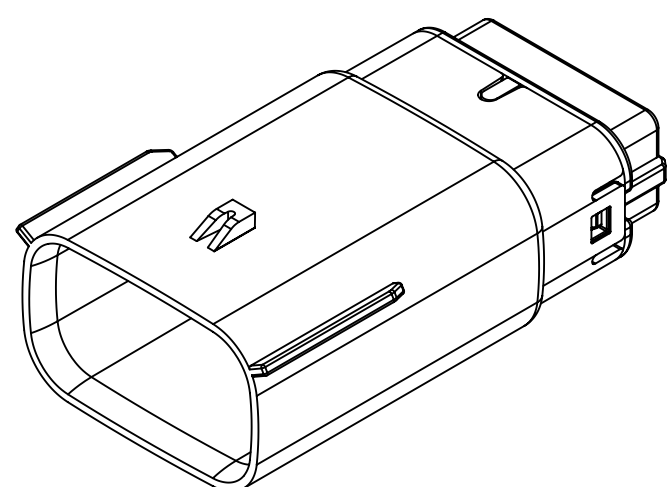
2X3 - STANDARD (STD)



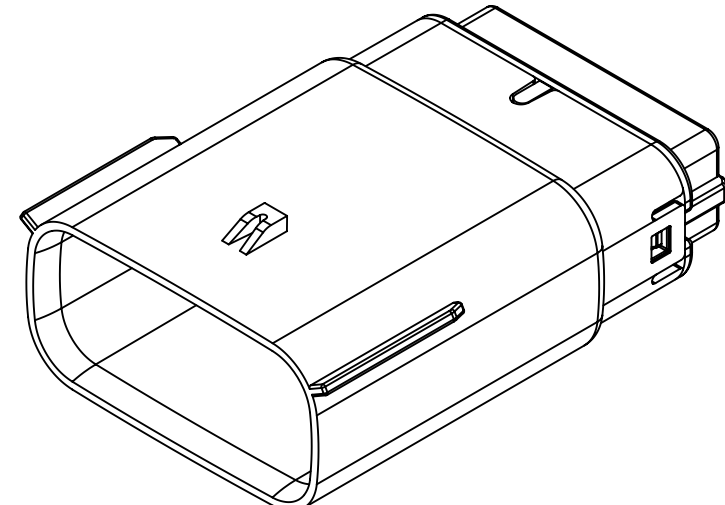
2X3 - LENGTHENED



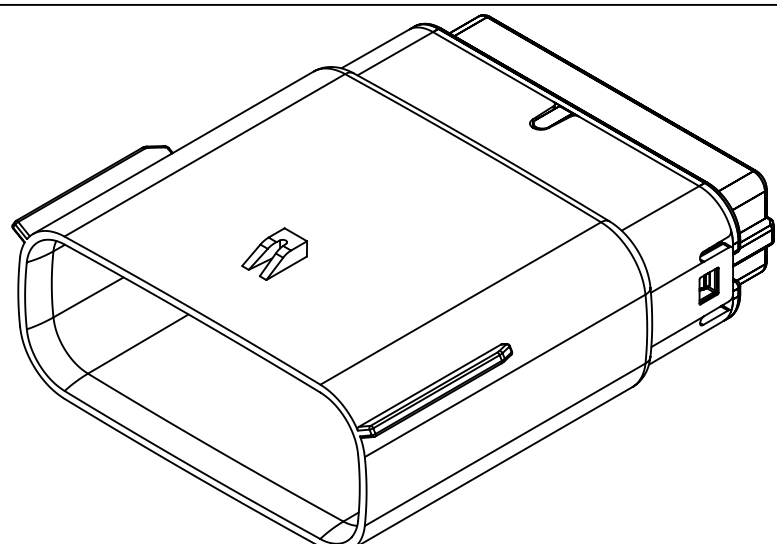
2X4 - STANDARD (STD)



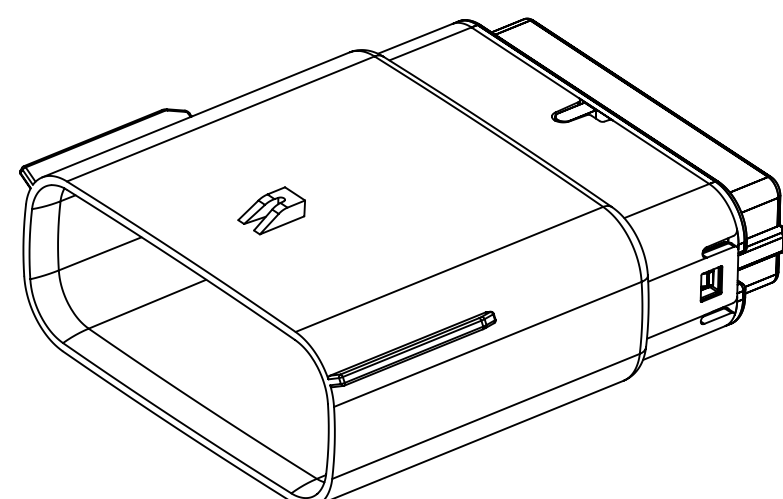
2X6 - STANDARD (STD)



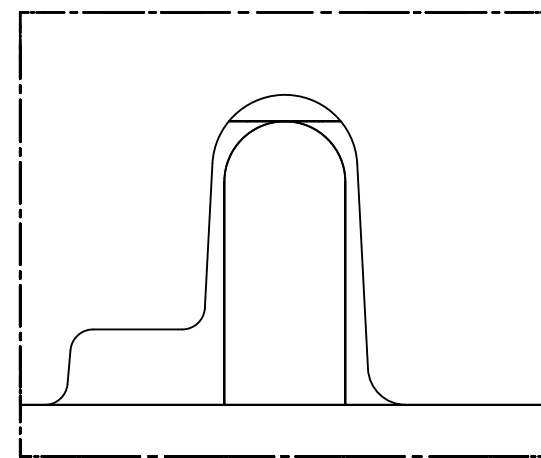
2X8 - STANDARD (STD)



2X10 - STANDARD (STD)



2X10 - UL V0*



UL V0 UNIQUE FEATURE

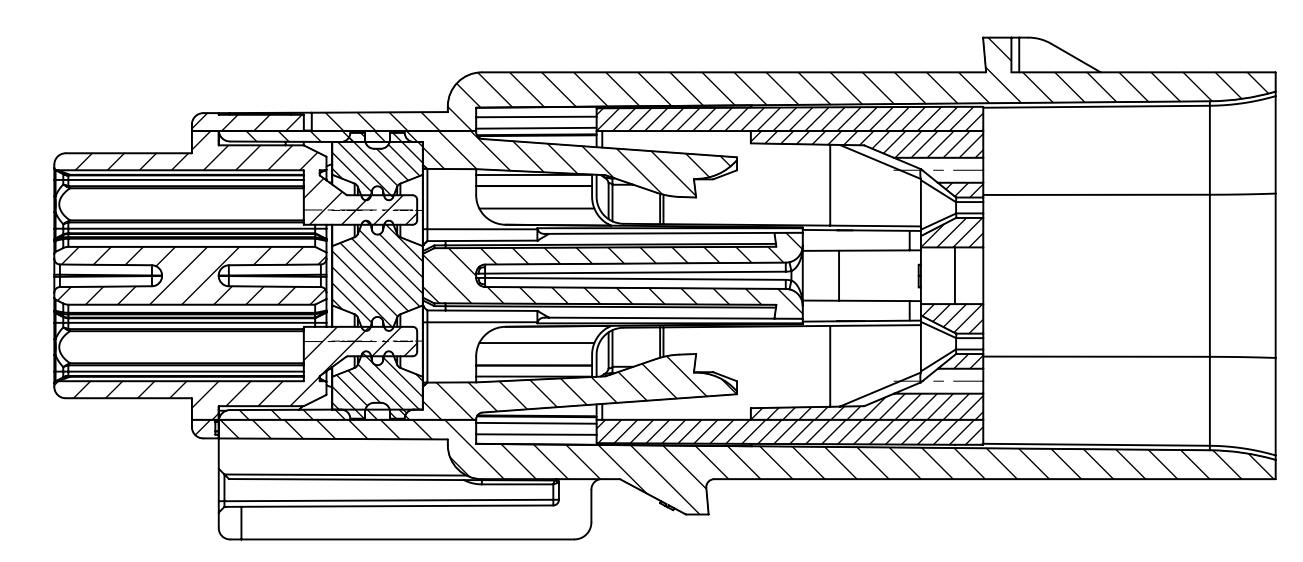
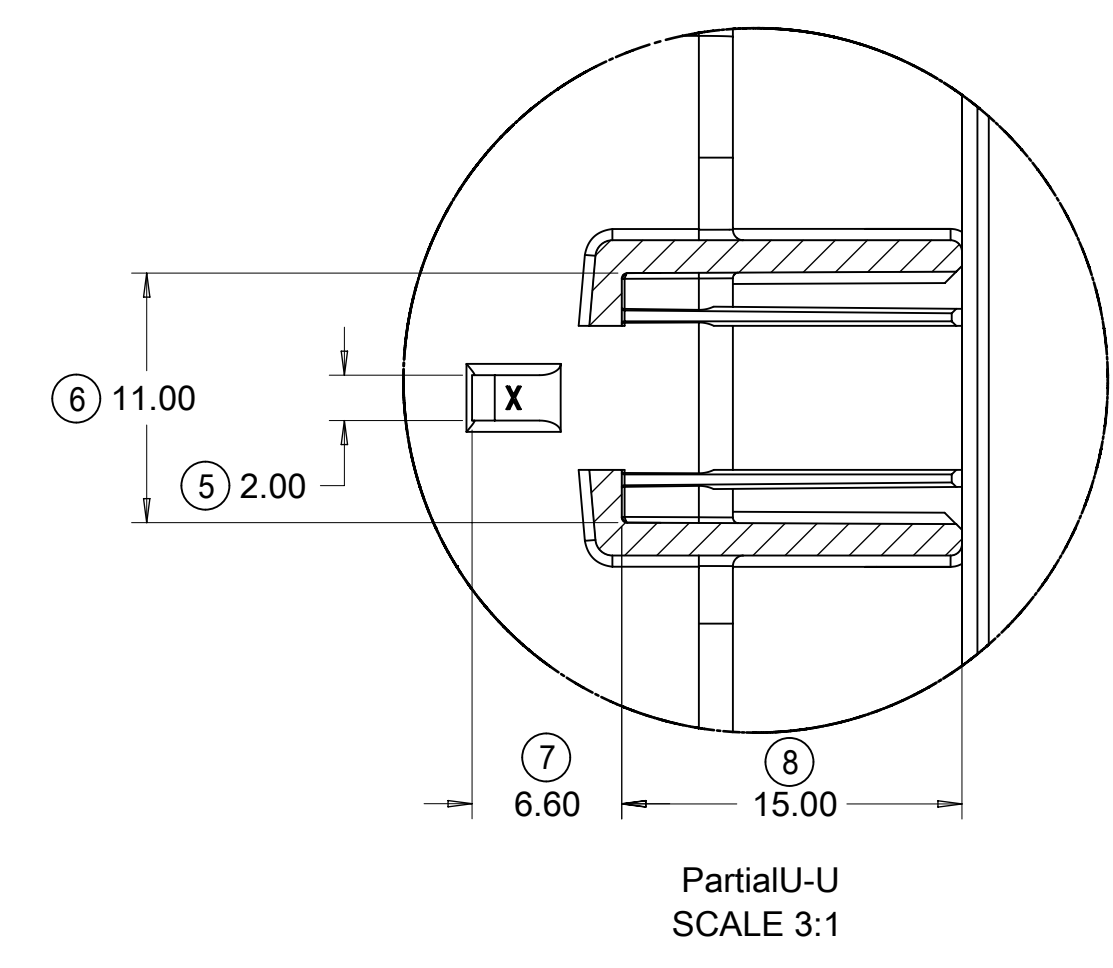
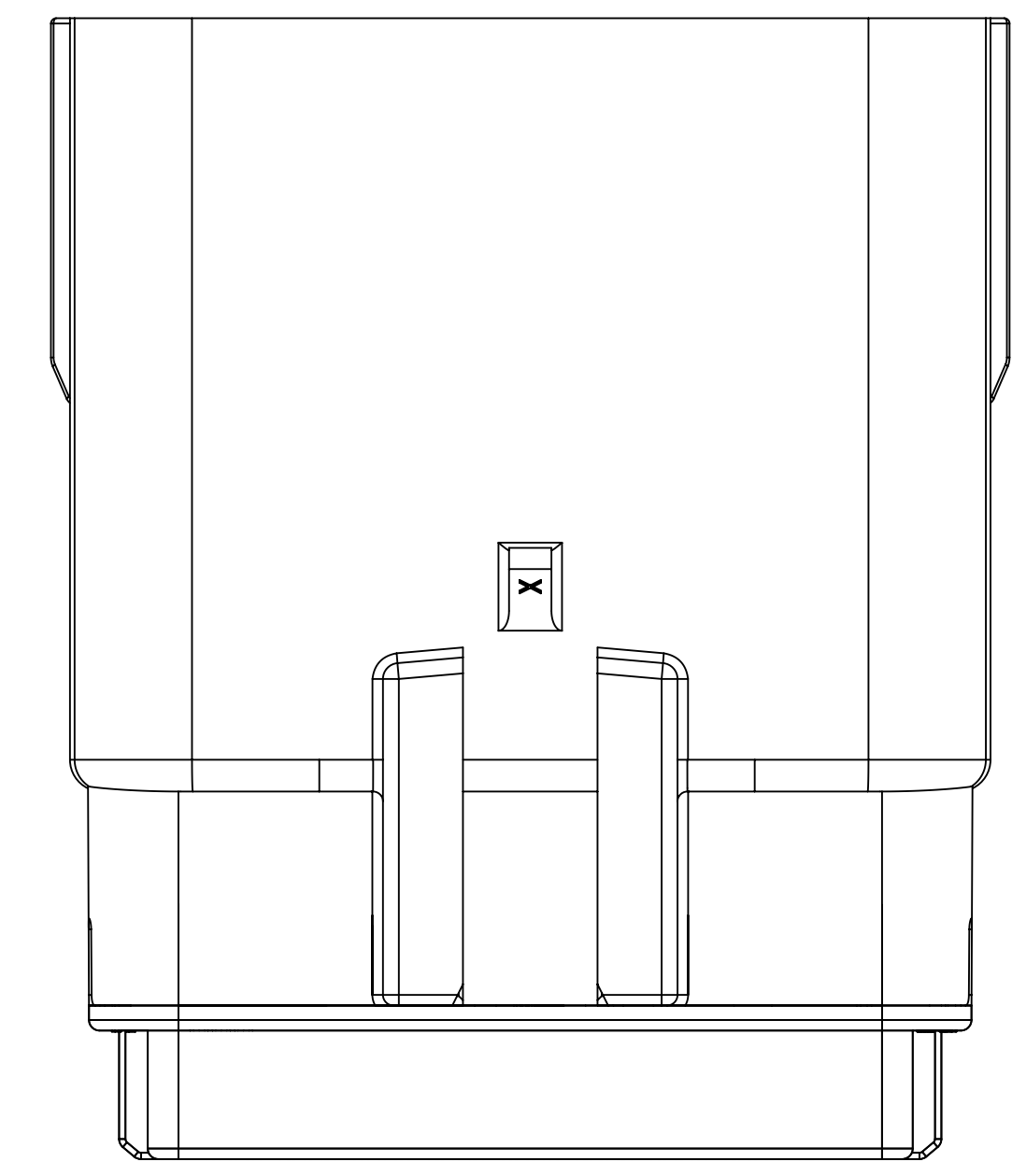
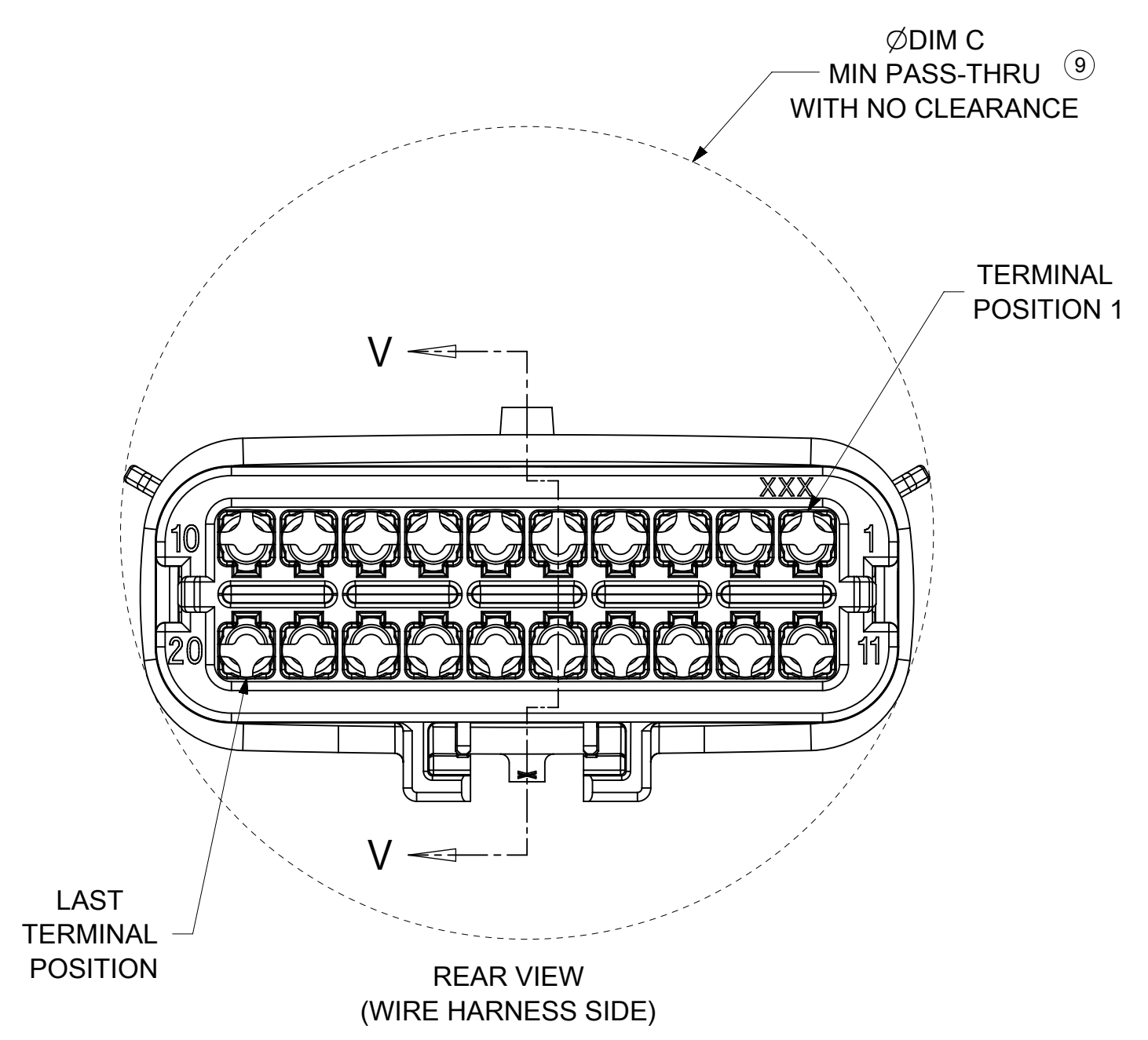
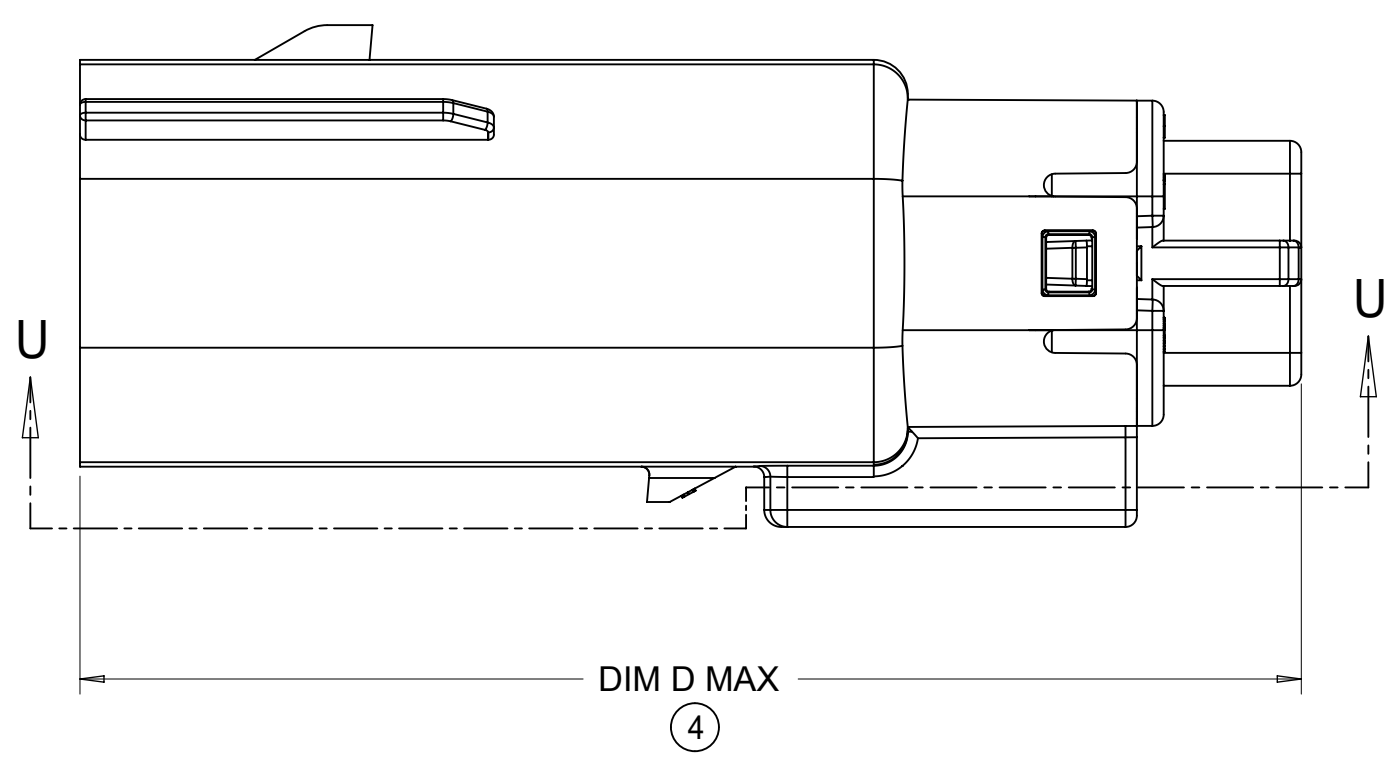
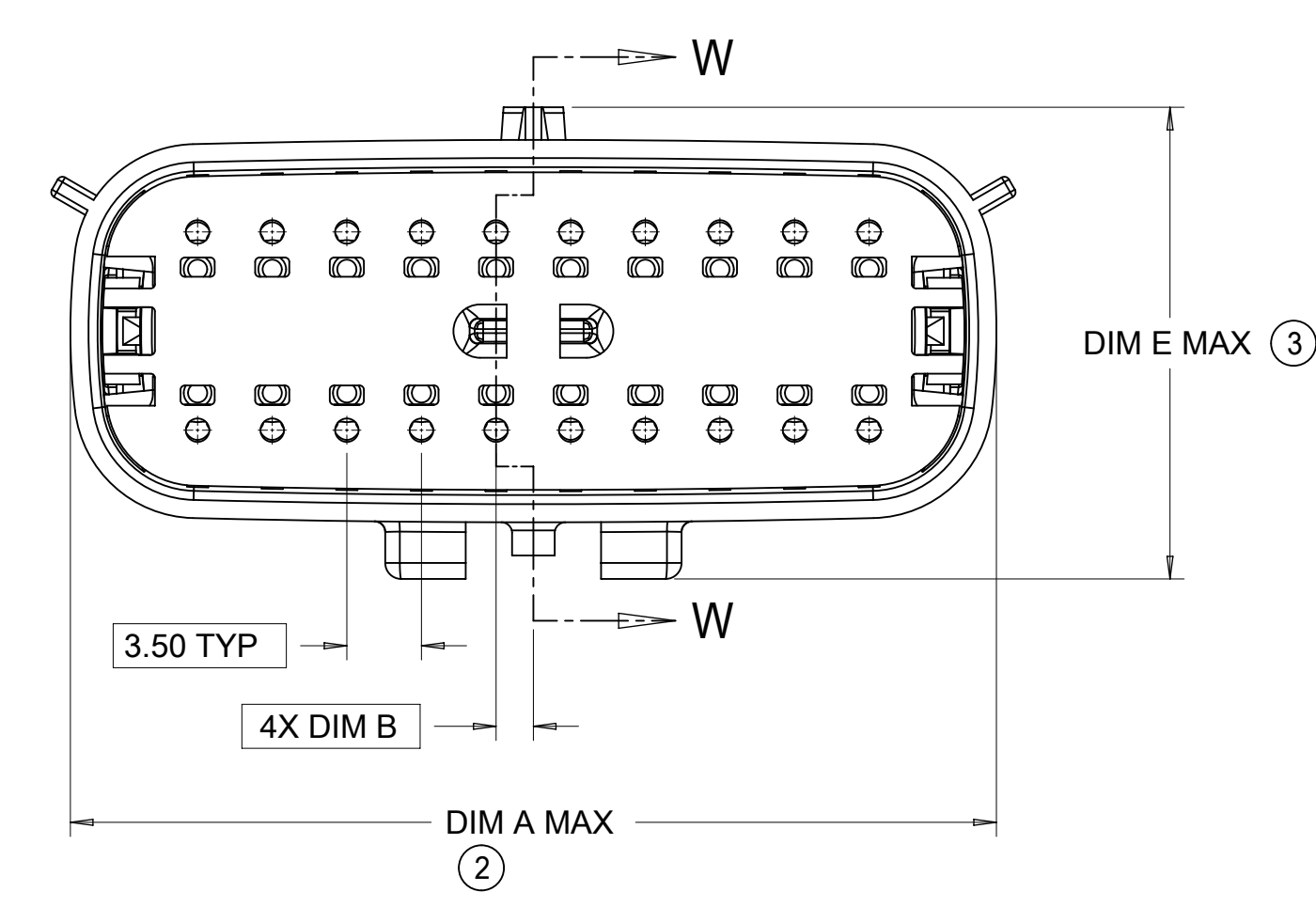
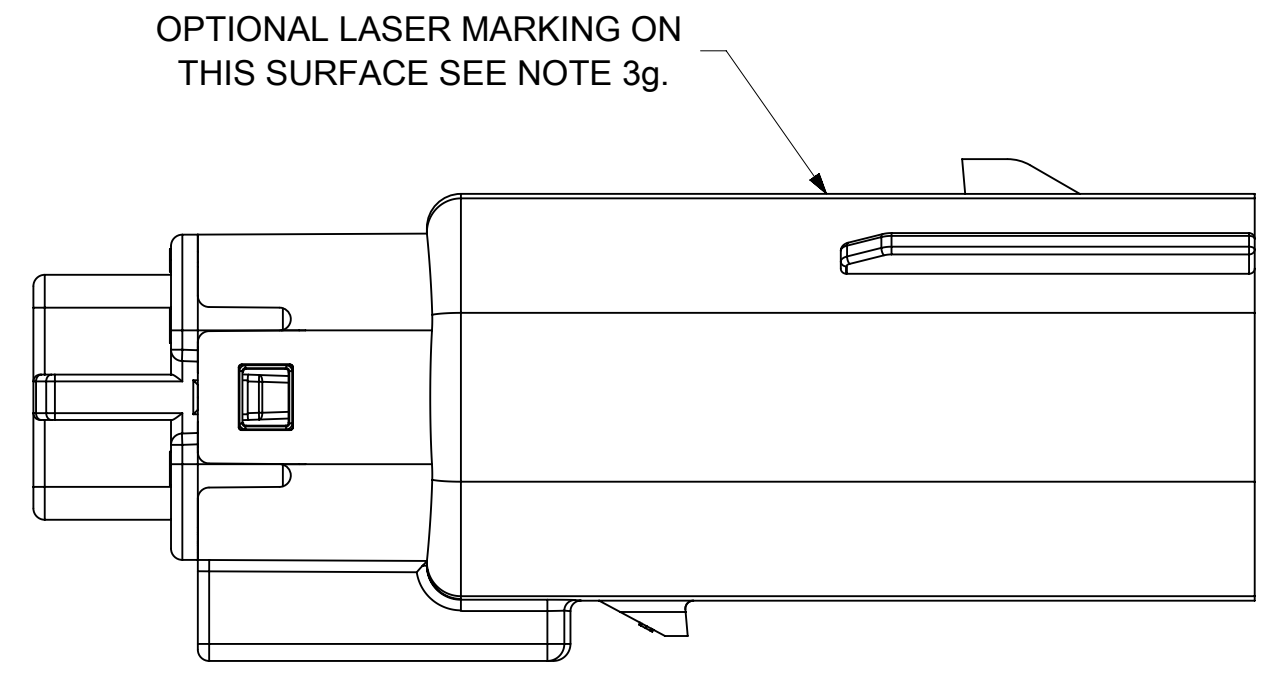
Partial1
SCALE 10:1

* MINOR GEOMETRY CHANGE THAN STANDARD CONFIGURATION.
SEE NOTE 2a FOR MORE INFORMATION

| | | | | | | | | | |
|---------|---|-------|--------------------------------|-------|--|---------|--|---------------|--------|
| SYMBOLS | THIS DRAWING CONTAINS INFORMATION THAT IS PROPRIETARY TO MOLEX ELECTRONIC TECHNOLOGIES, LLC AND SHOULD NOT BE USED WITHOUT WRITTEN PERMISSION | | CURRENT REV DESC: | | | | | | |
| | DIMENSION UNITS | SCALE | | | | | | EC NO: 171650 | DRWING |
| ▽ = 0 | mm | 1.5:1 | DRWN: PMANJUNATHAC 2018/01/03 | | MX150 BLADE DUAL ROW SEALED ASSEMBLY MAT SEAL | | | | |
| ▽ = 0 | GENERAL TOLERANCES (UNLESS SPECIFIED) | | CHK'D: MVANSLAMBROU 2018/02/16 | | | | | | |
| ▽ = 0 | ANGULAR TOL ± 1.0° | | APPR: MVANSLAMBROU 2018/02/16 | | PRODUCT CUSTOMER DRAWING | | | | |
| ▽ = 0 | 4 PLACES | ± | INITIAL REVISION: | | DOCUMENT NUMBER | | | | |
| ▽ = 0 | 3 PLACES | ± | DRWN: APROFFITT 2014/04/28 | | SD-33482-0001 | | | | |
| ▽ = 0 | 2 PLACES | ± 0.1 | APPR: VKOSHY 2014/05/14 | | PSD 001 E2 | | | | |
| ▽ = 0 | 1 PLACE | ± 0.2 | THIRD ANGLE PROJECTION | | MATERIAL NUMBER | | | | |
| ▽ = 0 | 0 PLACES | ± | DRAWING | | CUSTOMER | | | | |
| ▽ = 0 | DRAFT WHERE APPLICABLE MUST REMAIN WITHIN DIMENSIONS | | A1-SIZE | | GENERAL MARKET | | | | |
| ▽ = 0 | | | SERIES | | SHEET NUMBER | | | | |
| | | | | 33482 | | 2 OF 11 | | | |

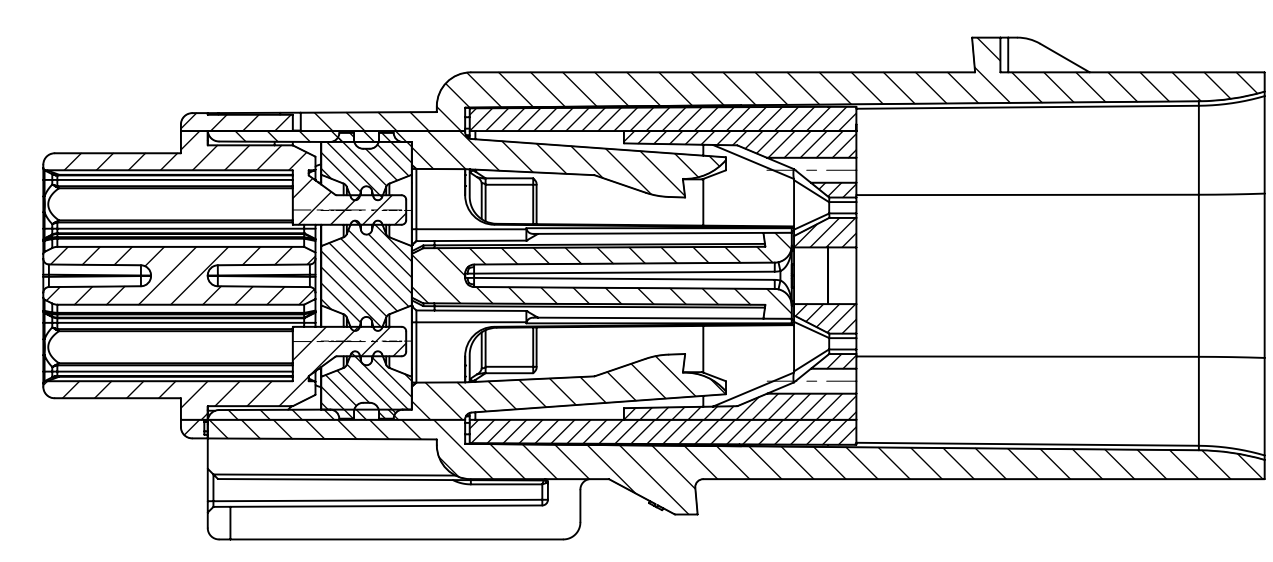
SHEET DESCRIPTION
BLADE SEALED ASSEMBLY

| DESCRIPTION | DIMENSIONS | | | | |
|----------------|------------|------|-------|-------|-------|
| | A | B | C | D | E |
| 2X2 | 15.54 | 1.75 | 24.40 | 54.45 | 22.23 |
| 2X3 STANDARD | 19.04 | 3.50 | 26.21 | 54.45 | 22.23 |
| 2X3 LENGTHENED | 19.04 | 3.50 | 26.21 | 56.45 | 22.23 |
| 2X4 | 22.54 | 1.75 | 27.21 | 54.45 | 22.23 |
| 2X6 | 29.54 | 1.75 | 32.27 | 54.45 | 22.23 |
| 2X8 | 36.54 | 1.75 | 38.88 | 54.45 | 22.23 |
| 2X10 | 43.64 | 1.75 | 45.65 | 54.45 | 22.05 |



PRIMARY LOCK REINFORCEMENT (PLR) SHOWN IN PRE-STAGED POSITION

SECTION W-W



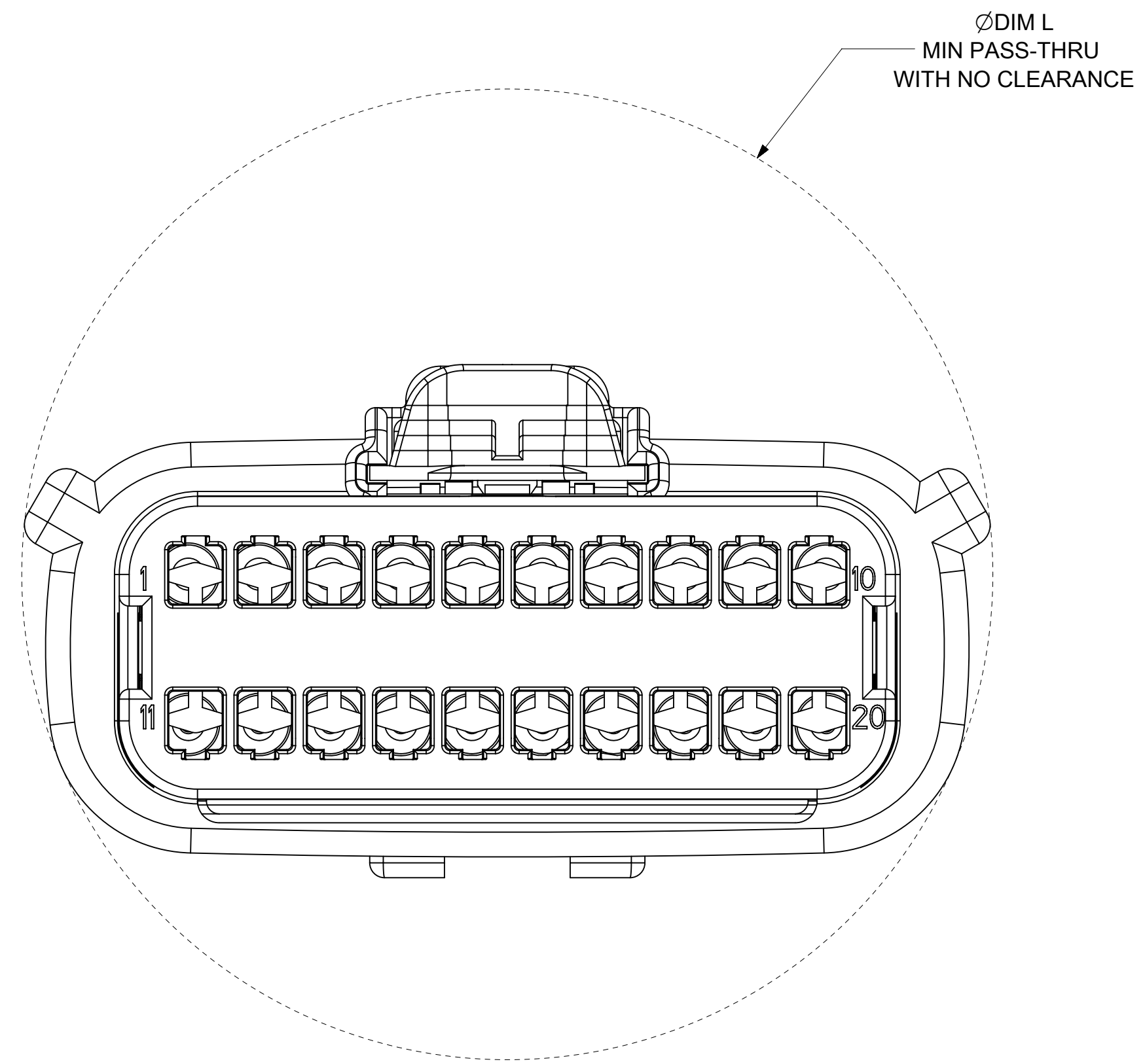
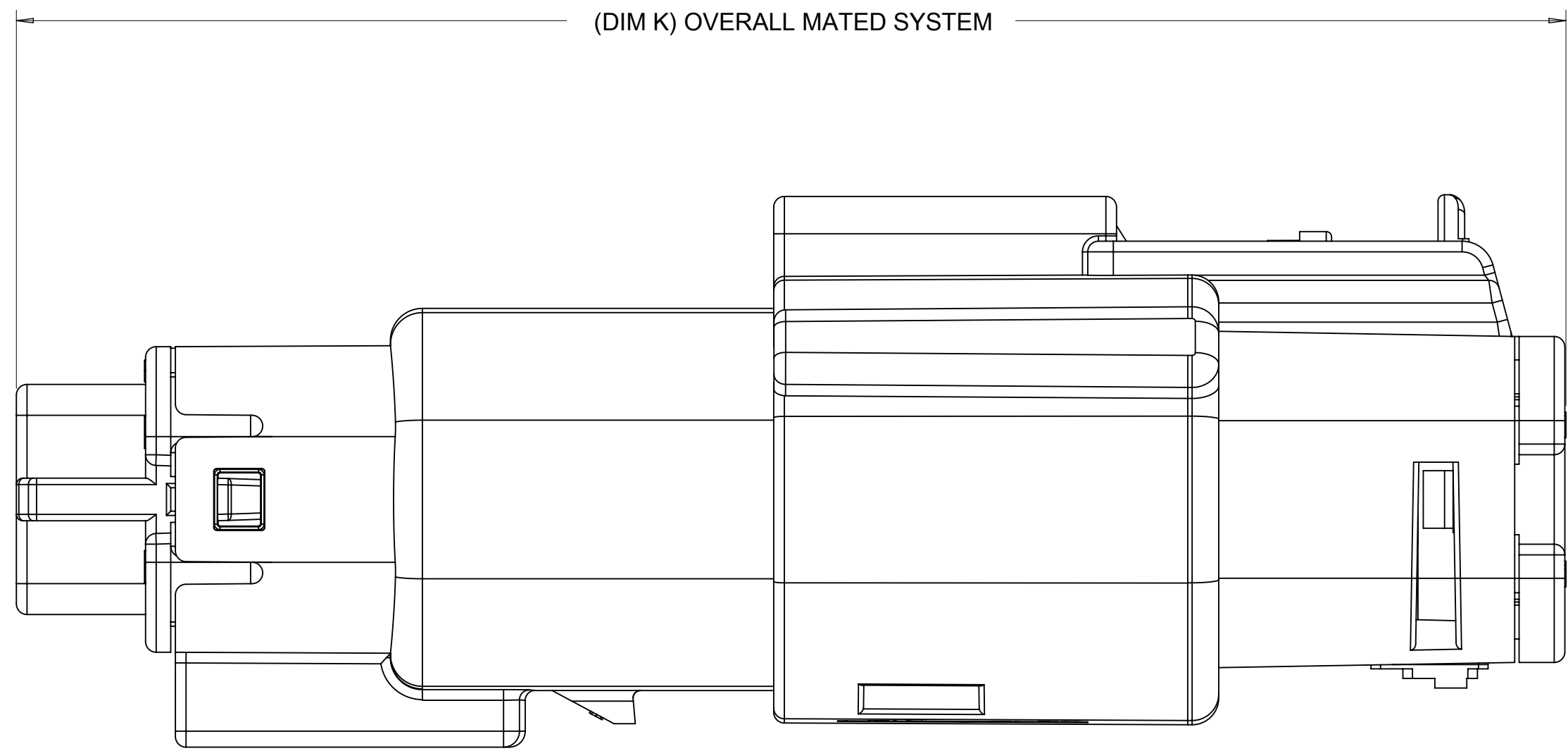
PRIMARY LOCK REINFORCEMENT (PLR) SHOWN IN FINAL-LOCK POSITION

SECTION V-V

| | | | | |
|---|--|---------------|--|--|
| SYMBOLS THIS DRAWING CONTAINS INFORMATION THAT IS PROPRIETARY TO MOLEX ELECTRONIC TECHNOLOGIES, LLC AND SHOULD NOT BE USED WITHOUT WRITTEN PERMISSION DIMENSION UNITS: mm SCALE: 3:1 GENERAL TOLERANCES (UNLESS SPECIFIED): ANGULAR TOL: ± 1.0° 4 PLACES: ± 3 PLACES: ± 2 PLACES: ± 0.1 1 PLACE: ± 0.2 0 PLACES: ± DRAFT WHERE APPLICABLE MUST REMAIN WITHIN DIMENSIONS | CURRENT REV DESC: EC NO: 171650 DRWN: PMANJUNATHAC 2018/01/03 CHK'D: MVANSLAMBROU 2018/02/16 APPR: MVANSLAMBROU 2018/02/16 INITIAL REVISION: DRWN: APROFFITT 2014/04/28 APPR: VKOSHY 2014/05/14 | | MX150 BLADE DUAL ROW SEALED ASSEMBLY MAT SEAL PRODUCT CUSTOMER DRAWING | |
| | DOCUMENT NUMBER: SD-33482-0001 DOC TYPE: PSD DOC PART: 001 REVISION: E2 | | | |
| MATERIAL NUMBER: A1-SIZE CUSTOMER: GENERAL MARKET SHEET NUMBER: 5 OF 11 | | SERIES: 33482 | | |

SHEET DESCRIPTION
SYSTEM PACKAGING

| CHARTED DIMENSION | | | | |
|-------------------|---------------------|--------------------------|------------|-------|
| CKT | BLADE CONFIGURATION | RECEPTACLE CONFIGURATION | DIMENSIONS | |
| | | | K | L |
| 2X2 | STANDARD | W/O CLIPSLOT | 72.78 | 28.00 |
| | | W/ CLIPSLOT | 72.78 | 28.50 |
| | | LENGTHENED | 77.21 | 28.00 |
| 2X3 | STANDARD | W/O CLIPSLOT | 72.78 | 28.00 |
| | | W/ CLIPSLOT | | 30.50 |
| | LENGTHENED | W/O CLIPSLOT | 74.79 | 28.00 |
| | | W/ CLIPSLOT | | 30.50 |
| 2X4 | STANDARD | W/O CLIPSLOT | 72.78 | 29.50 |
| | | W/ CLIPSLOT | | 31.50 |
| 2X6 | STANDARD | W/O CLIPSLOT | 72.79 | 35.58 |
| | | W/ CLIPSLOT | | |
| 2X8 | STANDARD | W/O CLIPSLOT | 72.67 | 42.25 |
| | | W/ CLIPSLOT | | |
| 2X10 | STANDARD | STANDARD | 72.78 | 49.05 |



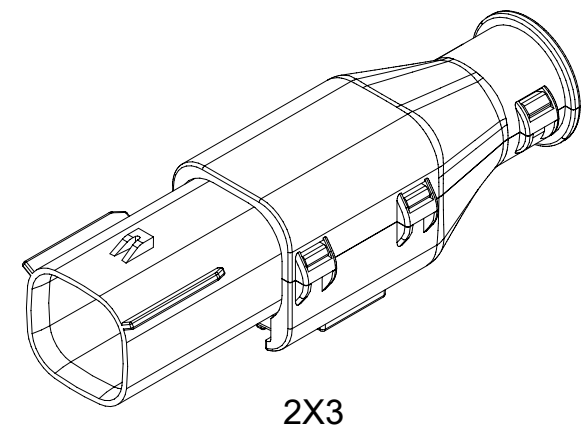
| | | | | | | | | | | |
|---|---|-----------------|---|-------------------|---|--|--|--|--|--|
| SYMBOLS ▽ = 0 ▽ = 0 ▽ = 0 ▽ = 0 ▽ = 0 ▽ = 0 ▽ = 0 ▽ = 0 ▽ = 0 ▽ = 0 ▽ = 0 | THIS DRAWING CONTAINS INFORMATION THAT IS PROPRIETARY TO MOLEX ELECTRONIC TECHNOLOGIES, LLC AND SHOULD NOT BE USED WITHOUT WRITTEN PERMISSION | DIMENSION UNITS | SCALE | CURRENT REV DESC: | | | | | | |
| | mm | 4:1 | EC NO: 171650 DRWN: PMANJUNATHAC 2018/01/03 CHK'D: MVANSLAMBROU 2018/02/16 APPR: MVANSLAMBROU 2018/02/16 | | | | | | | |
| | GENERAL TOLERANCES (UNLESS SPECIFIED) | | | | INITIAL REVISION: | | | DOCUMENT NUMBER SD-33482-0001 | | |
| | ANGULAR TOL ± 1.0° | | | | DRWN: APROFFITT 2014/04/28 APPR: VKOSHY 2014/05/14 | | | DOC TYPE DOC PART REVISION PSD 001 E2 | | |
| | 4 PLACES ± | | | | DRAFT WHERE APPLICABLE MUST REMAIN WITHIN DIMENSIONS | | | MATERIAL NUMBER 33482 | | |
| | 3 PLACES ± | | | | THIRD ANGLE PROJECTION | | | CUSTOMER GENERAL MARKET | | |
| | 2 PLACES ± 0.1 | | | | DRAWING A1-SIZE | | | SHEET NUMBER 6 OF 11 | | |
| | 1 PLACE ± 0.2 | | | | SERIES 33482 | | | | | |
| | 0 PLACES ± | | | | | | | | | |

SHEET DESCRIPTION
BACKSHELL NOTES

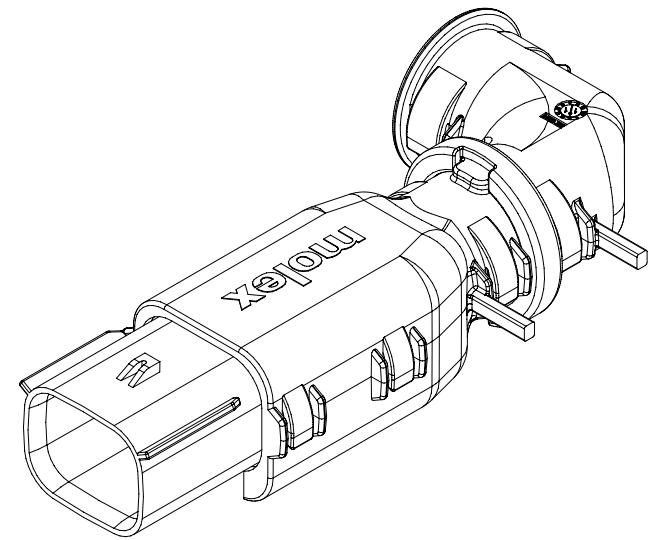
BACKSHELL NOTES: VALID UNLESS OTHERWISE SPECIFIED

1. GENERAL:

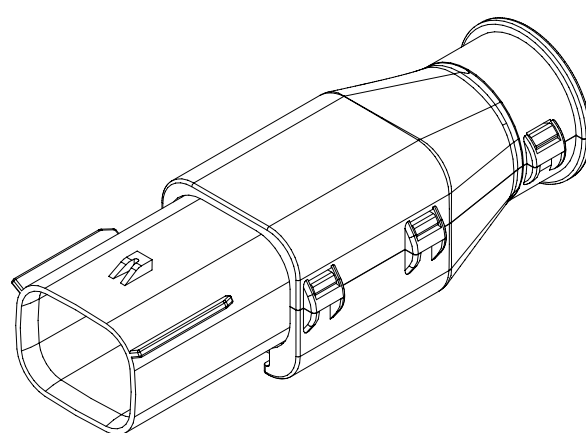
- a. APPLICATION SPECIFICATION SEE: AS-34951-001
- DESIGNED TO MATE WITH BLADE SEALED ASSEMBLY SPECIFIED IN MOLEX DRAWING SD-33482-0001.
- SYSTEM TO BE USED WITH WIRE WITHIN DIAMETER RANGE OF 1.2mm TO 2.69mm.
- COMPONENTS ARE OPTIONAL AND MUST BE PURCHASED SEPERATELY.
- DESIGN IS OWNED BY SCHLEMMER FOR SCHLEMMER BACKSHELL.
- DESIGN IS OWNED BY MOLEX FOR MOLEX BACKSHELL.
- 90° ADAPTOR DESIGN IS OWNED BY MOLEX.
- FOR ADDITIONAL INFORMATION SEE THE BACKSHELL COMPONENT DRAWING SD-34950-0001.



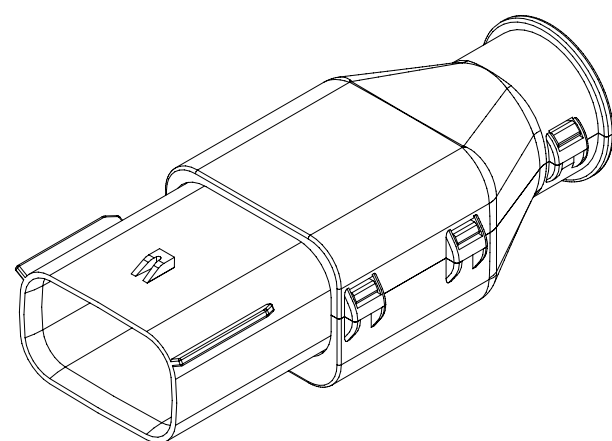
2X3



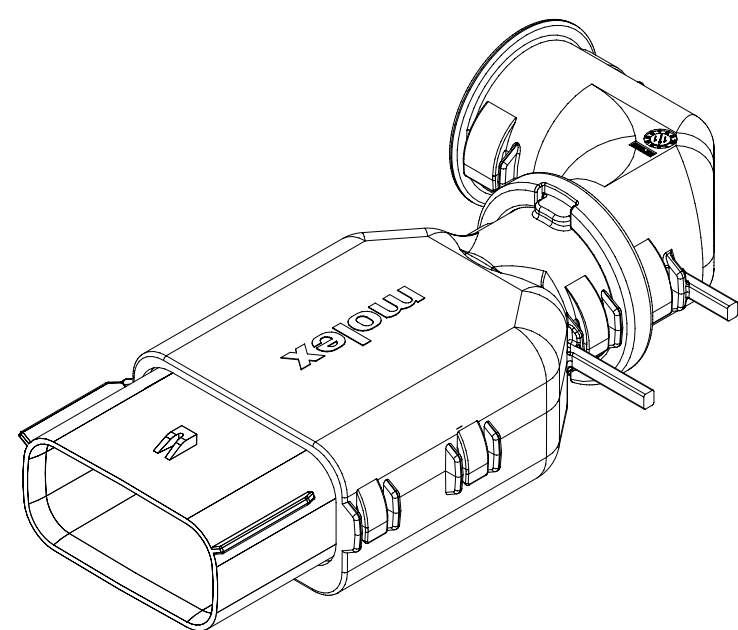
2X4



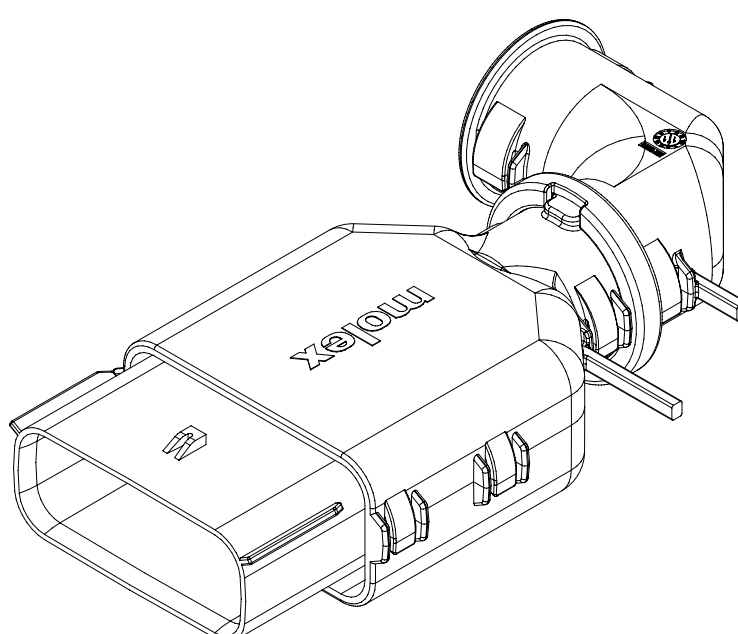
2X4



2X6



2X8



2X10

BACKSHELL CUSTOMER MODEL NUMBER LEGEND

34950-XXXX

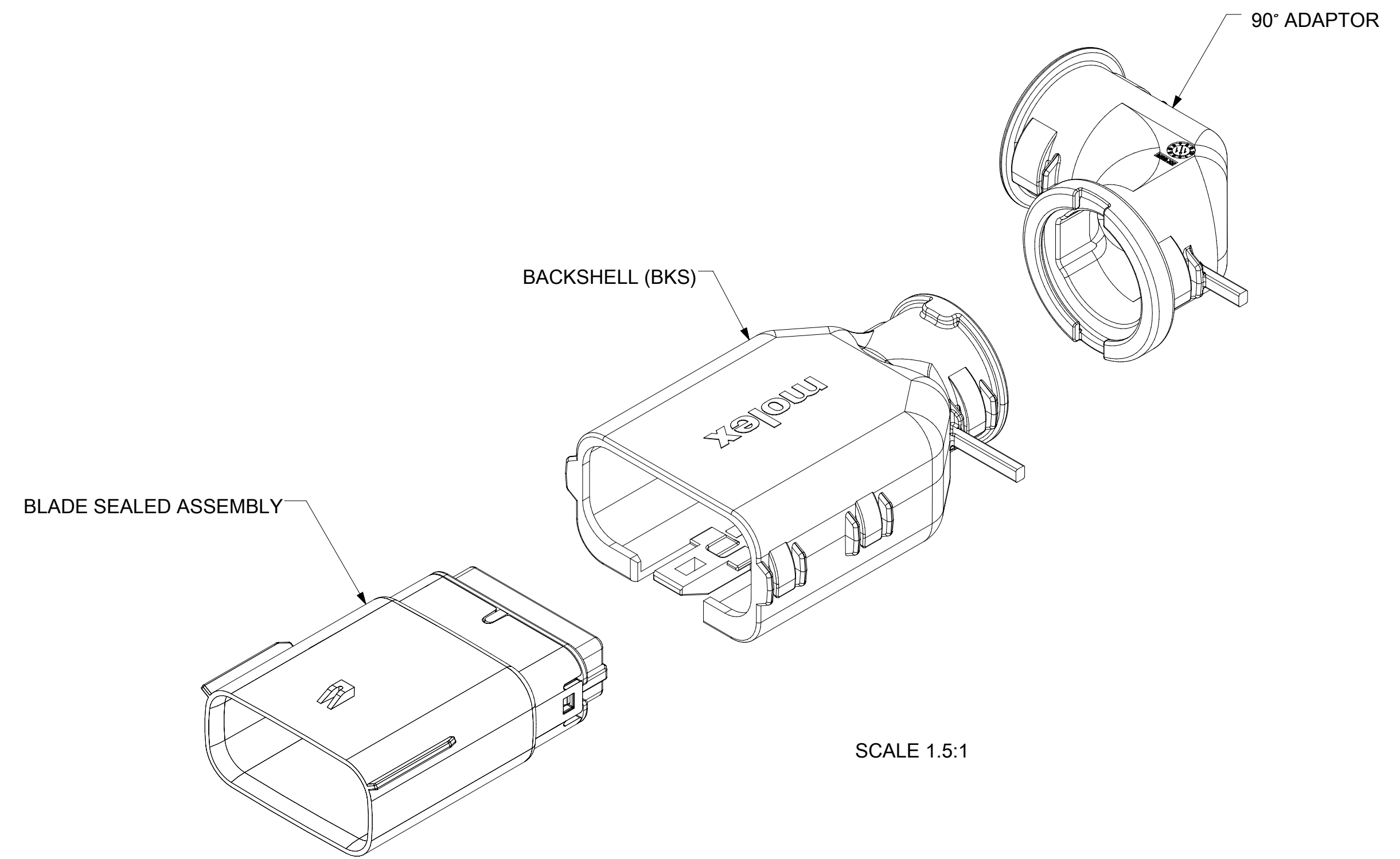
CUSTOMER MODEL COMPONENTS

- 0 - SCHLEMMER BACKSHELL ONLY
- 1 - SCHLEMMER BACKSHELL & MX150 HOUSING KEY A ASSEMBLY
- 2 - SCHLEMMER BACKSHELL & MX150 HOUSING KEY B ASSEMBLY
- 3 - SCHLEMMER BACKSHELL & MX150 HOUSING KEY C ASSEMBLY
- 4 - SCHLEMMER BACKSHELL & MX150 HOUSING KEY D ASSEMBLY
- 5 - MOLEX BACKSHELL ONLY
- 6 - MOLEX BACKSHELL & MX150 HOUSING KEY A ASSEMBLY
- 7 - MOLEX BACKSHELL & MX150 HOUSING KEY B ASSEMBLY
- 8 - MOLEX BACKSHELL & MX150 HOUSING KEY C ASSEMBLY
- 9 - MOLEX BACKSHELL & MX150 HOUSING KEY D ASSEMBLY

BACKSHELL FEATURES

- 1 - WITH RIBS
- 2 - WITHOUT RIBS
- 3 - 90° ADAPTOR

MX150 CIRCUIT SIZE 04, 06, 08, 12, 16, 20



| | | | | | | | | | |
|---------|---|-------|----------------------------|--------------------------------|-----------------|-----|-----|---------------|-------------------------------|
| SYMBOLS | THIS DRAWING CONTAINS INFORMATION THAT IS PROPRIETARY TO MOLEX ELECTRONIC TECHNOLOGIES, LLC AND SHOULD NOT BE USED WITHOUT WRITTEN PERMISSION | | CURRENT REV DESC: | | | | | | |
| | DIMENSION UNITS | SCALE | | | | | | EC NO: 171650 | DRWN: PMANJUNATHAC 2018/01/03 |
| ▽ = 0 | mm | 1.5:1 | DRWN: APROFFITT 2014/04/28 | CHK'D: MVANSLAMBROU 2018/02/16 | SD-33482-0001 | PSD | 001 | E2 | |
| ▽ = 0 | GENERAL TOLERANCES (UNLESS SPECIFIED) | | APPR: VKOSHY 2014/05/14 | APPR: MVANSLAMBROU 2018/02/16 | | | | | PRODUCT CUSTOMER DRAWING |
| ▽ = 0 | ANGULAR TOL ± 1.0° | | INITIAL REVISION: | | DOCUMENT NUMBER | | | SHEET NUMBER | |
| ▽ = 0 | 4 PLACES ± | | DRWN: APROFFITT 2014/04/28 | | MATERIAL NUMBER | | | CUSTOMER | |
| ▽ = 0 | 3 PLACES ± | | APPR: VKOSHY 2014/05/14 | | SERIES | | | SHEET NUMBER | |
| ▽ = 0 | 2 PLACES ± 0.1 | | DRAWING | | GENERAL MARKET | | | 7 OF 11 | |
| ▽ = 0 | 1 PLACE ± 0.2 | | THIRD ANGLE PROJECTION | | CUSTOMER | | | 7 OF 11 | |
| ▽ = 0 | 0 PLACES ± | | DRAWING | | CUSTOMER | | | 7 OF 11 | |
| ▽ = 0 | DRAFT WHERE APPLICABLE MUST REMAIN WITHIN DIMENSIONS | | DRAWING | | CUSTOMER | | | 7 OF 11 | |
| ▽ = 0 | | | DRAWING | | CUSTOMER | | | 7 OF 11 | |

| ! {9a . [D59{/wt =lhb | ! {9a . [D t! w b- a . 9w | /ha thb9b= | | | | . [h/Y95 =9wa lb! [{ | | | | | | | | | | | {m m- { | /ha a 9b={ | ht =lhb! [! m/ I a 9b={ h{5 {9t 9w =9[D | | | | |
|-----------------------|------------------------------|--|-----------|-----|------------|--|---|---|---|---|---|--|--|--|--|--|---------|------------|---|------------------------------|--|--|--|
| | | =I 9tw9b/9hC! b! . . w9! ll =lhb lb5L! =9{ =I 9 tw9(9b/9hC=I! =/ha thb9b= | | | | /! ' l=9° l=I ! b- a . 9wlb5L! =9{ . [h/Y95 =9wa lb! [th{l=lhb /! ' l=9° l=I h- =! b- a . 9wlb5L! =9{ ht9b =9wa lb! [th{l=lhb | | | | | | | | | | | | | ./Y{I 9[[° l=I wL { | ./Y{I 9[[° l=I h- = wL { | | | |
| | | I h- {lbD Y9D=h[hw | Dwha a 9= | t[w | a! = {9! [| ろ | わ | わ | ゐ | ゑ | を | | | | | | | | | | | | |
| Y9D! 9[! /Y | ! | D/ | t[w | a | | | | | | | | | | | | | | | {! [9! . [9 | | | | |
| Y9D. =I DI = Dw E | . | D/ | t[w | a | | | | | | | | | | | | | | | {! [9! . [9 | | | | |
| Y9D/ =5! w Dw E | / | D/ | t[w | a | | | | | | | | | | | | | | | {! [9! . [9 | | | | |
| Y9D! 9[! /Y | ! | D/ | t[w | a | | | | | | | | | | | | | | | {! [9! . [9 | | | | |
| Y9D! 9[! /Y | ! | D/ | t[w | a | | | | | | | | | | | | | | | {! [9! . [9 | | | | |
| Y9D! 9[! /Y | ! | D/ | t[w | a | | | | | | | | | | | | | | | {! [9! . [9 | | | | |
| Y9D! 9[! /Y | ! | D/ | t[w | a | | | | | | | | | | | | | | | {! [9! . [9 | | | | |
| Y9D! 9[! /Y | ! | D/ | t[w | a | | | | | | | | | | | | | | | {! [9! . [9 | | | | |
| Y9D! 9[! /Y | ! | D/ | t[w | a | | | | | | | | | | | | | | | {! [9! . [9 | | | | |
| Y9D! 9[! /Y | ! | D/ | t[w | a | | | | | | | | | | | | | | | {! [9! . [9 | | | | |
| Y9D. =I DI = Dw E | . | D/ | t[w | a | | | | | | | | | | | | | | | {! [9! . [9 | | | | |
| Y9D. =I DI = Dw E | . | D/ | t[w | a | | | | | | | | | | | | | | | {! [9! . [9 | | | | |
| Y9D! 9[! /Y | ! | D/ | t[w | a | | | | | | | | | | | | | | | {! [9! . [9 | | | | |
| Y9D! 9[! /Y | ! | D/ | t[w | a | | | | | | | | | | | | | | | {! [9! . [9 | | | | |
| Y9D. =I DI = Dw E | . | D/ | t[w | a | | | | | | | | | | | | | | | {! [9! . [9 | | | | |

Table with columns for phonetic symbols, kana characters, and romanized forms. Includes headers like /ha thb9b= and /h/Y95 99wa lb! { { and rows of data for various syllables.

Table with multiple columns containing alphanumeric characters and symbols, organized in a grid format. The table includes various combinations of letters, numbers, and symbols, likely representing a data set or a codebook.

Table with multiple columns containing alphanumeric codes, symbols, and Japanese characters. The table is organized into several sections with headers like /ha thb9b and .[h/Y95 9wa lb! {.

Table with multiple columns containing alphanumeric characters and symbols, organized in a grid format. The table includes various combinations of letters, numbers, and symbols, likely representing a data set or a codebook.

Table with multiple columns containing alphanumeric characters and symbols, organized in a grid format. The table includes various combinations of letters, numbers, and symbols, likely representing a data set or a codebook.

Table with multiple columns containing phonetic symbols, kana characters, and Romanized characters. The table is organized into several sections with headers like /ha thb9b= and .[h/Y95 =9wa lb! [{.

