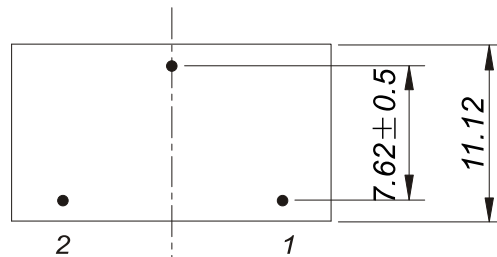
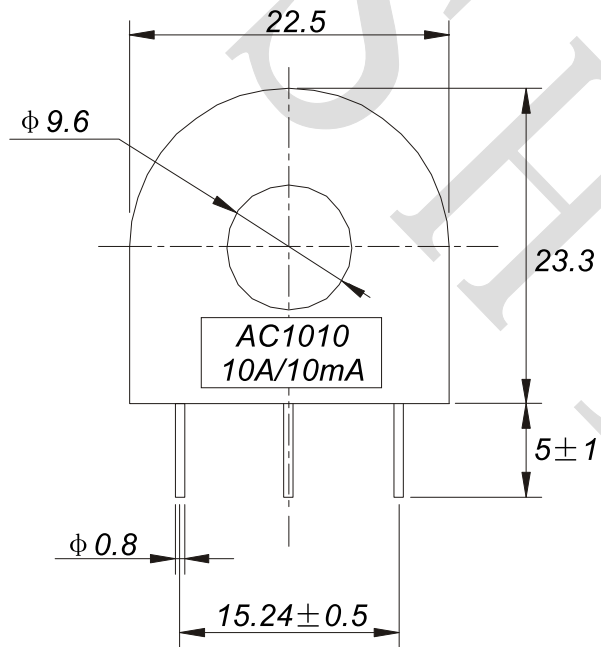




### 1. PHYSICAL CHARACTERISTICS (mm)

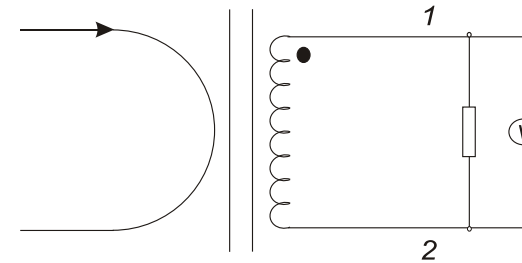


Bottom view

#### NOTES:

Temp 20°C 48%RH  
RoHS Compliant

### 2. ELECTRONICAL SCHEMATIC



### 3. ELECTRONICAL SPECIFICATIONS

Turns ratio: 1000:1

Rated current: 10A

Output current: 10mA

Hi-Pot: Pri to Sec AC4KV 1mA 1Min

RDC:  $41.8\Omega \pm 15\%$  @  $T=20^\circ\text{C}$

Operating temperature:  $-55^\circ\text{C}$  to  $130^\circ\text{C}$

### 4. MATERIAL LIST

NO	Materials	Specifications	Supplier
1	Shell	PC	SHANGHAIDALONG
2	Wire	2UEW	PENGTAI
3	Core	Ultramicro crystal	ZHONGTIANKELIN
4	Epoxy	9241#(A:B)	TAINJINQIAO

NAME: Current transformer

CUSTOMER P/N: AC1010      DATE: 2014-08-22

SHINHOM P/N: ACST010C-10A-10mA      REV: A0      PAGE

DRAWN BY

CHECKED BY

APPROVE BY



**SHINHOM**

SHAANXISHINHOM ENTERPRISE CO LTD

TEL: +86-029-87851838  
FAX: +86-029-87851840  
ZIP: 710054  
Http://www.shinhom.com  
E-mail: shinhom@globalsources.com  
sales@shinhom.com.cn  
NO. 8, Yanta Northern Road, Xi'an Shaanxi Pro. China