

REV.	DESCRIPTION	DRAWN	CHECKED	APPROVED
A	NEW RELEASE	YCH 03/31/11'	~	LJC 03/31/11'
B	ADD P/N CODE	YCH 12/07/13'	~	

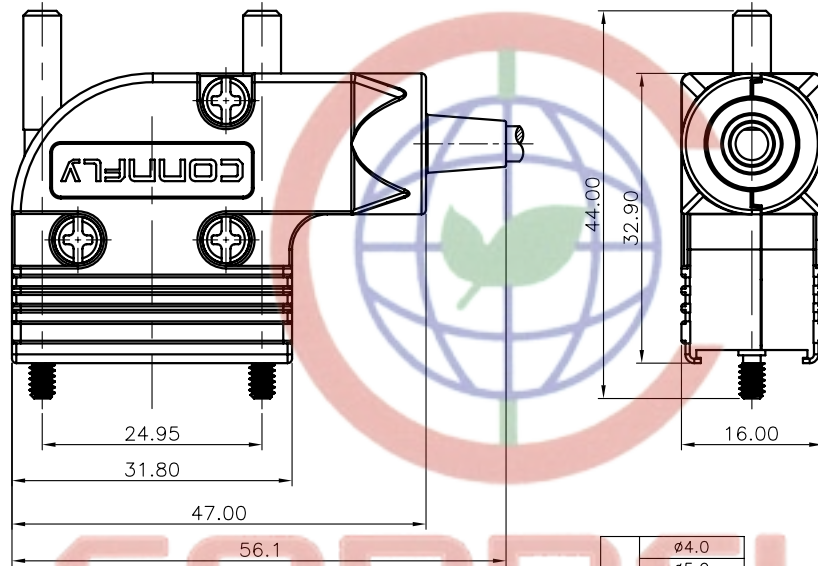
NOTES:

1. METAL HOOD MATERIAL: Znic alloy

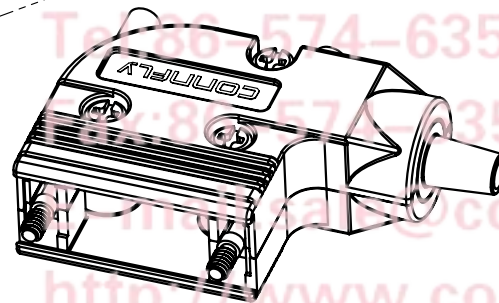
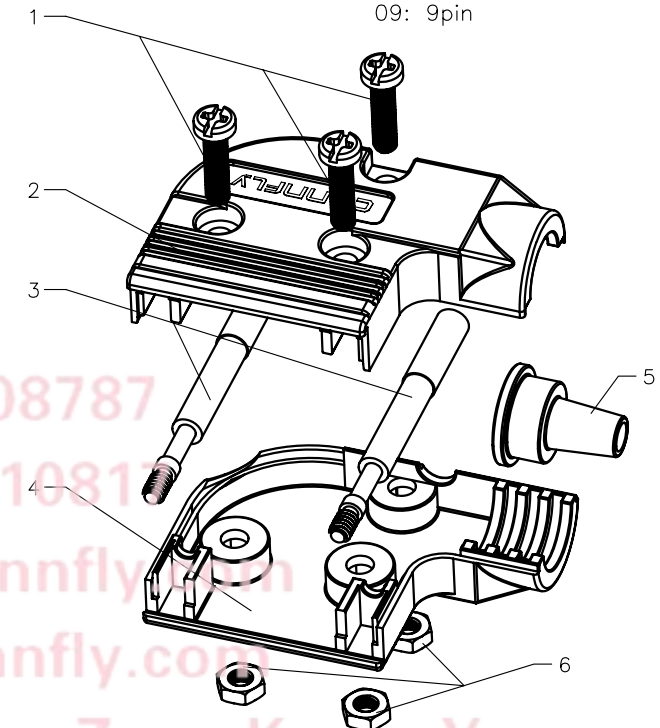
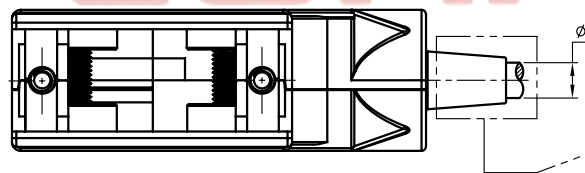
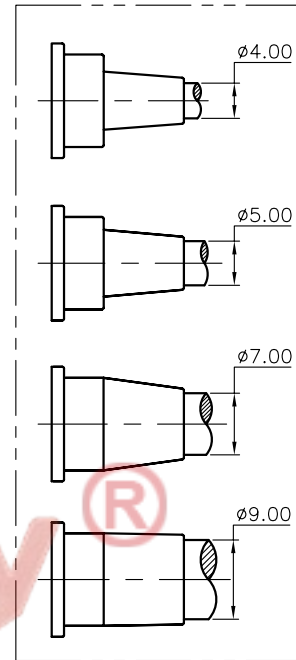
2. PART NUMBER CODE:

DS1047-01 - 09 X X - X

LOGO Support
 X: W/O LOGO
 N/A: CONNFLY LOGO
 Packing type
 1: Mix packing
 2: Separation packing
 Cover Material
 M: Metal(Znic alloy)
 Positions
 09: 9pin



øF	ø4.0
	ø5.0
	ø7.0
	ø9.0



BOM LIST			
ITEM	PART NAME	Q'ty	NOTES
1	SCREW	3	M3,Steel,Plating Nickel
2	UP METAL HOOD	1	Znic alloy,Plating Matt-Ni
3	LONG BOLT	2	UNC#4-40,Steel,Plating Nickel
4	DOWN METAL HOOD	1	Znic alloy,Plating Matt-Ni
5	SR	4	Black,TPR,UL94 V-0
6	NUT	3	M3,Steel,Plating Nickel

GENERAL TOLERANCE	ANGLE TOLERANCE	PROJECTION	TITLE	D-SUB 9pin Metal Hood
X. ±0.60	X. ±5°	UNITS	mm	90° type
.X ±0.38	X ±3°	SHEET SIZE	A4	SERIES DS1047-01 SERIES
.XX ±0.25	.XX ±2°			
DRAWING TYPE	CUSTOMER	晨翔电子有限公司 CONNFLY® CONNFLY ELECTRONIC CO., LTD		
SCALE	1:1	SHEET	1 OF 1	
DRAWING NO.	C-DS1047-01-09XX-X-B			

REV.	DESCRIPTION	DRAWN	CHECKED	APPROVED
A	NEW RELEASE	YCH 03/31/11'	~	LJC 03/31/11'
B	ADD P/N CODE	YCH 12/07/13'	~	

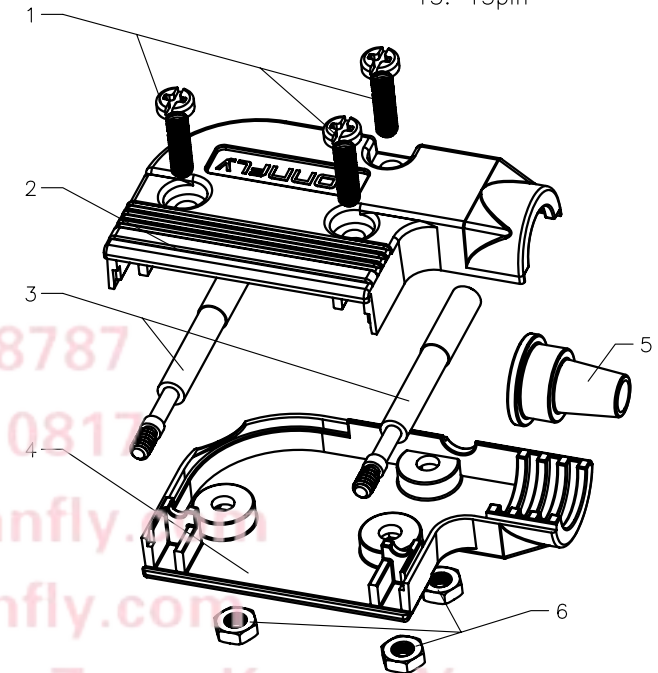
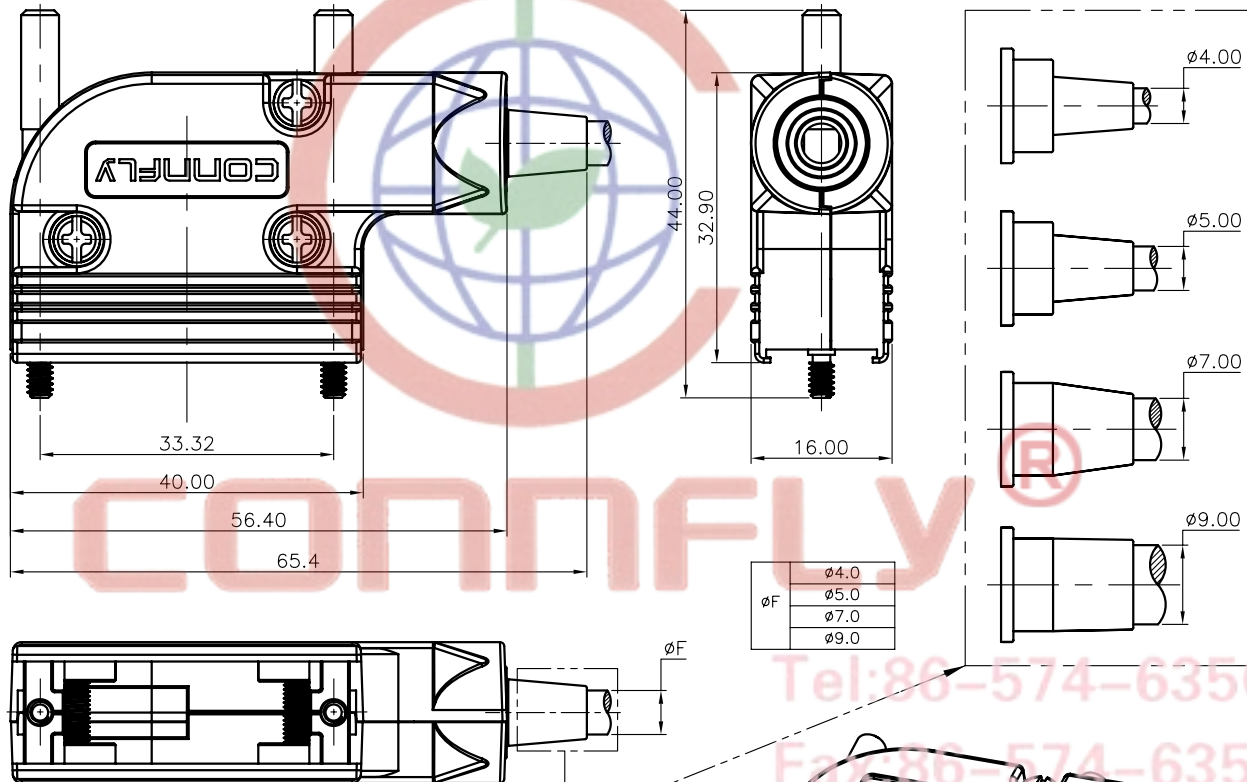
NOTES:

1. METAL HOOD MATERIAL: Zinc alloy

2. PART NUMBER CODE:

DS1047-01 - 15 X X - X

- LOGO Support
- X: W/O LOGO
- N/A: CONNFLY LOGO
- Packing type
- 1: Mix packing
- 2: Separation packing
- Cover Material
- M: Metal(Znic alloy)
- Positions
- 15: 15pin




BOM LIST

ITEM	PART NAME	Q'ty	NOTES
1	SCREW	3	M3,Steel,Plating Nickel
2	UP METAL HOOD	1	Znic alloy,Plating Matt-Ni
3	LONG BOLT	2	UNC#4-40,Steel,Plating Nicke
4	DOWN METAL HOOD	1	Znic alloy,Plating Matt-Ni
5	SR	4	Black,TPR,UL94 V-0
6	NUT	3	M3,Steel,Plating Nickel

GENERAL TOLERANCE		ANGLE TOLERANCE	
X.	± 0.60	X.	$\pm 5^\circ$
.X	± 0.38	.X	$\pm 3^\circ$
.XX	± 0.25	.XX	$\pm 2^\circ$

PROJECTION	TITLE	D-SUB 15pin Metal Hood	
UNITS	mm	90° type	
SHEET SIZE	A4	SERIES	DS1047-01 SERIES

DRAWING TYPE	CUSTOMER
SCALE	1:1
DRAWING NO.	C-DS1047-01-15XX-X-B


晨翔电子有限公司
CONNFLY® CONNFLY ELECTRONIC CO., LTD

Tel: 86-574-63508787

Fax: 86-574-63510817

Email: ds@connfly.com

http://www.connfly.com

Add: East Industry Zone KuangYan Town, Cixi, Ningbo, China

REV.	DESCRIPTION	DRAWN	CHECKED	APPROVED
A	NEW RELEASE	YCH 03/31/11'	~	LJC 03/31/11'
B	ADD P/N CODE	YCH 12/07/13'	~	

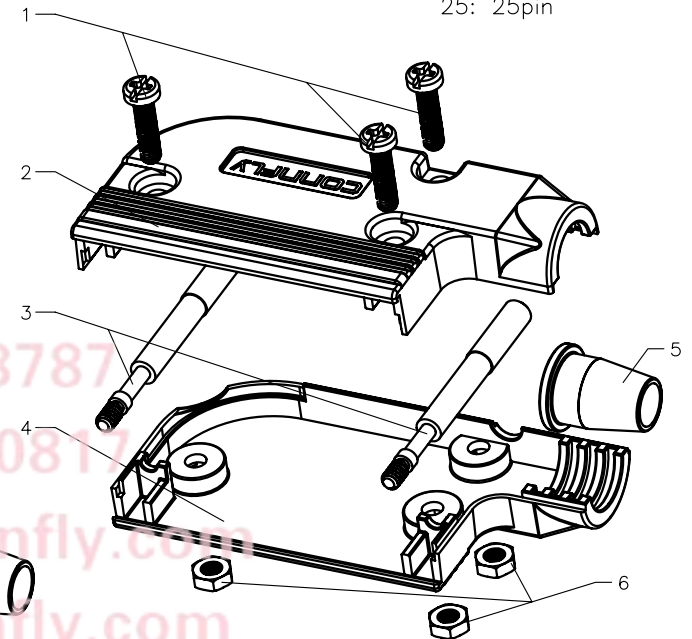
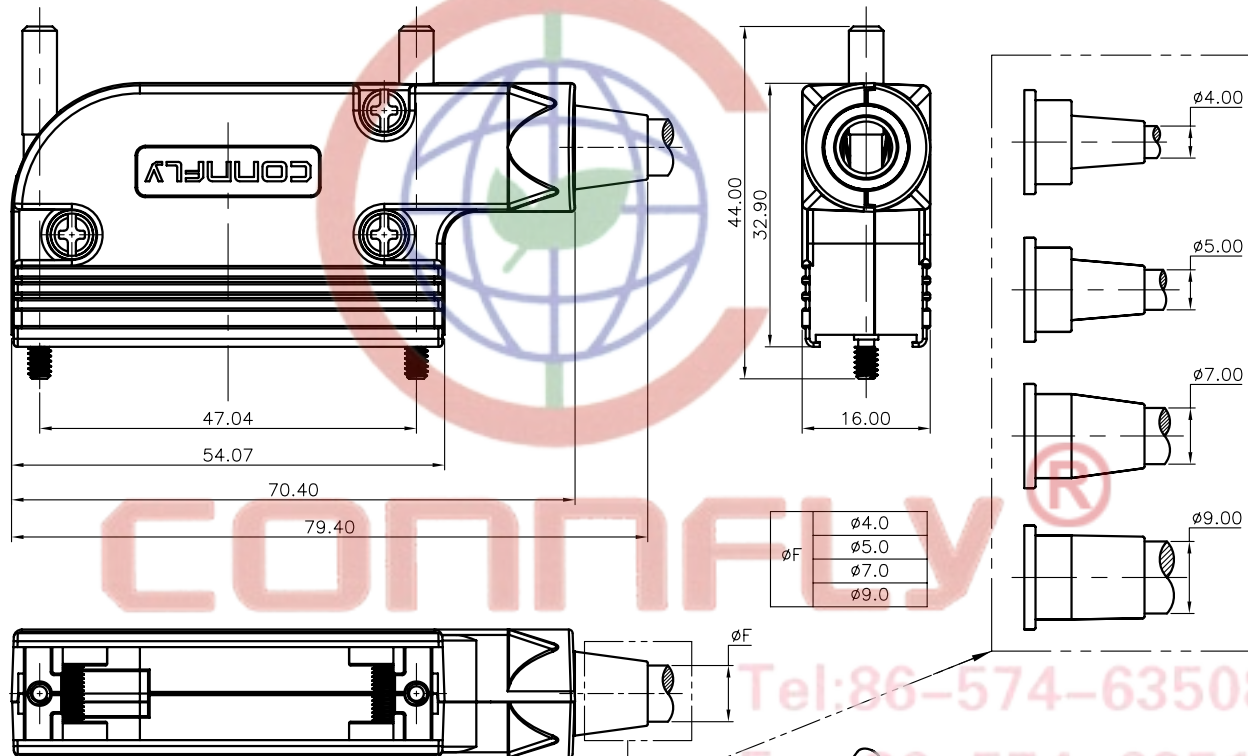
NOTES:

1. METAL HOOD MATERIAL: Zinc alloy

2. PART NUMBER CODE:

DS1047-01 - 25 X X - X

- LOGO Support
- X: W/O LOGO
- N/A: CONNFLY LOGO
- Packing type
- 1: Mix packing
- 2: Separation packing
- Cover Material
- M: Metal(Zinc alloy)
- Positions
- 25: 25pin



BOM LIST

ITEM	PART NAME	Q'ty	NOTES
1	SCREW	3	M3,Steel,Plating Nickel
2	UP METAL HOOD	1	Znic alloy,Plating Matt-Ni
3	LONG BOLT	2	UNC#4-40,Steel,Plating Nicke
4	DOWN METAL HOOD	1	Znic alloy,Plating Matt-Ni
5	SR	4	Black,TPR,UL94 V-0
6	NUT	3	M3,Steel,Plating Nickel

GENERAL TOLERANCE		ANGLE TOLERANCE		PROJECTION	TITLE
X.	± 0.60	X.	$\pm 5^\circ$		D-SUB 25pin Metal Hood
.X	± 0.38	.X	$\pm 3^\circ$	UNITS	90° type
.XX	± 0.25	.XX	$\pm 2^\circ$	SHEET SIZE	DS1047-01 SERIES
DRAWING TYPE		CUSTOMER		SERIES	
SCALE		1:1		SHEET 1 OF 1	
DRAWING NO.		C-DS1047-01-25XX-X-A			

晨翔电子有限公司
CONNFLY® CONNFLY ELECTRONIC CO., LTD

REV.	DESCRIPTION	DRAWN	CHECKED	APPROVED
A	NEW RELEASE	YCH 03/31/11'	~	LJC 03/31/11'
B	ADD P/N CODE	YCH 12/07/13'	~	

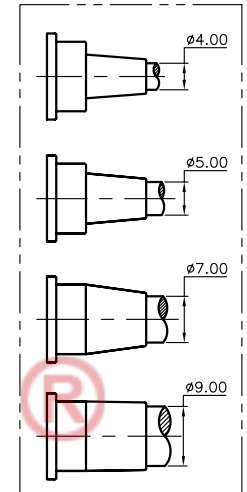
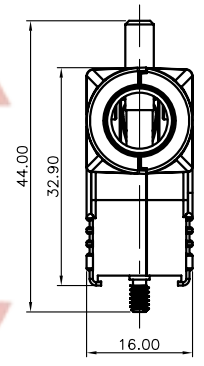
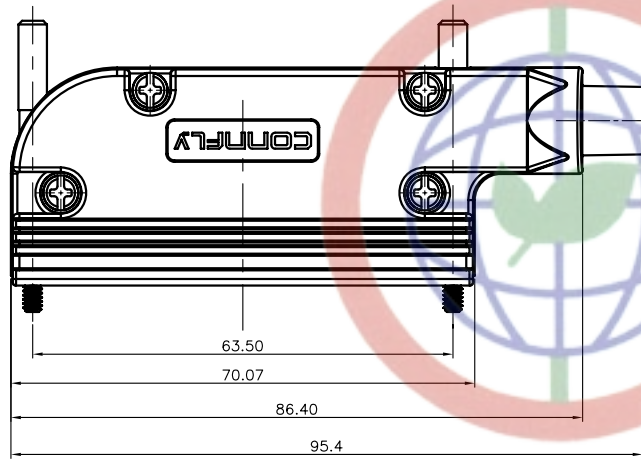
NOTES:

1. METAL HOOD MATERIAL: Znic alloy

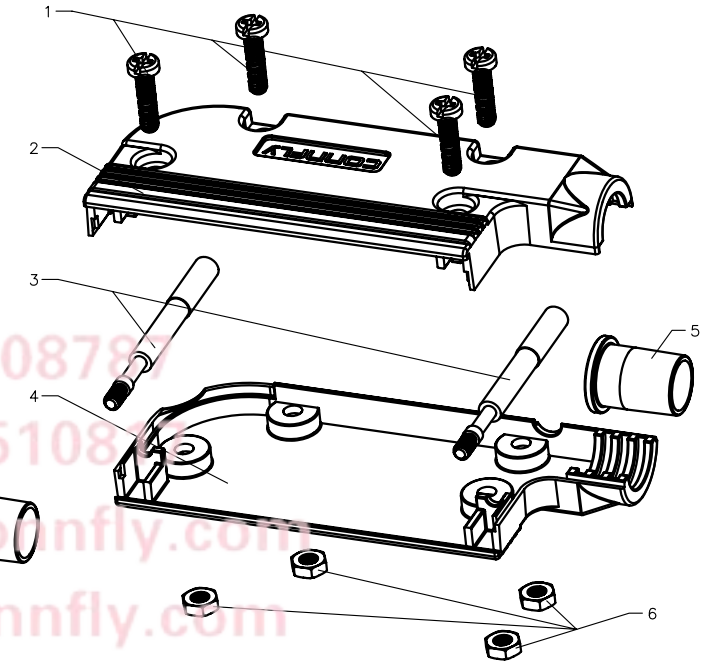
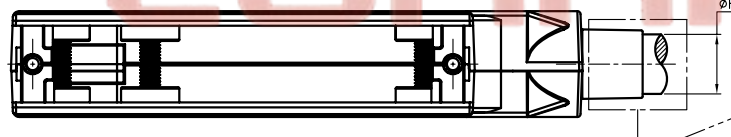
2. PART NUMBER CODE:

DS1047-01 - 37 X X - X

LOGO Support
 X: W/O LOGO
 N/A: CONNFLY LOGO
 Packing type
 1: Mix packing
 2: Separation packing
 Cover Material
 M: Metal(Znic alloy)
 Positions
 37: 37pin



ϕF	Dimension
	$\phi 4.0$
	$\phi 5.0$
	$\phi 7.0$
	$\phi 9.0$




BOM LIST			
ITEM	PART NAME	Q'ty	NOTES
1	SCREW	4	M3,Steel,Plating Nickel
2	UP METAL HOOD	1	Znic alloy,Plating Matt-Ni
3	LONG BOLT	2	UNC#4-40,Steel,Plating Nicke
4	DOWN METAL HOOD	1	Znic alloy,Plating Matt-Ni
5	SR	4	Black,TPR,UL94 V-0
6	NUT	4	M3,Steel,Plating Nickel

GENERAL TOLERANCE	ANGLE TOLERANCE
X. ± 0.60	X. $\pm 5^\circ$
.X ± 0.38	.X $\pm 3^\circ$
.XX ± 0.25	.XX $\pm 2^\circ$

PROJECTION	TITLE
UNITS: mm	D-SUB 37pin Metal Hood 90° type
SHEET SIZE: A4	SERIES: DS1047-01 SERIES

DRAWING TYPE	COSTOMER
SCALE: 1:1	SHEET: 1 OF 1
DRAWING NO.:	C-DS1047-01-37XX-X-A

 晨翔电子有限公司
CONNFLY CONNFLY ELECTRONIC CO. LTD

Tel:86-574-63508787
 Fax:86-574-63510817
 2-mail:conNFLY@conNFLY.com
 http://www.conNFLY.com
 Add:East Industry Zone KuangYan
 Town Cixilinghuo China
 P.C:315223