

Data sheet

Commercial Art.No.: 92.933.0153.0

Connector GST18i3F B2 ZR1 GR01

GST18i3 connector, 3 pole, female with spring force connection, coding UPS 250 V, 20 A, coding color pebble grey, strain relief color black



Commercial Art.No.	92.933.0153.0
EAN	4015573410534
Order Unit	1

Certificates / Approvals



Technical data

General

Rated current	20 A
Rated voltage	250 V
Rated impulse voltage	4 kV
strain relief	yes
Pollution degree	2
Mechanical coding	Code 2
Lockable	self-locking (unlocking by tool)
Color of coding/ contact carrier	pebble grey
Marking of poles	L, N, PE
Color of housing inclusive strain relief	black

Connection Data

Cable diameter max.	10.3 mm
Cable diameter min.	7.8 mm
Connection cross section solid mm ² max.	2.5 mm ²
Connection cross section solid mm ² min.	0.5 mm ²
Connection cross section fine stranded mm ² max.	1.5 mm ²
Connection cross section fine stranded mm ² min.	0.5 mm ²
Terminations per pole	2
sheath strip length	44.5 mm
Wire strip length	9 mm

Model

Model	female
Connection type	spring clamp connection
Degree of protection (IP)	IP20

Remark to type of connection	Fine stranded and stranded conductors require cable end sleeve
------------------------------	--

Material

Housing material	Polyamide
halogen free	yes
Contact material	CuZn
Fire load	0.12 kWh
Insulation components continuous temperature	100 °C
Surface finish	Tin-plated

Dimensions

Length	75 mm
Width	32.5 mm
Height	15.5 mm

Classification

ECLASS 11	
ECLASS 8.1	27440605
ETIM 7.0	EC002560
ETIM 6.0	EC002560
ETIM 5.0	EC002560
ETIM 4.0	EC002560

Product compliance

ROHS conformity status	Compliant/Exempted
ROHS exceptions	III-6(c)
REACH-SVHC conformity status	Duty-To-Declare
REACH-SVHC substances	Lead
REACH-SVHC CAS numbers	7439-92-1

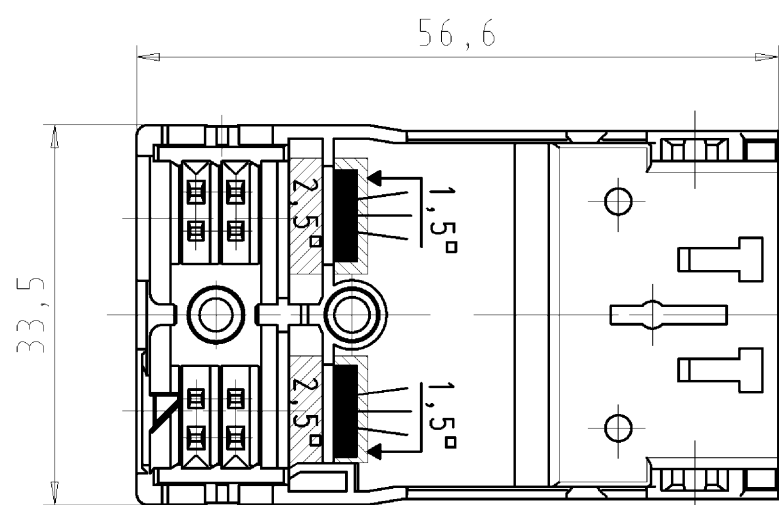
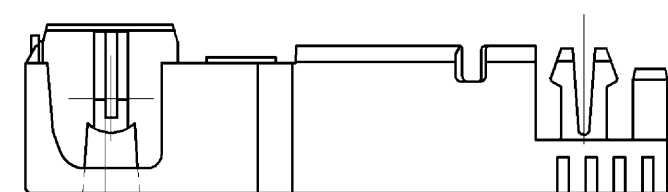
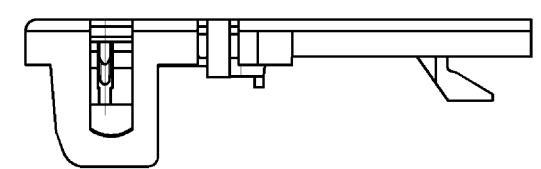
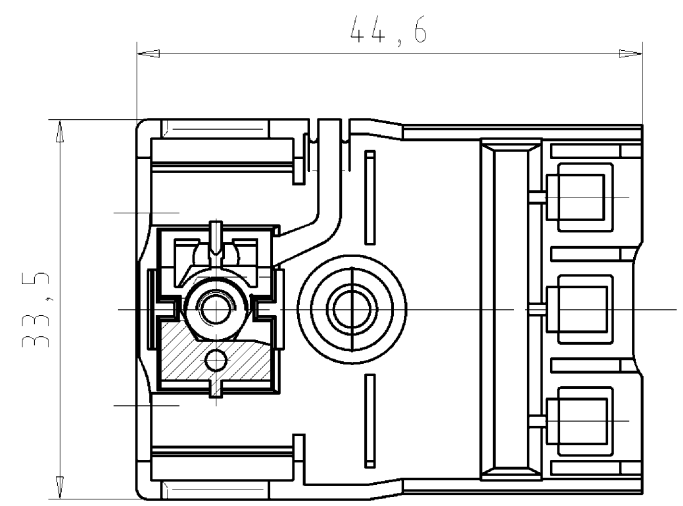
Accessories

Commercial Art.No.:	Article-type description:	Description:
05.587.3156.0	Lock (G)ST18 WS	Locking device for cable to cable connection GST18i3-5, white
06.561.7853.0	mounting frame GST18i3 SW	Mounting frame to snap in GST18i3 connectors into a housing or furniture. Wall thickness: 1,5-2,5 mm. Holds GST18i3 connectors with screw or spring connection and pre- assembled cables.
05.561.3653.0	cover cap GST18i3VS B WS	Cover piece for female GST18i3, white
05.561.3653.1	cover cap GST18i3VS B SW	Cover piece for female GST18i3, black
05.564.5353.0	cover cap GST18i3/4/5 SW	Cover piece 12 pole black for female parts GST18i3-6
05.564.5353.2	cover cap GST18i3/4/5 WS	Cover piece 12 pole white for female parts GST18i3-6
05.594.4250.0	cover cap ST18/3B + GST18i3 ST WS	
05.594.4253.0	cover cap ST18/3B + GST18i3 ST WS	
05.587.3156.1	Lock (G)ST18 SW	Locking device for cable to cable connection GST18i3-5, black

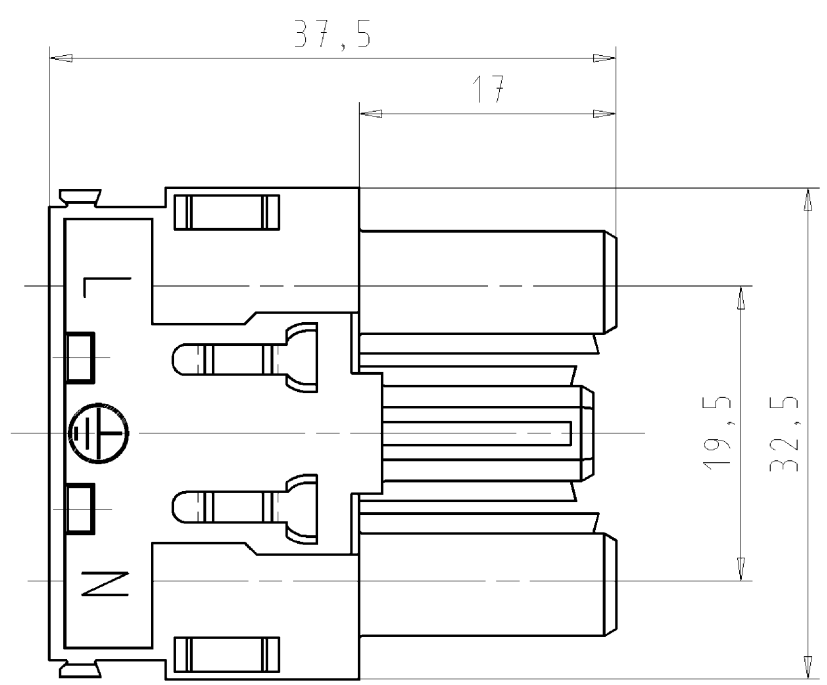
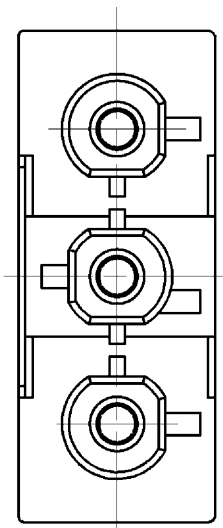
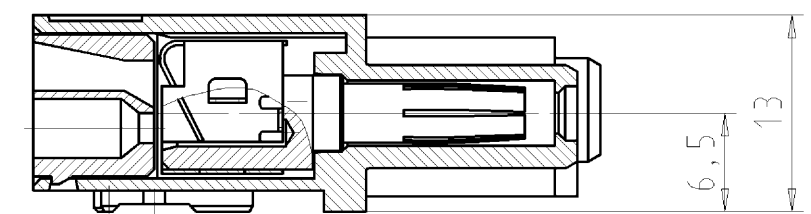
Fits with

Commercial Art.No.:	Article-type description:	Description:
92.034.0058.0	Device connector GST18i3L S1H WS	GST18i3 PCB mount with additional mounting option, 3 pole, male (horizontal), coding mains 250 V, 20 A, coding color white

92.034.0158.0	Device connector GST18i3L S1H GR01	GST18i3 PCB mount with additional mounting option, 3 pole, male (horizontal), coding UPS 250 V, 20 A, coding color pebble grey
92.034.0658.0	Device connector GST18i3L S1H BR05	GST18i3 PCB mount with additional mounting option, 3 pole, male (horizontal), coding switching function 250 V, 20 A, coding color brown
92.232.1000.3	Cable assembly GST18i3K1BS 15 10GR01	GST18i3 connection cable female - male, length 1.0 m, 3 pole, coding UPS 250 V, 16 A, coding color pebble grey, strain relief color black, cable color black, cross section 1.5 mm ² , cable type H05VV-F, fire class: Eca
92.232.1003.3	Cable assembly GST18i3K1B- 15 10GR01	GST18i3 extension cable female - free end, length 1.0 m, 3 pole, coding UPS 250 V, 16 A, coding color pebble grey, strain relief color black, cable color black, cross section 1.5 mm ² , cable type H05VV-F, fire class: Eca
92.297.1003.0	Cable assembly GST18i3KSB- 15 10TR01	GST18i3 extension cable female - free end, length 1.0 m, 3 pole, coding UPS 250 V, 16 A, coding color tomato red, strain relief color black, cable color black, cross section 1.5 mm ² , cable type H05VV-F, fire class: Eca
92.232.1004.3	Cable assembly GST18i3K1-S 15 10GR01	GST18i3 extension cable male - free end, length 1.0 m, 3 pole, coding UPS 250 V, 16 A, coding color pebble grey, strain relief color black, cable color black, cross section 1.5 mm ² , cable type H05VV-F, fire class: Ec
92.034.0358.0	Device connector GST18i3L S1H GN07	geisis® device connector, PCB mount, GST18i3, 3 pole, horizontal, male, 250 V, 20 A, colour of coding: may green
92.034.0558.0	Device connector GST18i3L S1H TB06	GST18i3 PCB mount with additional mounting option, 3 pole, male (horizontal), coding mains 250 V, 20 A, coding color turquoise blue
92.034.0458.0	Device connector GST18i3L S1H PB04	GST18i3 PCB mount with additional mounting option, 3 pole, male (horizontal), coding not SELV, 20 A, coding color pastel blue
92.934.0153.0	Connector GST18i3F S2 ZR1 GR01	GST18i3 connector, 3 pole, male with spring force connection, coding UPS 250 V, 20 A, coding color pebble grey, strain relief color black



Weitere Daten siehe Katalog
further data see catalog



Teilenummer part number	Farbe colour	Typ type
92.933.0153.0	grau grey	GST1813F B2 ZR1 GR01
92.933.0153.5	tomatenrot brilliant red	GST1813F B2 ZR1 TR01

Tolerierung nach DIN 7167/Tolerance system acc. to DIN 7167. (This DIN-standard describes the envelope principle. According to the envelope principle the deviations of form and parallelism are limited by the size tolerances).		ja/yes <input checked="" type="checkbox"/> Stoffverbots- und Deklarationsliste nach UU-TOM-05/03 ist einzuhalten. Conformity with Wieland document UU-TOM-05/03 (list of prohibited / declarable hazardous substances) to be declared!	
Freitoleranz nach General tolerance	CAD - Zeichnung, keine manuellen Änderungen CAD - drawing, no manual modifications allowed	1. Verwendung: First Use:	Blatt: 1 von 1 Sheet: of 1
	Werkstoff/Material	2009 Tag/Date	Name
		gezeichnet drawn	23.02. Dvetsch T.
	Maßstab/Scale	geprüft checked	
	2:1	Normgepr. Stand. check	
	Vol. mm ³ Ofl./Surf. mm ²	Ersatz für/Replacement for: -	
		Type	Benennung/Titel
			FEMALE CONNECTOR WITH STRAIN RELIEF BUCHSENTEIL MIT ZUGENTLASTUNG m. Federkraftanschluß/with spring clamp connection 16A 250V AC 2,5qmm
a	03.05.2013/	wieland	
Index	Datum / Blatt Date / Sheet	Elektrische Verbindungen	
Änderung/Revision			

Weitergabe sowie Vervielfältigung dieses Dokuments, Verwertung und Mitteilung seines Inhalts sind verboten, soweit nicht ausdrücklich gestattet.
The reproduction, distribution and utilization of this document as well as the communication of its contents to others without express authorization is prohibited.

929330153001K_2_CADW3025 Filter 2013-05-06T14:29:35 1.000