



color: black  
pitch: 11 mm  
certification: CE, CQC

**1. Material:**

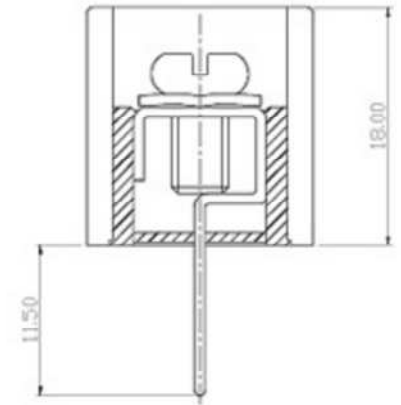
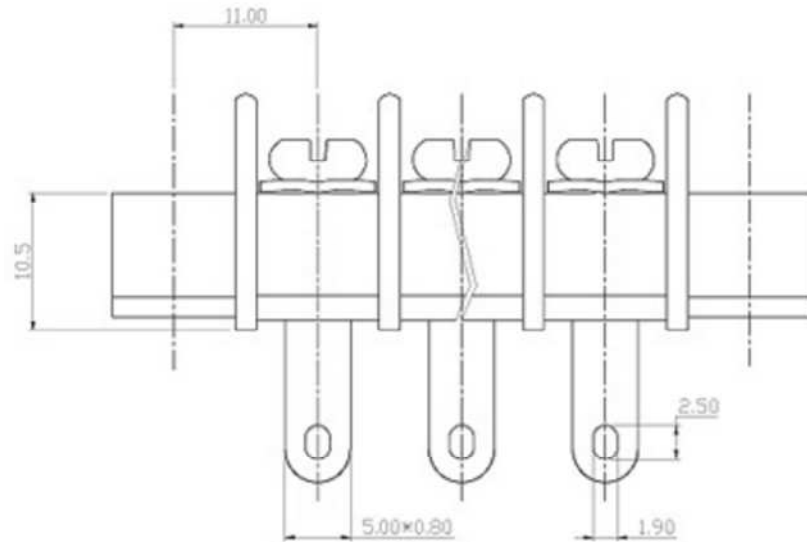
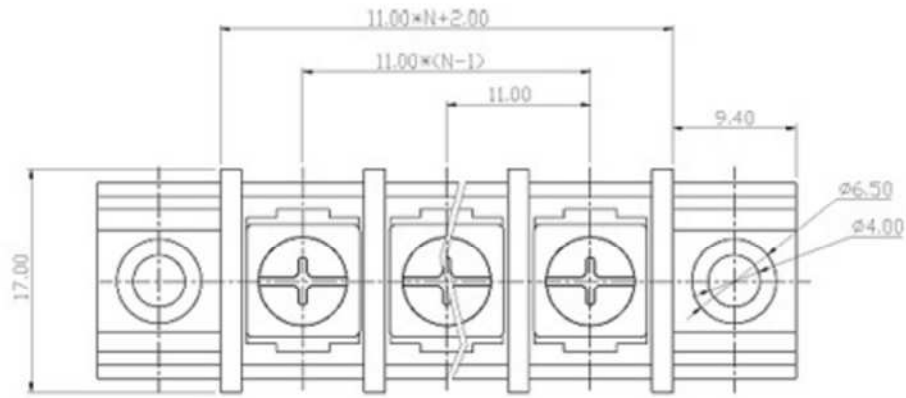
- Terminal Brass 0.8t, Tin-Plated
- Housing : PA66, UL94V-0
- Screw: Steel, M3 Ni-Plated

**2. Electrical:**

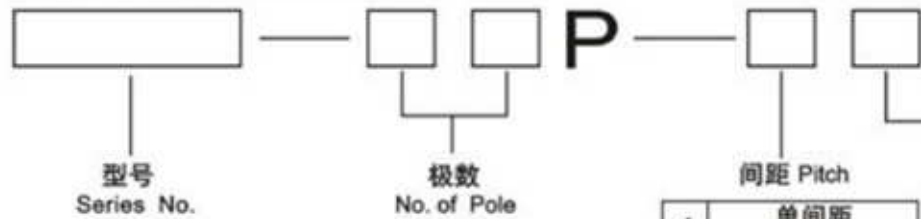
- Rated voltage : 300V
- Rated current : 25A
- Insulation resistance: 500MΩ/DC500V
- Withstanding voltage: AC2000V/1Min

**3. Mechanical:**

- Temp. range: -40°C... +105°C
- Wire range: 22 – 14 AWG
- Max. Torque value: 0.5N.m 4.4LB.in



**HOW TO ORDER**



1	单间距
	Single pitch
2	双间距
	Double pitch

1	灰色	Grey
2	蓝色	Blue
3	黑色	Black
4	绿色	Green