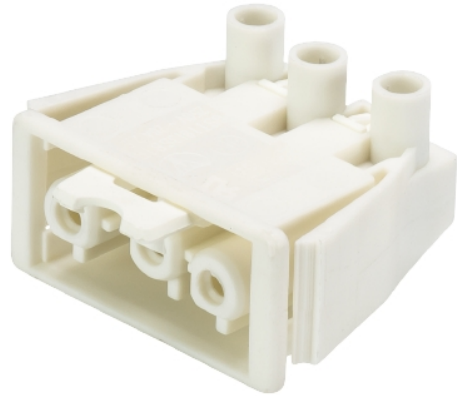


Data sheet

Commercial Art.No.: 92.031.8758.0

Device connector GST18I3S B1 R V WS

Device connectors, snap-in panel mount, GST18I3, 3 pole, female, screw connection, 250 V, 20 A, material thickness 0,5 - 1,5 mm, colour of coding: white



Commercial Art.No.	92.031.8758.0
EAN	4015573455559
Order Unit	1

Certificates / Approvals



Technical data

General

Rated current	20 A
Rated voltage	250 V
Pollution degree	2
Mechanical coding	Code 1
Rated impulse voltage	4 kV
Lockable	self-locking (unlocking by tool)
Color of coding/ contact carrier	white
Marking of poles	L, N, PE

Connection Data

Connection cross section solid mm ² max.	4 mm ²
Connection cross section solid mm ² min.	0.75 mm ²
Connection cross section fine stranded mm ² max.	4 mm ²
Connection cross section fine stranded mm ² min.	0.75 mm ²
Terminations per pole	1
Wire strip length	9 mm

Model

Model	female
Connection type	screw connection
Angle of plug	straight
Degree of protection (IP)	IP20
Remark to type of connection	Fine stranded wires 4 mm ² only without ferrules

Thickness of housings (electrical device) 2	0.5 mm
Thickness of housings (electrical device)	1.5 mm
built-in component	snap-in

Material

Housing material	Polyamide
halogen free	yes
Contact material	CuZn
Fire load	0.05 kWh
Insulation components continuous temperature	100 °C
Surface finish	Tin-plated

Dimensions

Length	30.3 mm
Width	32.8 mm
Height	21 mm

Classification

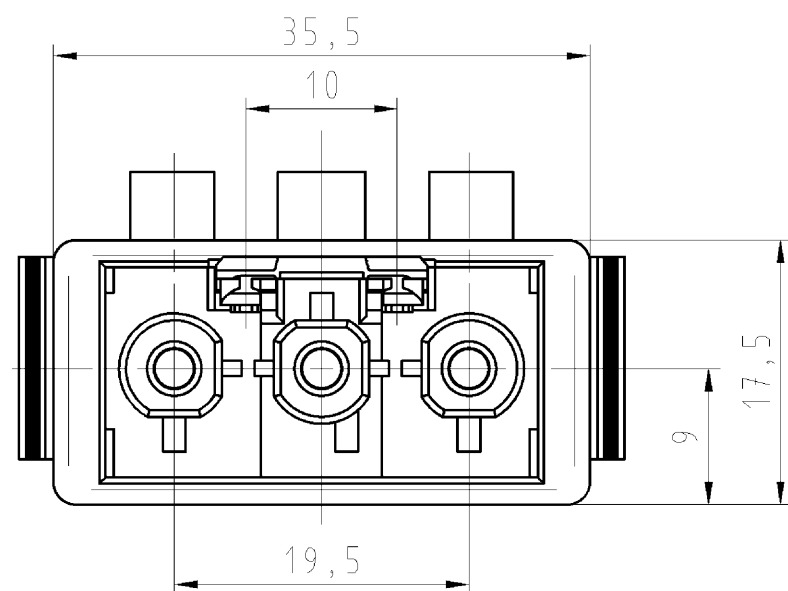
ECLASS 11	
ECLASS 8.1	27440602
ETIM 7.0	EC002566
ETIM 6.0	EC002566
ETIM 5.0	EC002566
ETIM 4.0	EC002566

Product compliance

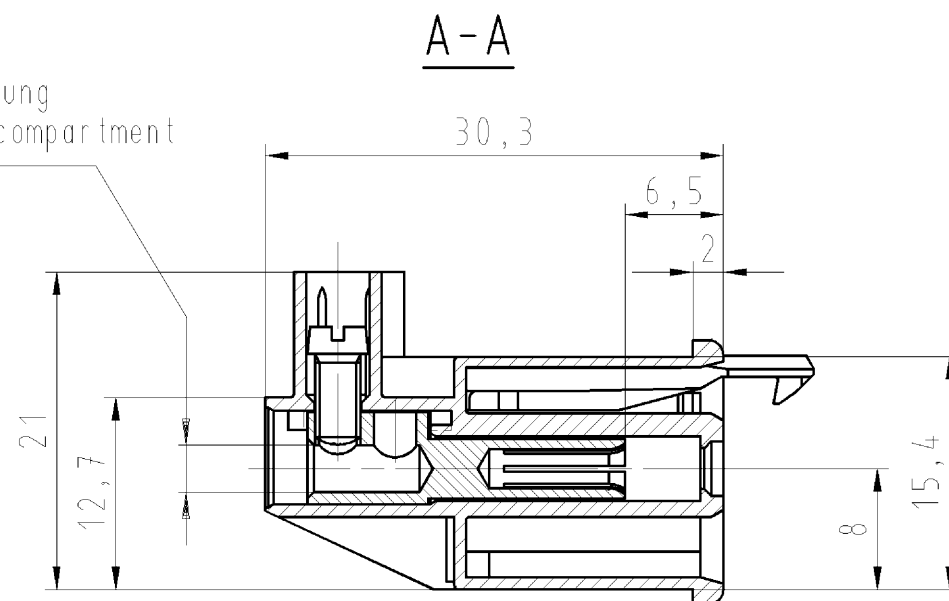
ROHS conformity status	Compliant/Exempted
ROHS exceptions	III-6(c)
REACH-SVHC conformity status	Duty-To-Declare
REACH-SVHC substances	Lead
REACH-SVHC CAS numbers	7439-92-1

Accessories

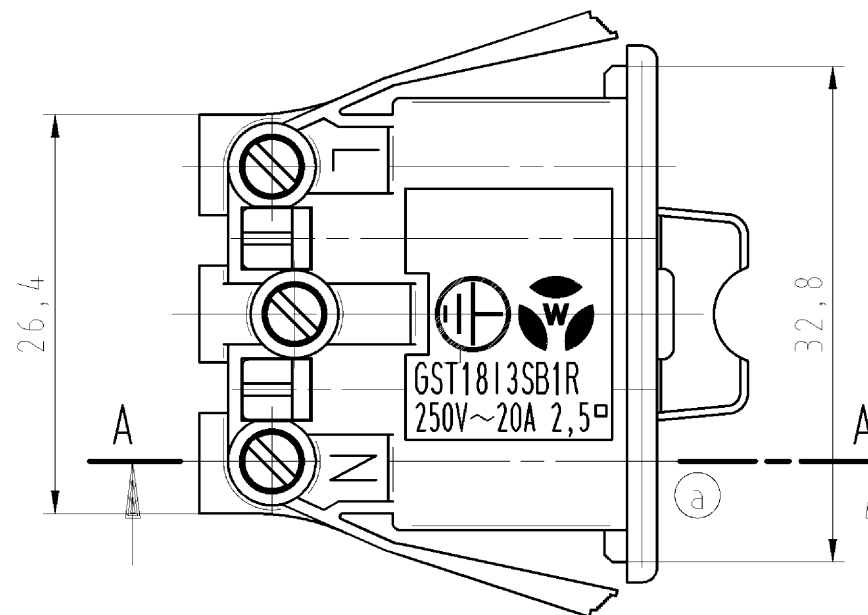
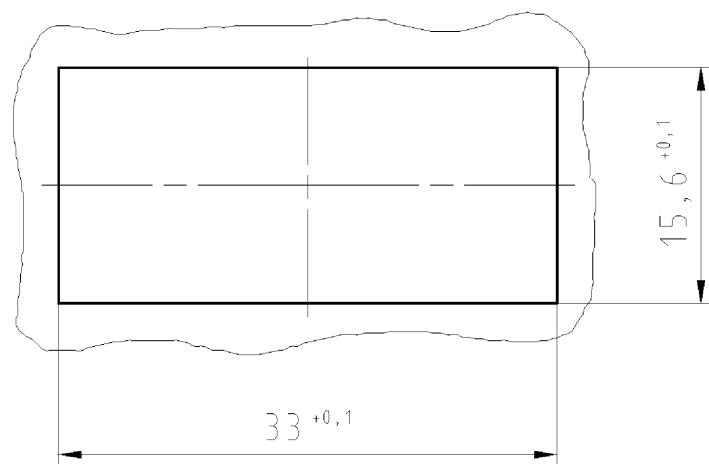
Commercial Art.No.:	Article-type description:	Description:
05.595.1453.0	Lock (G)ST18V SW	Locking device for snap-in panel mount GST18i3-5, retrofit part, black
05.595.1453.2	Lock (G)ST18V WS	Locking device for snap-in panel mount GST18i3-5, retrofit part, white
05.561.3653.0	cover cap GST18i3VS B WS	Cover piece for female GST18i3, white
05.561.3653.1	cover cap GST18i3VS B SW	Cover piece for female GST18i3, black
05.564.5353.0	cover cap GST18i3/4/5 SW	Cover piece 12 pole black for female parts GST18i3-6
05.564.5353.2	cover cap GST18i3/4/5 WS	Cover piece 12 pole white for female parts GST18i3-6
05.594.4250.0	cover cap ST18/3B + GST18i3 ST WS	
05.594.4253.0	cover cap ST18/3B + GST18i3 ST WS	
07.425.8753.0	Cover GST18i3 WS	Cover to close unused openings for GST18i3 panel mounts. Cover: white
07.425.8753.1	Cover GST18i3 SW	Cover to close unused openings for GST18i3 panel mounts. Cover: black



Klemmraumöffnung
opening in terminal compartment
Ø 3,1



Blechausschnitt / sheet cutout
t = 0,5-1,5 mm



Weitere Daten siehe Katalog
further data see catalog

Teile-Nr. part number	Farbe colour	Typ type
92.031.8758.0	weiß/white	GST1813SB1 R V WS
92.031.8758.1	schwarz/black	GST1813SB1 R V SW

Tolerierung nach DIN 7167/Tolerance system acc. to DIN 7167. (This DIN-standard describes the envelope principle. According to the envelope principle the deviations of form and parallelism are limited by the size tolerances).				ja/yes <input checked="" type="checkbox"/> Stoffverbots- und Deklarationsliste nach UU-TOM-05/03 ist einzuhalten. Conformity with Wieland document UU-TOM-05/03 (list of prohibited / declarable hazardous substances) to be declared!			
Freitoleranz nach General tolerance		CAD - Zeichnung, keine manuellen Änderungen CAD - drawing, no manual modifications allowed		1. Verwendung: - First Use:		Blatt: 1 von 1 Sheet: of 1	
/		Werkstoff/Material		2007	Tag/Date	Name	
/		Maßstab/Scale		gezeichnet drawn	23.05.	Schmitt J.	
/		2:1		geprüft checked	-	T	
/		Vol. mm³ Ofl./Surf. mm²		Normgepr. Stand. check	-	92.031.8758.0 01K a	
/		Ersatz für/Replacement for: -		Maße in mm/Dimensions are in mm			
/		wieland		Type		Benennung/Tittle	
a 07.02.2013/ Index Datum / Blatt Date / Sheet		Elektrische Verbindungen		BUCHSENTEIL		schraubbar, Snap in / screw connection	
Änderung/Revision						a 250V AC 20A 2,5qmm	

Weitergabe sowie Vervielfältigung dieses Dokuments, Verwertung und Mitteilung seines Inhalts sind verboten, soweit nicht ausdrücklich gestattet. Die Reproduktion, Distribution und Nutzung dieses Dokuments, sowie die Kommunikation der Inhalte mit Dritten ohne schriftliche Genehmigung ist untersagt.

920318758001K_2 CADW5027 Duesch 2013-02-20T11:08:36 1.000