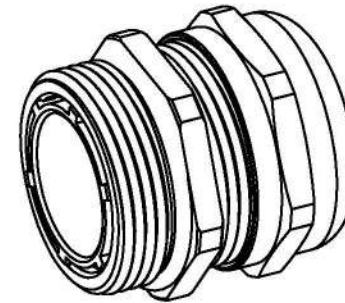
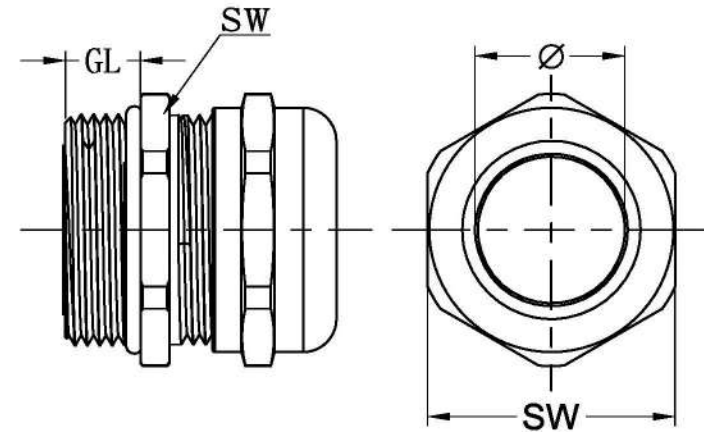




Metric	PG	Claping range(\emptyset)	SW	GL	Type
	Pg7	3-6.5	14	6.5	DDL-PG7M
	Pg9	4-8	17	7	DDL-PG9M
	Pg11	5-10	20	8	DDL-PG11M
	Pg13.5	6-12	22	8	DDL-PG13.5M
	Pg16	8-14	24	8	DDL-PG16M
	Pg21	13-18	30	8	DDL-PG21M
	Pg29	18-25	40	9	DDL-PG29M
	Pg36	22-32	50	10	DDL-PG36M
	Pg42	31-38	58	10	DDL-PG42M
	Pg48	37-44	64	12	DDL-PG48M
M12x1.5		3-6.5	14	6.5	DDL-M12M
M16x1.5		5-10	18	7	DDL-M16M
M20x1.5		6-12	22	8	DDL-M20M
M25x1.5		13-18	30	8	DDL-M25M
M32x1.5		18-25	40	9	DDL-M32M
M40x1.5		22-32	50	10	DDL-M40M
M50x1.5		30-38	58	10	DDL-M50M
M63x1.5		37-44	68	12	DDL-M63M

Metal Cable gland
 Material:Brass nickel plated
 Seal Material:NBR
 Degree of protection:IP68
 Press seal material:PA
 Temperature range:-40~100°C

REVISION RECORD

REV	ECN	DESCRIPTION	DRFT	DATE



DETACHED LISTS	PART NO.:	/			 宁波高松电子有限公司 NINGBO DEGSON ELECTRICAL CO., LTD	
	APPD:					NAME:
	CHKD:				DRFT:	Mr. Yang2016.08.18
	DRFT:	Mr. Yang2016.08.18			TITLE:	CUSTOMER DRAWING
	 THIRD ANGLE PROJECTION		DRAWING NO.:		REV	D0-1
			MM (INCH)	DO NOT SCALE DRAWING	SHEET	1/1
					SCALE	