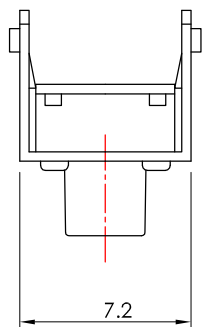
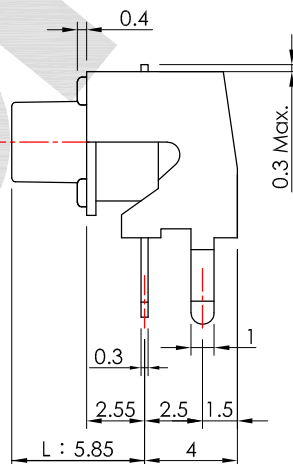
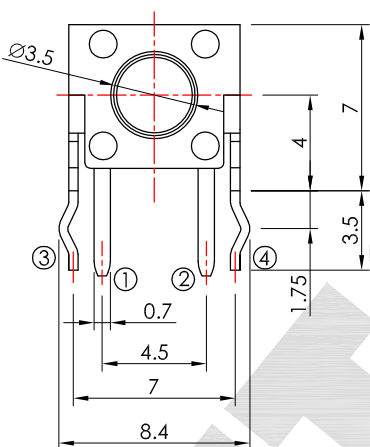
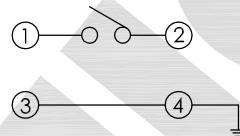


本圖面若與目錄之規格尺寸不符，以本圖面規格尺寸為主。  
Below is our main specification if different from catalog.

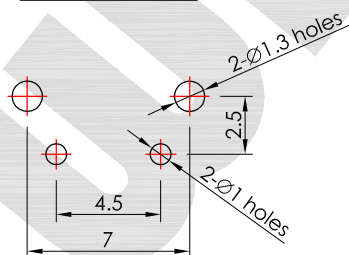
RoHS compliant



CIRCUIT DIAGRAM



P.C.B. LAYOUT



OPERATING FORCE	RoHS compliant
130、160、250、320	

07XXHIM-XXXG-G

MODEL NO.	L
70	5.85
80	6.85
95	8.35

**SPECIFICATION**

- Rating: 50mA 12V DC Max.
- Function: OFF-(ON).
- Travel: 0.25±0.1mm.
- Contact resistance: 100mΩ Max.(initial)
- Operating force: 130±50g.
- Minimum load: 10mA 3.3V DC.(reference only)
- Operating life: 100,000 Cycles Min.
- Soldering temperature: 250°C Max. for 3 sec.
- Soldering time: 1 time only.
- Note: Unwashable, don't be immersed by epoxy and organic solvent.



CV3.1	△		
CV3.0	無	新繪製	2011.11.08
版本 VER.	符號 SYMBOL	修改內容 ALTERATION	更新日期 DATE

產品 PRODUCT		Tact Switch		型號 MODEL NO.		0770HIM-130G-G	
比例 SCALE	3:1	單位 UNIT	mm	<p>一綺電子企業股份有限公司 總公司：110 台北市信義路四段415號13樓之3 13F-3 NO. 415, SEC. 4, HSIN YI ROAD, TAIPEI, TAIWAN TEL: 886-2-27290229(Rep.) FAX: 886-2-27582086 URL: http://www.switronic.com.tw E-MAIL: switches@ms36.hinet.net</p>			
公差 TOLERANCE	.X=±0.3mm, .XX=±0.2mm						
製圖 DRAWN BY	核圖 CHECKED BY	主管 APPROVED BY					
Ryan Chung	Nail Chen	Margaret Lee					