



Constant Current Driver

Model: RC6WYYY
RC10WYYY



Model	Output Current	Input Current	Input Power	Output Power Range	PF	Efficiency	Output Voltage	No load Voltage
RC6W150	150mA	0.05A	9W	4.05-6W	0.9	82%	27-40V	55V
RC6W200	200mA	0.05A	9W	3.8-6W	0.9	82%	19-30V	45V
RC6W250	250mA	0.05A	7W	3.25-5.25W	0.9	81%	13-21V	35V
RC6W300	300mA	0.05A	9W	3.9-6.3W	0.9	83%	13-21V	35V
RC6W350	350mA	0.05A	10W	4.55-7.35W	0.9	81%	13-21V	35V
RC6W400	400mA	0.05A	7W	3.2-5.2W	0.9	80%	8-13V	25V
RC6W450	450mA	0.05A	8W	3.6-5.85W	0.9	80%	8-13V	25V
RC6W500	500mA	0.05A	9W	4-6.5W	0.9	81%	8-13V	25V
RC10W200	200mA	0.07A	11W	5.4-8W	0.9	82%	27-40V	55V
RC10W250	250mA	0.07A	13W	6.75-10W	0.9	82%	27-40V	55V
RC10W300	300mA	0.07A	12W	5.7-9W	0.9	82%	19-30V	45V
RC10W350	350mA	0.07A	13W	6.65-10.15W	0.9	82%	19-29V	45V
RC10W400	400mA	0.07A	11W	5.2-8.4W	0.9	82%	13-21V	35V
RC10W450	450mA	0.07A	12W	5.85-9.45W	0.9	82%	13-21V	35V
RC10W500	500mA	0.07A	14W	6.5-10.5W	0.9	82%	13-21V	35V
RC10W600	600mA	0.07A	10W	4.8-7.8W	0.9	82%	8-13V	25V
RC10W650	650mA	0.07A	11W	5.2-8.45W	0.9	82%	8-13V	25V
RC10W700	700mA	0.07A	12W	5.6-9.1W	0.9	82%	8-13V	25V

* Test result @230V, 50Hz, Full Load.

1. Parameters

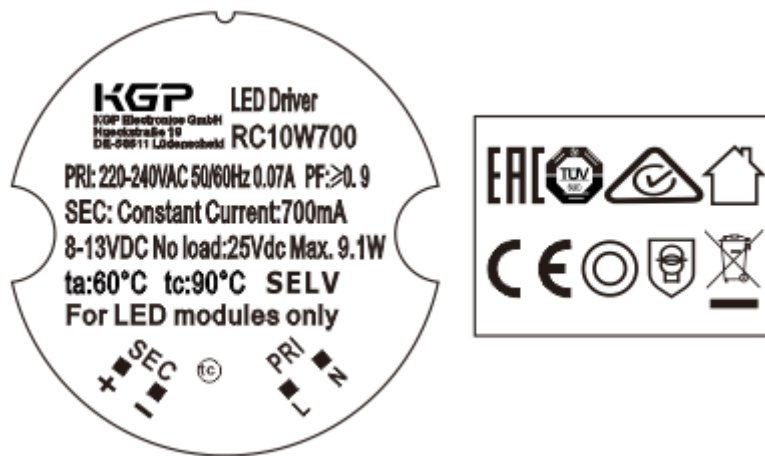
category	Item	Technical Norm
Features	Output Type	Constant Current
	IP Grade	IP44
	Insulation Class	Class II
Input	Rated Input Voltage	220-240VAC
	Range of Input Voltage	198-264VAC
	Frequency	50/60Hz
	Input Current	≤0.07A (198VAC, full load)
	Input Power	≤ 13.5W (230VAC, full load)

	Power Factor	≥0.9 (230VAC, full load)
	THD	≤15% (230VAC, full load)
	No-load Power Consumption	≤0.5W @230VAC
	Inrush Current	≤5A/350us (230VAC, Full-load)
	Connected quantity of 16A Breaker	30pcs/type B ; 48pcs/type C @ 230Vac
Output	Current Accuracy	±8%(150mA) ±7.5%(250mA) ±6%(250mA,300mA,350mA) ±5%(400mA,450mA,500mA,600mA, 650mA,700mA)
	Max. Output Power	10.5W
	Started Delay Time	≤0.5S (230VAC, full load)
	Current Ripple	±5% (Imax-Imin) / (Imax+Imin)
Protection	Short Circuit Protection	Auto Recovery
	Overload Protection	Auto Recovery
	No-load Protection	Auto Recovery
	Insulation voltage	I/P to O/P , 3KVac/1min
	Insulation resistance	>100M ohm @ 500VDC
	Leakage current	I/P to O/P < 250 μ A
Environment	Ta/Operation Temperature	-20....+60℃
	Ts/Storage Temperature	-25....+85℃
	Tc/Enclosure Temperature	90 ℃
	Humidity	10%....90%RH
	Atmosphere	86-108KPa
Construction	Connection Method	Direct Lead
	Installation	Build-in
	PRI Wire preparation	0.5-1.5 [□]
	SEC Wire preparation	0.5-1.5 [□]
	Dimension	Φ42.3*20.2mm (R*H)
Standards	Certification	TUV、CE、 SAA
	Safety Standards	EN61347-1:2015,EN61347-2-13:2014/A1:2017,E N62493:2015, AS/NZS IEC61347.2.13:2013, AS/NZS 61347.1:2016
	EMC Standards	EN55015:2013/A1:2015,EN61000-3-2:2014,EN61 000-3-3:2013,EN61547:2009
	Performance	EN62384
	Surge	L-N/2KV
Others	RoHS	complied to 2011/65/EU
	Life Time	50,000h @50℃ (Ta) / @90℃ (Tc)
	Warranty	5years , F.R. < 10000ppm

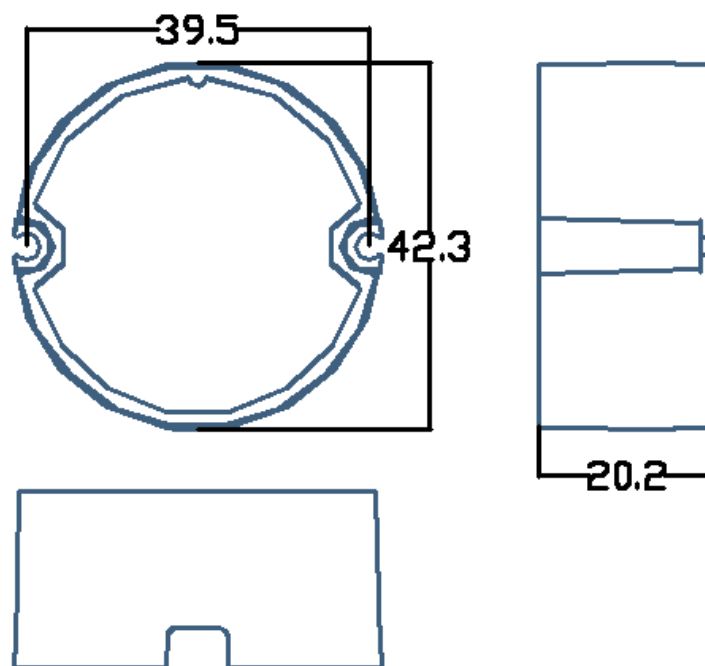
Remark: 1.All Parameters, if not specified, are measured at 230VAC/50Hz and 25℃ ambient temperature.
2.LED Driver is a component of the luminaires, Luminaires and wire layout will affect the EMC, please check

the EMC with end products again.

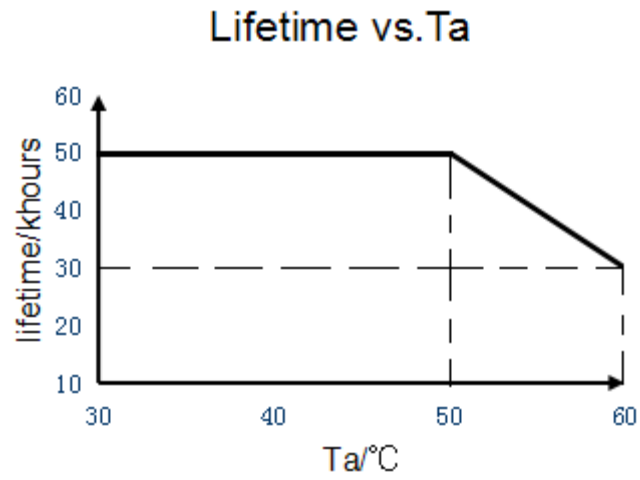
2. Label (For example)



3. Dimension (Unit: mm)



4. Lifetime VS. Ta



5. Packing information

Carton L*W*H(mm)	Pcs/Carton	Net weight/ Pcs(kg)	Net weight/ Carton(kg)	Gross weight / Carton(kg)
450*240*200	250	0.051	12.75	13.5

6. Wiring Diagram

