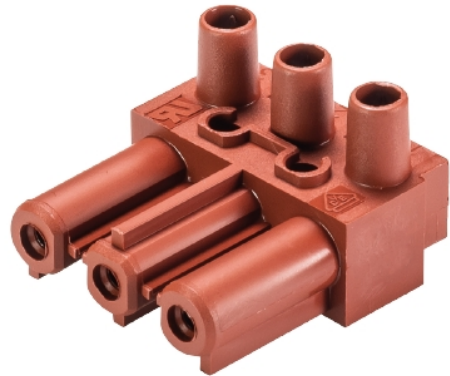


Data sheet

Commercial Art.No.: 92.031.3858.0

Device connector GST18i3S B1 BR05

GST18i3 built-in component, 3 pole, female with screw connection, coding switching function 250 V, 20 A, coding color brown



Commercial Art.No.	92.031.3858.0
EAN	4015573613430
Order Unit	1

Certificates / Approvals



Technical data

General

Rated current	20 A
Rated voltage	250 V
Pollution degree	2
Mechanical coding	Code 4
Rated impulse voltage	4 kV
Lockable	self-locking (unlocking by tool)
Color of coding/ contact carrier	brown
Marking of poles	1, 2, 3

Connection Data

Connection cross section solid mm ² max.	4 mm ²
Connection cross section solid mm ² min.	0.75 mm ²
Connection cross section fine stranded mm ² max.	4 mm ²
Connection cross section fine stranded mm ² min.	0.75 mm ²
Terminations per pole	1
Wire strip length	7 mm

Model

Model	female
Connection type	screw connection
Angle of plug	straight
Degree of protection (IP)	IP20
Remark to type of connection	Fine stranded wires 4 mm ² only without ferrules
built-in component	Built-in component/connector

Material

Housing material	Polyamide
halogen free	yes
Contact material	CuZn
Fire load	0.038 kWh
Insulation components continuous temperature	100 °C
Surface finish	Tin-plated

Dimensions

Length	31.5 mm
Width	28.2 mm
Height	19.5 mm

Classification

ECLASS 11	
ECLASS 8.1	27440602
ETIM 7.0	EC002566
ETIM 6.0	EC002566
ETIM 5.0	EC002566
ETIM 4.0	EC002566

Product compliance

ROHS conformity status	Compliant/Exempted
ROHS exceptions	III-6(c)
REACH-SVHC conformity status	Duty-To-Declare
REACH-SVHC substances	Lead
REACH-SVHC CAS numbers	7439-92-1

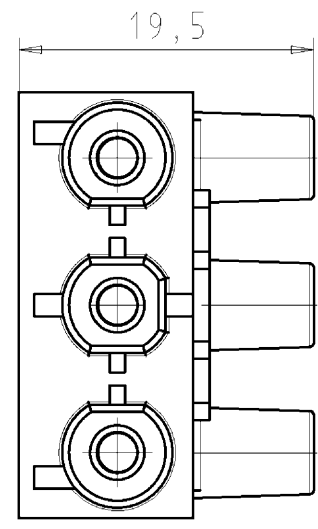
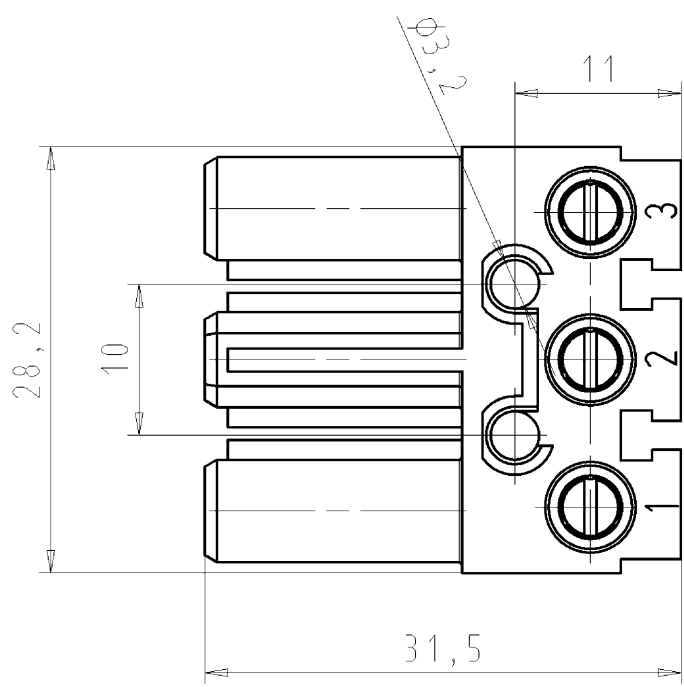
Accessories

Commercial Art.No.:	Article-type description:	Description:
99.004.8210.0	strain relief GST18i3 HOCH WS	gegis® strain relief for device connectors GST18i3 with screw connection; no integrated locking; use with separate locking or snap-in parts; colour: white
99.005.8210.0	strain relief GST18i3 HOCH SW	gegis® strain relief for device connectors GST18i3 with screw connection; no integrated locking; use with separate locking or snap-in parts; colour: black
05.561.3653.0	cover cap GST18i3VS B WS	Cover piece for female GST18i3, white
05.561.3653.1	cover cap GST18i3VS B SW	Cover piece for female GST18i3, black
05.564.5353.0	cover cap GST18i3/4/5 SW	Cover piece 12 pole black for female parts GST18i3-6
05.564.5353.2	cover cap GST18i3/4/5 WS	Cover piece 12 pole white for female parts GST18i3-6
05.594.4250.0	cover cap ST18/3B + GST18i3 ST WS	
05.594.4253.0	cover cap ST18/3B + GST18i3 ST WS	
34.300.1122.1	Mounting sheet GST18 3-10 POLIG	Mounting bracket to fix one or two GST18 device connectors. 3-10 poles possible. Can be fixed to the housing with screws or rivets.

Fits with

Commercial Art.No.:	Article-type description:	Description:
92.732.3053.0	Connector GST18i3S S1 ZR1 M WS	GST18i3 connector, 3 pole, male with screw connection assembled, coding mains 250 V, 20 A, coding color white, strain relief color white

92.932.3053.0	Connector GST18i3S S1 ZR1 WS	GST18i3 connector, 3 pole, male with screw connection, coding mains 250 V, 20 A, coding color white, strain relief color white
92.932.3057.0	Connector GST18i3S S1 ZR1 N	GST18i3 connector, 3 pole, male with screw connection, coding mains 250 V, 20 A, coding color white, strain relief color white
92.932.5053.0	Connector GST18i3S S1 ZR2 WS	GST18i3 connector, 3 pole, male with screw connection (tall strain relief), coding mains 250 V, 20 A, coding color white, strain relief color white
92.932.3453.0	Connector GST18i3S S1 ZR1 GR01	GST18i3 connector, 3 pole, male with screw connection, coding UPS 250 V, 20 A, coding color pebble grey, strain relief color black
92.932.5353.0	Connector GST18i3S S1 ZR2 GR01	GST18i3 connector, 3 pole, male with screw connection (tall strain relief), coding UPS 250 V, 20 A, coding color pebble grey, strain relief color black
92.932.5653.0	Connector GST18i3S S1 ZR2 RT03	
92.932.3653.0	Connector GST18i3S S1 ZR1 RT03	GST18i3 connector, 3 pole, male with screw connection, coding mains 250 V, 20 A, coding color salmon pink, strain relief color black
92.932.3853.0	Connector GST18i3S S1 ZR1 BR05	GST18i3 connector, 3 pole, male with screw connection, coding switching function 250 V, 20 A, coding color brown, strain relief color black
92.932.5853.0	Connector GST18i3S S1 ZR2 BR05	GST18i3 connector, 3 pole, male with screw connection (tall strain relief), coding switching function 250 V, 20 A, coding color brown, strain relief color black
92.932.3553.0	Connector GST18i3S S1 ZR1 GN07	GST18i3 connector, 3 pole, male with screw connection, coding according to customer requirement with PE, 20 A, coding color may green, strain relief color black
92.932.5553.0	Connector GST18i3S S1 ZR2 GN07	GST18i3 connector, 3 pole, male with screw connection (tall strain relief), coding according to customer requirement with PE, 20 A, coding color may green, strain relief color black
92.932.4053.0	Connector GST18i3S S1 ZR1 TB06	GST18i3 connector, 3 pole, male with screw connection, coding according to customer requirement without PE, 20 A, coding color turquoise blue, strain relief color black
92.932.6053.0	Connector GST18i3S S1 ZR2 TB06	GST18i3 connector, 3 pole, male with screw connection (tall strain relief), coding according to customer requirement without PE, 20 A, coding color turquoise blue, strain relief color black
92.932.3753.0	Connector GST18i3S S1 ZR1 PB04	GST18i3 connector, 3 pole, male with screw connection, coding not SELV, 20 A, coding color pastel blue, strain relief color black
92.732.3853.0	Connector GST18i3S S1 ZR1 MBR05	GST18i3 connector, 3 pole, male with screw connection assembled, coding switching function 250 V, 20 A, coding color brown, strain relief color black

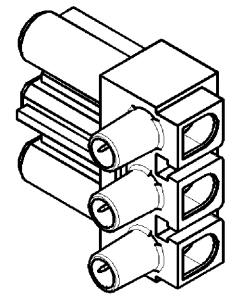


These dimensions will be especially checked at delivery
 Only inspection dimensions
 With /E marked dimensions are only valid for internal use

Diese Maße werden bei Abnahme besonders geprüft
 Ausschließlich Prüfmaße
 Mit /E gekennzeichnete Maße sind nur für interne Zwecke gültig

Weitergabe sowie Vervielfältigung dieses Dokuments, Verwertung und Mitteilung seines Inhalts sind verboten, soweit nicht ausdrücklich gestattet. Die Reproduktion, Distribution und Utilization of this document as well as the communication of its contents to others without express authorization is prohibited.

M/scale 1:1



Anwendung: Schaltanwendung
Application: switching application

Type: GST1813S B1 BR05

Tolerierung Size ISO 14405(☐)/Tolerance system Size ISO 14405(☐). (This ISO-standard describes the envelope principle. According to the envelope principle the deviations of form and parallelism are limited by the size tolerances).				ja/yes <input checked="" type="checkbox"/> Stoffverbots- und Deklarationsliste nach UU-TQM-05/03 ist einzuhalten. Conformity with Wieland document UU-TQM-05/03 (list of prohibited / declarable hazardous substances) to be declared!			
Freitoleranz nach General tolerance		CAD - Zeichnung, keine manuellen Änderungen CAD - drawing, no manual modifications allowed		1. Verwendung: - First Use:		Blatt: 1 von 1 Sheet: 1 of 1	
Werkstoff/Material Farbe/colour: oxidrot/oxide red		2014 Tag/Date Name		Zeichnung Nr./Drawing No.		Index	
Maßstab/Scale 2:1		gezeichnet drawn 13.06. Ritter K.		92.031.3858.0 01K			
Vol. mm³		Öfl./Surf. mm²		Ersatz für/Replacement for: -		Maße in mm/Dimensions are in mm	
www.wieland-electric.com		Type		Benennung/Tittle		BUCHSENTE IL female connector 250V AC, 20A, 2,5qmm	
Änderung/Revision		Datum / Blatt Date / Sheet					

920313858001K_2 CADW3025 Ritter 2014-07-07T13:21:28 1.000