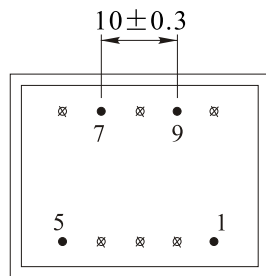
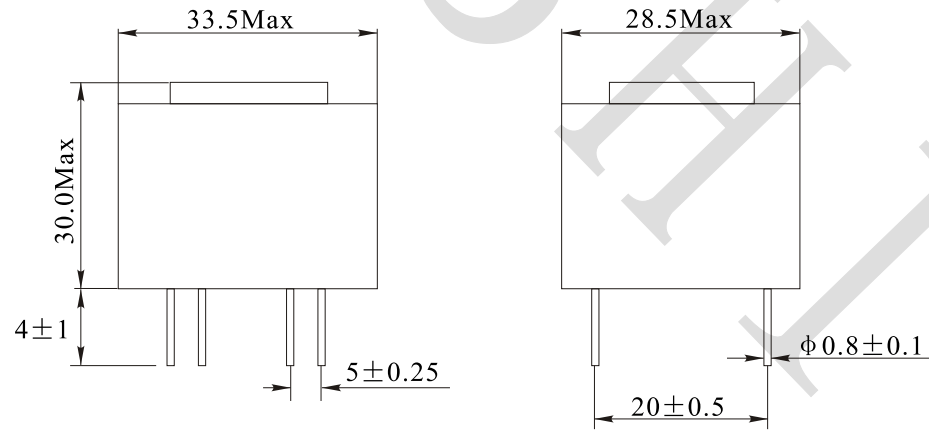


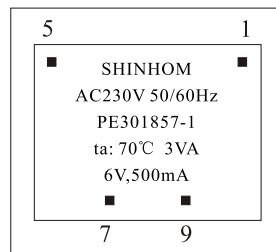
| Rev. | Description | Date |
|------|-------------|------------|
| A0 | New release | 2022.09.13 |
| | | |
| | | |

1. PHYSICAL CHARACTERISTICS (mm)



Bottom view

Top marking

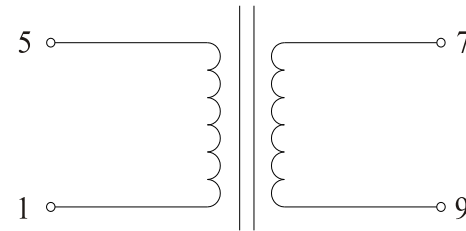


NOTES:

Temp 20°C 48%RH
RoHS Compliant

The Document property belong to SHINHOM & is not allowed to be duplicated without authorization

2. ELECTRONICAL SCHEMATIC



3. ELECTRONICAL SPECIFICATIONS

Pri voltage: 230V, 50Hz

Sec load voltage: 6.0V ± 0.5V @ 500mA

Noload voltage: 10.8V ± 0.5V

Output Power: 3.0VA

Hi-Pot: 4000V, 50Hz, 1mA, 10S Pri to Sec

Note:

- Solderability: leads shall meet MIL-STD-202, Method 208D for solderability.
- Flammability: UL94V-0
- ASTM oxygen index: >28%

| | | | |
|---------------|---------------------|------------|------------|
| NAME: | Potting Transformer | | |
| CUSTOMER P/N: | BVEI305 2050 | DATE: | 2022-09-13 |
| SHINHOM P/N: | PE301857-1 | REV: A0 | PAGE |
| DRAWN BY | CHECKED BY | APPROVE BY | |



SHINHOM
SHAANXISHINHOM ENTERPRISE CO LTD