

Data sheet

Commercial Art.No.: 73.810.0853.0

Male insert DD STC 108 1,5 25

revos DD 108 pole + ground, male insert 250V/10A, crimp connection



Commercial Art.No.	73.810.0853.0
EAN	4015573861626
Order Unit	5

Certificates / Approvals



Technical data

General

Model	Pin insert
Inflammability class of insulation material acc. with UL94	V0
Mating cycles	500
Pollution degree	3
Modular version	No
Alternative size	24H
Operating temperature range min.	-40 °C
Operating temperature range max.	120 °C

Connection Data

Connection type	Crimp
Number of poles	108
Plus switching contacts	0
Number of pole for rated current 2	0
Number of pole for rated current 3	0
Total number of poles (without ground contact)	108
With wire protection	No
Protective contact	yes

Technical Data UL/CSA

Rated voltage according to UL/CSA	600 V
Rated current according UL	8.5 A
Rated current according CSA	20 A
Min. conductor cross section flexible wire	0.14 mm ²
Max. conductor cross section flexible wire	2.5 mm ²
Conductor cross section flexible AWG wire	26-14 AWG

Model

With housing	No
--------------	----

Contacts

Contact material	See contacts
Surface	See contacts
Contact resistance	≤ 5 mOhm
Wire strip length	8 mm

Screws head design/recomm. Torque

Mounting screws	Z1/0.5 Nm
Ground conductor screws	Z2/1.2 Nm

Technical Data DIN EN 61984

Nominal voltage	250 V
Rated voltage face/ground	250 V
Nominal current	10 A
Rated impulse voltage	4 kV

Classification

ECLASS 11	
ECLASS 8.1	27440205
ETIM 7.0	EC000438
ETIM 6.0	EC000438
ETIM 5.0	EC000438
ETIM 4.0	EC000438
ETIM 3.0	EC000438

Product compliance

ROHS conformity status	Compliant
REACH-SVHC conformity status	Compliant

Accessories

Commercial Art.No.:	Article-type description:	Description:
05.544.4129.8	Male contact D 1,6- 0,14-0,37 QMM	Male contact, turned Ø 1,6 mm, 0,14-0,37 mm ² , AWG 26-22, Ag
05.544.4229.8	Male contact D 1,6- 0,5 QMM	Male contact, turned Ø 1,6 mm, 0,5 mm ² , AWG 20, Ag
05.544.4329.8	Male contact D 1,6- 0,75-1,0 QMM	Male contact, turned Ø 1,6 mm, 0,75-1 mm ² , AWG 18, Ag
05.544.4429.8	Male contact D 1,6- 1,5 QMM	Male contact, turned Ø 1,6 mm, 1,5 mm ² , AWG 16, Ag
05.544.4529.8	Male contact D 1,6- 2,5 QMM	Male contact, turned Ø 1,6 mm, 2,5 mm ² , AWG 14, Ag
05.544.4129.7	Male contact D 1,6 - 0,14 - 0,37 QMM	Male contact, turned Ø 1,6 mm, 0,14-0,37 mm ² , AWG 26-22, Au
05.544.4229.7	Male contact D 1,6 - 0,5 QMM	
05.544.4329.7	Male contact D 1,6 - 0,75 - 1,0 QMM	Male contact, turned Ø 1,6 mm, 0,75 - 1,0 mm ² , AWG 26-22, Au
05.544.4429.7	Male contact D 1,6 - 1,5 QMM	

Fits with

Commercial Art.No.:	Article-type description:	Description:

71.350.2435.0	Hood BAS GOT GG 24 M25 A0	Hood revos basic made of aluminum, for single locking lever with cable gland M25 on the right side (IP54), low version, 24-poles
71.350.2435.1	Hood BAS GOT GG 24 M25 A1	Hood revos basic made of aluminum, for single locking lever with threaded hole M25 on the right side, low version, 24-poles
71.350.2435.2	Hood BAS GOT GG 24 M25 A2	Hood revos basic made of aluminum, for single locking lever with nozzleM25 on the right side, low version, 24-poles
71.350.2435.3	Hood BAS GOT GG 24 M25 A3	Hood revos basic made of aluminum, for single locking lever with trumpet gland M25 on the right side (IP54), low version, 24-poles
71.352.2435.0	Hood BAS GOT GI 24 M25 A0	Hood revos basic made of aluminum, for single locking lever with cable gland M25 on the top (IP54), low version, 24-poles
71.352.2435.1	Hood BAS GOT GI 24 M25 A1	Hood revos basic made of aluminum, for single locking lever with threaded hole M25 on the top, low version, 24-poles
71.352.2435.2	Hood BAS GOT GI 24 M25 A2	Hood revos basic made of aluminum, for single locking lever with nozzleM25 on the top, low version, 24-poles
71.352.2435.3	Hood BAS GOT GI 24 M25 A3	Hood revos basic made of aluminum, for single locking lever with trumpet gland M25 on the top (IP54), low version, 24-poles
71.353.2435.0	Hood BAS GOT GG 24 M32 A0	Hood revos basic made of aluminum, for single locking lever with cable gland M32 on the right side (IP54), low version, 24-poles
71.353.2435.1	Hood BAS GOT GG 24 M32 A1	Hood revos basic made of aluminum, for single locking lever with threaded hole M32 on the right side, low version, 24-poles
71.353.2435.2	Hood BAS GOT GG 24 M32 A2	Hood revos basic made of aluminum, for single locking lever with nozzleM32 on the right side, low version, 24-poles
71.353.2435.3	Hood BAS GOT GG 24 M32 A3	Hood revos basic made of aluminum, for single locking lever with trumpet gland M32 on the right side (IP54), low version, 24-poles
71.354.2435.0	Hood BAS GOT GI 24 M32 A0	Hood revos basic made of aluminum, for single locking lever with cable gland M32 on the top (IP54), low version, 24-poles
71.354.2435.1	Hood BAS GOT GI 24 M32 A1	Hood revos basic made of aluminum, for single locking lever with threaded hole M32 on the top, low version, 24-poles
71.354.2435.2	Hood BAS GOT GI 24 M32 A2	Hood revos basic made of aluminum, for single locking lever with nozzleM32 on the top, low version, 24-poles
71.354.2435.3	Hood BAS GOT GI 24 M32 A3	Hood revos basic made of aluminum, for single locking lever with trumpet gland M32 on the top (IP54), low version, 24-poles
71.372.2435.0	Hood BAS GOT GL 24 M25 A0	Hood revos basic made of aluminum, with single locking lever and cable gland M25 on the top - free cable connection (IP54), low version, 24-poles
71.372.2435.1	Hood BAS GOT GL 24 M25 A1	Hood revos basic made of aluminum, with single locking lever and threaded hole M25 on the top - free cable connection, low version, 24-poles
71.374.2435.0	Hood BAS GOT GL 24 M32 A0	Hood revos basic made of aluminum, with single locking lever and cable gland M32 on the top - free cable connection (IP54), low version, 24-poles
71.450.2437.1	Hood BAS GOM GG24 M25 B1	Hood revos basic metal-series without coating, for single locking lever with threaded hole M25 on the right side, low version, 24-poles
71.452.2437.1	Hood BAS GOM GI24 M25 B1	Hood revos basic metal-series without coating, for single locking lever with threaded hole M25 on the top, low version, 24-poles
76.350.6435.0	Hood BAS GOT GG 24HM25 50 A0	Hood revos basic made of aluminum, for single locking lever with cable gland M25 on the right side (IP54), low version, 24-poles
76.350.6435.1	Hood BAS GOT GG 24HM25 50 A1	Hood revos basic made of aluminum, for single locking lever with threaded hole M25 on the right side, low version, 24-poles
76.350.6435.3	Hood BAS GOT GG 24H M25 A3	Hood revos basic made of aluminum, for single locking lever with trumpet gland M25 on the right side (IP54), low version, 24-poles
76.351.2435.0	Hood BAS GOT GH 24H M25 A0	Hood revos basic made of aluminum, for single locking lever with cable gland M25 on the front (IP54), low version, 24-poles
76.351.2435.1	Hood BAS GOT GH 24H M25 A1	Hood revos basic made of aluminum, for single locking lever with threaded hole M25 on the front, low version, 24-poles

76.351.2435.3	Hood BAS GOT GH 24H M25 A3	Hood revos basic made of aluminum, for single locking lever with trumpet gland M25 on the front (IP54), low version, 24-poles
76.352.6435.0	Hood BAS GOT GI 24HM25 50 A0	Hood revos basic made of aluminum, for single locking lever with cable gland M25 on the top (IP54), low version, 24-poles
76.352.6435.1	Hood BAS GOT GI 24HM25 50 A1	Hood revos basic made of aluminum, for single locking lever with threaded hole M25 on the top, low version, 24-poles
76.352.6435.3	Hood BAS GOT GI 24H M25 A3	Hood revos basic made of aluminum, for single locking lever with trumpet gland M25 on the top (IP54), low version, 24-poles
76.353.6435.0	Hood BAS GOT GG 24HM32 50 A0	Hood revos basic made of aluminum, for single locking lever with cable gland M32 on the right side (IP54), low version, 24-poles
76.353.6435.1	Hood BAS GOT GG 24HM32 50 A1	Hood revos basic made of aluminum, for single locking lever with threaded hole M32 on the right side, low version, 24-poles
76.353.6435.3	Hood BAS GOT GG 24H M32 A3	Hood revos basic made of aluminum, for single locking lever with trumpet gland M32 on the right side (IP54), low version, 24-poles
76.354.6435.0	Hood BAS GOT GI 24HM32 50 A0	Hood revos basic made of aluminum, for single locking lever with cable gland M32 on the top (IP54), low version, 24-poles
76.354.6435.1	Hood BAS GOT GI 24HM32 50 A1	Hood revos basic made of aluminum, for single locking lever with threaded hole M32 on the top, low version, 24-poles
76.360.6435.1	Hood BAS GOT GG 24H M40 A1	Hood revos basic made of aluminum, for single locking lever with threaded hole M40 on the right side, low version, 24-poles
76.362.6435.1	Hood BAS GOT GI 24H M40 A1	Hood revos basic made of aluminum, for single locking lever with threaded hole M40 on the top, low version, 24-poles
71.320.2428.0	Bottom BAS GUT GK 24 A	Bottom-base revos basic made of aluminum, with single locking lever, open, low version, 24-poles
71.325.2428.0	Bottom BAS GUT GP 24 A	Bottom-base revos basic made of aluminum, with single locking lever, open, low version, 24-poles
71.330.2435.0	Bottom BAS GUT GL 24 M25 A0	Bottom-base revos basic made of aluminum, with single locking lever and cable gland M25 on the right and left side (IP54), low version, 24-polig
71.330.2435.1	Bottom BAS GUT GL 24 M25 A1	Bottom-base revos basic made of aluminum, with single locking lever and threaded hole M25 on the right and left side, low version, 24-polig
71.331.2435.0	Bottom BAS GUT GM 24 M25 A0	Bottom-base revos basic made of aluminum, with single locking lever and cable gland M25 on the left side (IP54), low version, 24-polig
71.331.2435.1	Bottom BAS GUT GM 24 M25 A1	Bottom-base revos basic made of aluminum, with single locking lever and threaded hole M25 on the left side, low version, 24-polig
71.333.2435.0	Bottom BAS GUT GO 24 M25 A0	Bottom-base revos basic made of aluminum, with single locking lever and cable gland M25 on the bottom (IP54), low version, 24-polig
71.333.2435.1	Bottom BAS GUT GO 24 M25 A1	Bottom-base revos basic made of aluminum, with single locking lever and threaded hole M25 on the bottom, low version, 24-polig
71.340.2435.0	Bottom BAS GUT GR 24 M25 A0	Bottom-base revos basic made of aluminum, with single locking lever and cable gland M25 on the right and the left side, with protective cover (IP54), low version, 24-polig
71.340.2435.1	Bottom BAS GUT GR 24 M25 A1	Bottom-base revos basic made of aluminum, with single locking lever and threaded hole M25 on the right and the left side, with protective cover, low version, 24-polig
71.341.2435.0	Bottom BAS GUT GS 24 M25 A0	Bottom-base revos basic made of aluminum, with single locking lever and cable gland M25 on the left side, with protective cover (IP54), low version, 24-polig
71.341.2435.1	Bottom BAS GUT GS 24 M25 A1	Bottom-base revos basic made of aluminum, with single locking lever and threaded hole M25 on the left side, with protective cover, low version, 24-polig
71.342.2435.0	Bottom BAS GUT GT 24 M25 A0	Bottom-base revos basic made of aluminum, with single locking lever and cable gland M25 on the right side, with protective cover (IP54), low version, 24-polig

71.342.2435.1	Bottom BAS GUT GT 24 M25 A1	Bottom-base revos basic made of aluminum, with single locking lever and threaded hole M25 on the right side, with protective cover, low version, 24-polig
71.343.2435.0	Bottom BAS GUT GU 24 M25 A0	Bottom-base revos basic made of aluminum, with single locking lever and cable gland M25 on the bottom, with protective cover (IP54), low version, 24-polig
71.343.2435.1	Bottom BAS GUT GU 24 M25 A1	Bottom-base revos basic made of aluminum, with single locking lever and threaded hole M25 on the bottom, with protective cover, low version, 24-polig
71.420.2437.0	Bottom BAS GUM GK 24 B	Bottom-base revos basic metal-series without coating, open, low version, 24-poles
71.425.2437.0	Bottom BAS GUM GP 24 B	Bottom-base revos basic metal-series without coating, with single locking lever and protective cover, low version, 24-poles
71.430.2437.1	Bottom BAS GUM GL 24 M25 B1	Bottom-base revos basic metal-series without coating, with single locking lever and threaded hole M25 on the right and left side, low version, 24-polig
71.431.2437.1	Bottom BAS GUM GM 24 M25 B1	Bottom-base revos basic metal-series without coating, with single locking lever and threaded hole M25 on the left side, low version, 24-polig
71.440.2437.1	Bottom BAS GUM GR 24 M25 B1	Bottom-base revos basic metal-series without coating, with single locking lever and threaded hole M25 on the right and the left side, with protective cover, low version, 24-polig
71.441.2437.1	Bottom BAS GUM GS 24 M25 B1	Bottom-base revos basic metal-series without coating, with single locking lever and threaded hole M25 on the left side, with protective cover, low version, 24-polig
76.334.6435.0	Bottom BAS GUT GL 24HM32 50 A0	Bottom-base revos basic made of aluminum, with single locking lever and cable gland M32 on the right and left side (IP54), low version, 24-polig
76.334.6435.1	Bottom BAS GUT GL 24HM32 50 A1	Bottom-base revos basic made of aluminum, with single locking lever and threaded hole M32 on the right and left side, low version, 24-polig
76.335.6435.0	Bottom BAS GUT GM 24HM32 50 A0	Bottom-base revos basic made of aluminum, with single locking lever and cable gland M32 on the left side (IP54), low version, 24-polig
76.335.6435.1	Bottom BAS GUT GM 24HM32 50 A1	Bottom-base revos basic made of aluminum, with single locking lever and threaded hole M32 on the left side, low version, 24-polig
76.337.6435.0	Bottom BAS GUT GO 24HM32 50 A0	Bottom-base revos basic made of aluminum, with single locking lever and cable gland M32 on the bottom (IP54), low version, 24-polig
76.337.6435.1	Bottom BAS GUT GO 24HM32 50 A1	Bottom-base revos basic made of aluminum, with single locking lever and threaded hole M32 on the bottom, low version, 24-polig
76.344.6435.0	Bottom BAS GUT GR 24HM32 50 A0	Bottom-base revos basic made of aluminum, with single locking lever and cable gland M32 on the right and the left side, with protective cover (IP54), low version, 24-polig
76.344.6435.1	Bottom BAS GUT GR 24HM32 50 A1	Bottom-base revos basic made of aluminum, with single locking lever and threaded hole M32 on the right and the left side, with protective cover, low version, 24-polig
76.345.6435.0	Bottom BAS GUT GS 24HM32 50 A0	Bottom-base revos basic made of aluminum, with single locking lever and cable gland M32 on the left side, with protective cover (IP54), low version, 24-polig
76.345.6435.1	Bottom BAS GUT GS 24HM32 50 A1	Bottom-base revos basic made of aluminum, with single locking lever and threaded hole M32 on the left side, with protective cover, low version, 24-polig
76.346.6435.0	Bottom BAS GUT GT 24HM32 50 A0	Bottom-base revos basic made of aluminum, with single locking lever and cable gland M32 on the right side, with protective cover (IP54), low version, 24-polig
76.346.6435.1	Bottom BAS GUT GT 24HM32 50 A1	Bottom-base revos basic made of aluminum, with single locking lever and threaded hole M32 on the right side, with protective cover, low version, 24-polig

76.347.6435.1	Bottom BAS GUT GU 24HM32 50 A1	Bottom-base revos basic made of aluminum, with single locking lever and threaded hole M32 on the bottom, with protective cover, low version, 24-poles
70.350.2435.0	Hood BAS GOT GA 24 M25 A0	Hood revos basic made of aluminum, for double locking lever or. screw cap with cable gland M25 on the right side (IP54), low version, 24-poles
70.350.2435.1	Hood BAS GOT GA 24 M25 A1	Hood revos basic made of aluminum, for double locking lever or. screw cap with threaded hole M25 on the right side, low version, 24-poles
70.350.2435.2	Hood BAS GOT GA 24 M25 A2	Hood revos basic made of aluminum, for double locking lever or. screw cap with nozzle M25 on the right side, low version, 24-poles
70.350.2435.3	Hood BAS GOT GA 24 M25 A3	Hood revos basic made of aluminum, for double locking lever or. screw cap with trumpet gland M25 on the right side (IP54), low version, 24-poles
70.352.2435.0	Hood BAS GOT GC 24 M25 A0	Hood revos basic made of aluminum, for double locking lever or. screw cap with cable gland M25 on the top (IP54), low version, 24-poles
70.352.2435.1	Hood BAS GOT GC 24 M25 A1	Hood revos basic made of aluminum, for double locking lever or. screw cap with threaded hole M25 on the top, low version, 24-poles
70.352.2435.2	Hood BAS GOT GC 24 M25 A2	Hood revos basic made of aluminum, for double locking lever or. screw cap with nozzle M25 on the top, low version, 24-poles
70.352.2435.3	Hood BAS GOT GC 24 M25 A3	Hood revos basic made of aluminum, for double locking lever or. screw cap with trumpet gland M25 on the top (IP54), low version, 24-poles
70.353.2435.0	Hood BAS GOT GA 24 M32 A0	Hood revos basic made of aluminum, for double locking lever or. screw cap with cable gland M32 on the right side (IP54), low version, 24-poles
70.353.2435.1	Hood BAS GOT GA 24 M32 A1	Hood revos basic made of aluminum, for double locking lever or. screw cap with threaded hole M32 on the right side, low version, 24-poles
70.353.2435.2	Hood BAS GOT GA 24 M32 A2	Hood revos basic made of aluminum, for double locking lever or. screw cap with nozzle M32 on the right side, low version, 24-poles
70.353.2435.3	Hood BAS GOT GA 24 M32 A3	Hood revos basic made of aluminum, for double locking lever or. screw cap with trumpet gland M32 on the right side (IP54), low version, 24-poles
70.354.2435.0	Hood BAS GOT GC 24 M32 A0	Hood revos basic made of aluminum, for double locking lever or. screw cap with cable gland M32 on the top (IP54), low version, 24-poles
70.354.2435.1	Hood BAS GOT GC 24 M32 A1	Hood revos basic made of aluminum, for double locking lever or. screw cap with threaded hole M32 on the top, low version, 24-poles
70.354.2435.2	Hood BAS GOT GC 24 M32 A2	Hood revos basic made of aluminum, for double locking lever or. screw cap with nozzle M32 on the top, low version, 24-poles
70.354.2435.3	Hood BAS GOT GC 24 M32 A3	Hood revos basic made of aluminum, for double locking lever or. screw cap with trumpet gland M32 on the top (IP54), low version, 24-poles
70.355.2435.0	Hood BAS GOT GD 24 M25 A0	Hood revos basic made of aluminum, with double locking lever and cable gland M25 on the right side (IP54), low version, 24-poles
70.355.2435.1	Hood BAS GOT GD 24 M25 A1	Hood revos basic made of aluminum, with double locking lever and threaded hole M25 on the right side, low version, 24-poles
70.355.2435.2	Hood BAS GOT GD 24 M25 A2	Hood revos basic made of aluminum, with double locking lever and nozzle M25 on the right side, low version, 24-poles
70.357.2435.0	Hood BAS GOT GF 24 M25 A0	Hood revos basic made of aluminum, with double locking lever and cable gland M25 on the top (IP54), low version, 24-poles
70.357.2435.1	Hood BAS GOT GF 24 M25 A1	Hood revos basic made of aluminum, with double locking lever and threaded hole M25 on the top, low version, 24-poles

70.357.2435.2	Hood BAS GOT GF 24 M25 A2	Hood revos basic made of aluminum, with double locking lever and nozzleM25 on the top, low version, 24-poles
70.358.2435.0	Hood BAS GOT GD 24 M32 A0	Hood revos basic made of aluminum, with double locking lever and cable gland M32 on the right side (IP54), low version, 24-poles
70.358.2435.1	Hood BAS GOT GD 24 M32 A1	Hood revos basic made of aluminum, with double locking lever and threaded hole M32 on the right side, low version, 24-poles
70.358.2435.2	Hood BAS GOT GD 24 M32 A2	Hood revos basic made of aluminum, with double locking lever and nozzleM32 on the right side, low version, 24-poles
70.359.2435.0	Hood BAS GOT GF 24 M32 A0	Hood revos basic made of aluminum, with double locking lever and cable gland M32 on the top (IP54), low version, 24-poles
70.359.2435.1	Hood BAS GOT GF 24 M32 A1	Hood revos basic made of aluminum, with double locking lever and threaded hole M32 on the top, low version, 24-poles
70.374.2435.0	Hood BAS GOT GK 24 M32 A0	Hood revos basic made of aluminum, with double locking lever and cable gland M32 on the top - free cable connection (IP54), low version, 24-poles
70.374.2435.1	Hood BAS GOT GK 24 M32 50 A1	Hood revos basic made of aluminum, with double locking lever and threaded hole M32 on the top - free cable connection, low version, 24-poles
70.374.2435.3	Hood BAS GOT GK 24 M32 A3	Hood revos basic made of aluminum, with double locking lever and trumpet gland M32 on the top - free cable connection (IP54), low version, 24-poles
72.250.2435.2	Hood POW GOT GA 24 M50 69 A2	Hood revos basic made of aluminum, for double locking lever or. screw cap with nozzle M50 on the right side, low version, 24-poles
73.350.6435.0	Hood BAS GOT GA 24HM25 50 A0	Hood revos basic made of aluminum, for double locking lever or. screw cap with cable gland M25 on the right side (IP54), low version, 24-poles
73.350.6435.1	Hood BAS GOT GA 24HM25 50 A1	Hood revos basic made of aluminum, for double locking lever or. screw cap with threaded hole M25 on the right side, low version, 24-poles
73.350.6435.2	Hood BAS GOT GA 24HM25 50 A2	Hood revos basic made of aluminum, for double locking lever or. screw cap with nozzle M25 on the right side, low version, 24-poles
73.350.6435.3	Hood BAS GOT GA 24H M25 A3	Hood revos basic made of aluminum, for double locking lever or. screw cap with trumpet gland M25 on the right side (IP54), low version, 24-poles
73.351.2435.0	Hood BAS GOT GB 24H M25 A0	Hood revos basic made of aluminum, for double locking lever and cable gland M25 on the front (IP54), low version, 24-poles
73.351.2435.1	Hood BAS GOT GB 24H M25 A1	Hood revos basic made of aluminum, for double locking lever and threaded hole M25 on the front, low version, 24-poles
73.351.2435.3	Hood BAS GOT GB 24H M25 A3	Hood revos basic made of aluminum, for double locking lever and trumpetgland M25 on the front (IP54), low version, 24-poles
73.352.6435.0	Hood BAS GOT GC 24HM25 50 A0	Hood revos basic made of aluminum, for double locking lever or. screw cap with cable gland M25 on the top (IP54), low version, 24-poles
73.352.6435.1	Hood BAS GOT GC 24HM25 50 A1	Hood revos basic made of aluminum, for double locking lever or. screw cap with threaded hole M25 on the top, low version, 24-poles
73.352.6435.3	Hood BAS GOT GC 24H M25 A3	Hood revos basic made of aluminum, for double locking lever or. screw cap with trumpet gland M25 on the top (IP54), low version, 24-poles
73.353.6435.0	Hood BAS GOT GA 24HM32 50 A0	Hood revos basic made of aluminum, for double locking lever or. screw cap with cable gland M32 on the right side (IP54), low version, 24-poles
73.353.6435.1	Hood BAS GOT GA 24H M32 A1	Hood revos basic made of aluminum, for double locking lever or. screw cap with threaded hole M32 on the right side, low version, 24-poles
73.353.6435.2	Hood BAS GOT GA 24HM32 50 A2	Hood revos basic made of aluminum, for double locking lever or. screw cap with nozzle M32 on the right side, low version, 24-poles

73.353.6435.3	Hood BAS GOT GA 24H M32 A3	Hood revos basic made of aluminum, for double locking lever or. screw cap with trumpet gland M32 on the right side (IP54), low version, 24-poles
73.354.6435.0	Hood BAS GOT GC 24HM32 50 A0	Hood revos basic made of aluminum, for double locking lever or. screw cap with cable gland M32 on the top (IP54), low version, 24-poles
73.354.6435.1	Hood BAS GOT GC 24HM32 50 A1	Hood revos basic made of aluminum, for double locking lever or. screw cap with threaded hole M32 on the top, low version, 24-poles
73.354.6435.3	Hood BAS GOT GC 24HM32 A3	Hood revos basic made of aluminum, for double locking lever or. screw cap with trumpet gland M32 on the top (IP54), low version, 24-poles
73.355.6435.0	Hood BAS GOT GD 24HM25 50 A0	Hood revos basic made of aluminum, with double locking lever and cable gland M25 on the right side (IP54), low version, 24-poles
73.355.6435.1	Hood BAS GOT GD 24HM25 50 A1	Hood revos basic made of aluminum, with double locking lever and threaded hole M25 on the right side, low version, 24-poles
73.355.6435.3	Hood BAS GOT GD 24HM25 A3	Hood revos basic made of aluminum, with double locking lever and trumpet gland M25 on the right side (IP54), low version, 24-poles
73.357.6435.0	Hood BAS GOT GF 24HM25 50 A0	Hood revos basic made of aluminum, with double locking lever and cable gland M25 on the top (IP54), low version, 24-poles
73.357.6435.1	Hood BAS GOT GF 24HM25 50 A1	Hood revos basic made of aluminum, with double locking lever and threaded hole M25 on the top, low version, 24-poles
73.358.6435.0	Hood BAS GOT GD 24HM32 50 A0	Hood revos basic made of aluminum, with double locking lever and cable gland M32 on the right side (IP54), low version, 24-poles
73.358.6435.1	Hood BAS GOT GD 24HM32 50 A1	Hood revos basic made of aluminum, with double locking lever and threaded hole M32 on the right side, low version, 24-poles
73.358.6435.3	Hood BAS GOT GD 24HM32 A3	Hood revos basic made of aluminum, with double locking lever and trumpet gland M32 on the right side (IP54), low version, 24-poles
73.359.6435.0	Hood BAS GOT GF 24HM32 50 A0	Hood revos basic made of aluminum, with double locking lever and cable gland M32 on the top (IP54), low version, 24-poles
73.359.6435.1	Hood BAS GOT GF 24HM32 50 A1	Hood revos basic made of aluminum, with double locking lever and threaded hole M32 on the top, low version, 24-poles
73.360.6435.0	Hood BAS GOT GA 24HM40 A0	Hood revos basic made of aluminum, for double locking lever or. screw cap with cable gland M40 on the right side (IP54), low version, 24-poles
73.360.6435.1	Hood BAS GOT GA 24HM40 50 A1	Hood revos basic made of aluminum, for double locking lever or. screw cap with threaded hole M40 on the right side, low version, 24-poles
73.362.6435.0	Hood BAS GOT GC 24HM40 A0	Hood revos basic made of aluminum, for double locking lever or. screw cap with cable gland M40 on the top (IP54), low version, 24-poles
73.362.6435.1	Hood BAS GOT GC 24HM40 50 A1	Hood revos basic made of aluminum, for double locking lever or. screw cap with threaded hole M40 on the top, low version, 24-poles
73.365.6435.1	Hood BAS GOT GD 24HM40 A1	Hood revos basic made of aluminum, with double locking lever and threaded hole M40 on the right side, low version, 24-poles
73.367.6435.0	Hood BAS GOT GF 24HM40 A0	Hood revos basic made of aluminum, with double locking lever and cable gland M40 on the top (IP54), low version, 24-poles
70.320.2428.0	Bottom BAS GUT GA 24 A	Bottom-base revos basic made of aluminum, with double locking lever or. screw cap, low version, 24-poles
70.325.2428.0	Bottom BAS GUT GE 24 A	Bottom-base revos basic made of aluminum, for double locking lever and protective cover, open, low version, 24-poles
70.330.2435.0	Bottom BAS GUT GB 24 M25 A0	Bottom-base revos basic made of aluminum, with double locking lever or. screw cap with cable gland M25 on the right and left side (IP54), low version, 24-polig
70.330.2435.1	Bottom BAS GUT GB 24 M25 A1	Bottom-base revos basic made of aluminum, with double locking lever or. screw cap with threaded hole M25 on the right and left side, low version, 24-polig

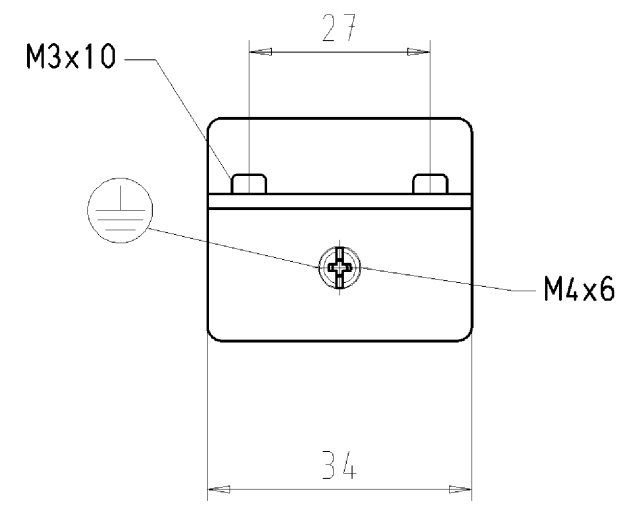
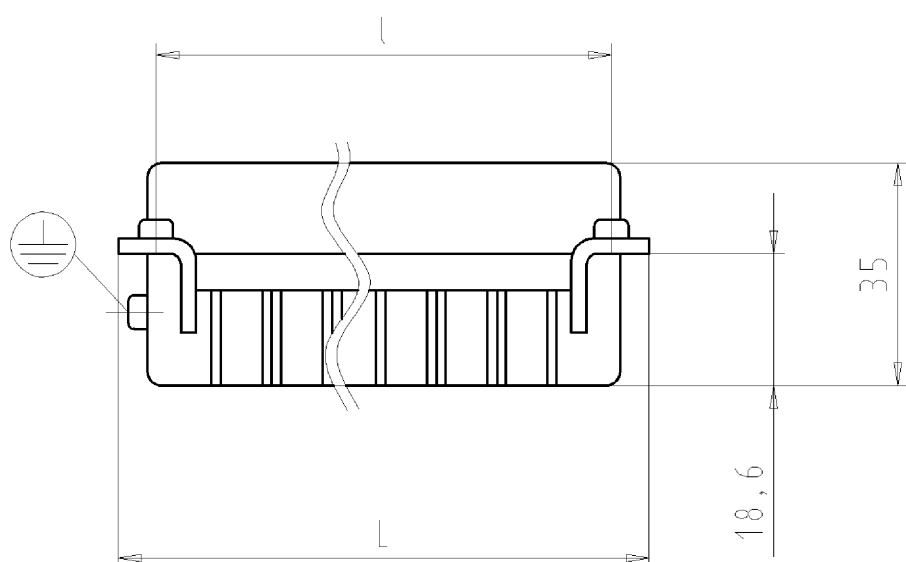
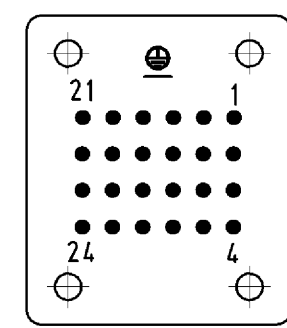
70.331.2435.0	Bottom BAS GUT GC 24 M25 A0	Bottom-base revos basic made of aluminum, with double locking lever or.screw cap with cable gland M25 on the left side (IP54), low version, 24-polig
70.331.2435.1	Bottom BAS GUT GC 24 M25 A1	Bottom-base revos basic made of aluminum, with double locking lever or.screw cap with threaded hole M25 on the left side, low version, 24-polig
70.333.2435.0	Bottom BAS GUT GD 24 M25 A0	Bottom-base revos basic made of aluminum, with double locking lever or.screw cap with cable gland M25 on the right side (IP54), low version, 24-polig
70.333.2435.1	Bottom BAS GUT GD 24 M25 A1	Bottom-base revos basic made of aluminum, with double locking lever or.screw cap with threaded hole M25 on the right side, low version, 24-polig
70.340.2435.0	Bottom BAS GUT GF 24 M25 A0	Bottom-base revos basic made of aluminum, for double locking lever withcable gland M25 on the left and right side, with protective cover (IP54), low version, 24-polig
70.340.2435.1	Bottom BAS GUT GF 24 M25 A1	Bottom-base revos basic made of aluminum, for double locking lever withthreaded hole M25 on the left and right side, with protective cover, low version, 24-polig
70.341.2435.0	Bottom BAS GUT GG 24 M25 A0	Bottom-base revos basic made of aluminum, with double locking lever andcable gland M25 on the left side, with protective cover (IP54), low version, 24-polig
70.341.2435.1	Bottom BAS GUT GG 24 M25 A1	Bottom-base revos basic made of aluminum, with double locking lever andthreaded hole M25 on the left side, with protective cover, low version,24-polig
70.342.2435.0	Bottom BAS GUT GH 24 M25 A0	Bottom-base revos basic made of aluminum, with double locking lever andcable gland M25 on the right side, with protective cover (IP54), low version, 24-polig
70.342.2435.1	Bottom BAS GUT GH 24 M25 A1	Bottom-base revos basic made of aluminum, with double locking lever andthreaded hole M25 on the right side, with protective cover, low version, 24-polig
70.343.2435.0	Bottom BAS GUT GI 24 M25 A0	Bottom-base revos basic made of aluminum, with double locking lever andcable gland M25 on the bottom, with protective cover (IP54), low version, 24-polig
70.343.2435.1	Bottom BAS GUT GI 24 M25 A1	Bottom-base revos basic made of aluminum, with double locking lever andthreaded hole M25 on the bottom, with protective cover, low version, 24-polig
73.334.6435.0	Bottom BAS GUT GB 24HM32 50 A0	Bottom-base revos basic made of aluminum, with double locking lever or.screw cap with cable gland M32 on the right and left side (IP54), low version, 24-polig
73.334.6435.1	Bottom BAS GUT GB 24HM32 50 A1	Bottom-base revos basic made of aluminum, with double locking lever or.screw cap with threaded hole M32 on the right and left side, low version, 24-polig
73.335.6435.0	Bottom BAS GUT GC 24HM32 50 A0	Bottom-base revos basic made of aluminum, with double locking lever or.screw cap with cable gland M32 on the left side (IP54), low version, 24-polig
73.335.6435.1	Bottom BAS GUT GC 24HM32 50 A1	Bottom-base revos basic made of aluminum, with double locking lever or.screw cap with threaded hole M32 on the left side, low version, 24-polig
73.337.6435.0	Bottom BAS GUT GD 24HM32 50 A0	Bottom-base revos basic made of aluminum, with double locking lever or.screw cap with cable gland M32 on the right side (IP54), low version, 24-polig
73.337.6435.1	Bottom BAS GUT GD 24HM32 50 A1	Bottom-base revos basic made of aluminum, with double locking lever or.screw cap with threaded hole M32 on the right side, low version, 24-polig
73.338.6435.1	Bottom BAS GUT GB 24H M40 A1	Bottom-base revos basic made of aluminum, with double locking lever or.screw cap with threaded hole M40 on the right and left side, low version, 24-polig

73.339.6435.1	Bottom BAS GUT GC 24H M40 A1	Bottom-base revos basic made of aluminum, with double locking lever or screw cap with threaded hole M40 on the left side, low version, 24-polig
73.344.6435.0	Bottom BAS GUT GF 24HM32 50 A0	Bottom-base revos basic made of aluminum, for double locking lever with cable gland M32 on the left and right side, with protective cover (IP54), low version, 24-polig
73.344.6435.1	Bottom BAS GUT GF 24HM32 50 A1	Bottom-base revos basic made of aluminum, for double locking lever with threaded hole M32 on the left and right side, with protective cover, low version, 24-polig
73.345.6435.0	Bottom BAS GUT GG 24HM32 50 A0	Bottom-base revos basic made of aluminum, with double locking lever and cable gland M32 on the left side, with protective cover (IP54), low version, 24-polig
73.345.6435.1	Bottom BAS GUT GG 24HM32 50 A1	Bottom-base revos basic made of aluminum, with double locking lever and threaded hole M32 on the left side, with protective cover, low version, 24-polig
73.346.6435.1	Bottom BAS GUT GH 24HM32 50 A1	Bottom-base revos basic made of aluminum, with double locking lever and threaded hole M32 on the right side, with protective cover, low version, 24-polig
73.347.6435.0	Bottom BAS GUT GI 24HM32 50 A0	Bottom-base revos basic made of aluminum, with double locking lever and cable gland M32 on the bottom, with protective cover (IP54), low version, 24-polig
70.357.2435.3	Hood BAS GOT GF 24 M25 A3	Hood revos basic made of aluminum, with double locking lever and trumpet gland M25 on the top (IP54), low version, 24-poles

These dimensions will be especially checked at delivery
Only inspection dimensions
With /E marked dimensions are only valid for internal use

Diese Maße werden bei Abnahme besonders geprüft
Ausschließlich Prüfmaße
Mit /E gekennzeichnete Maße sind nur für interne Zwecke gültig

Ansicht anschlussseitig
View from cable side



Technische Daten
technical data

	VDE		
Bemessungsspannung rated voltage	250V	600V	600V
Bemessungsstrom rated current	10A	8,5A	10A
Bemessungsstoßspannung rated peak voltage	2,5 kV		
Verschmutzungsgrad degrec of pollution	2		
Isoliermaterial insulating material	Polycarbonat polycarbonate		
Brennbarkeitklasse flamability rating	UL24-V0		
Temperaturbereich temperature range	-40° - +125°C		

Teile - Nr. part no.	Typ type	L±0.5	l±0.5	Polz. pole
73.810.2453.0	DD STC 24 1,5 25	50,5	44	24
73.810.4253.0	DD STC 42 1,5 25	63,5	57	42
73.810.7253.0	DD STC 72 1,5 25	84	77,5	72
73.810.0853.0	DD STC 108 1,5 25	110,5	104	108

Zubehör - Steckerkontakte (versilbert)
Accessories - plug contact (silver plated)

Bestell-Nr. / ref. no.	mm ²	AWG
05.544.4129.8	0,14 - 0,37	26-22AWG
05.544.4229.8	0,5	20 AWG
05.544.4329.8	0,75 - 1,0	18 AWG
05.544.4429.8	1,5	16 AWG
05.544.4529.8	2,5	14 AWG

Tolerierung nach DIN 7167/Tolerance system acc. to DIN 7167.
[This DIN-standard describes the envelope principle. According to the envelope principle the deviations of form and parallelism are limited by the size tolerances].

ja/yes Stoffverbots- und Deklarationsliste nach UU-TQM-05/03 ist einzuhalten.
Conformity with Wieland document UU-TQM-05/03 (list of prohibited / declarable hazardous substances) to be declared!

Freitoleranz nach - CAD - Zeichnung, keine manuellen Änderungen
General tolerance CAD - drawing, no manual modifications allowed

1. Verwendung: - Blatt: 1 von 1
First Use: Sheet: 1 of 1

Werkstoff/Material Farbe: grau ähnl. RAL 7032 colour: grey similar RAL 7032	2005 gezeichnet drawn 30.08. geprüft checked -	Tag/Date Name Hennemann V.	Zeichnung Nr./Drawing No. T 73.810.2453.0 01K	Index a
Maßstab/Scale %	Normgepr. Stand. check -		Maße in mm/Dimensions are in mm	
Vol. mm ³ Off./Surf. mm ²	Ersatz für/Replacement for: -			
a 29.11.2005/ Index Datum / Blatt Date / Sheet		wieland Elektrische Verbindungen		
Änderung/Revision		Type Benennung/Title STECKEREINSATZ male connector insert		

Weitergabe sowie Vervielfältigung dieses Dokuments, Verwertung und Mitteilung seines Inhalts sind verboten, soweit nicht ausdrücklich gestattet. Die Reproduktion, Distribution und Utilization of this document as well as the communication of its contents to others without express authorization is prohibited.

738102453001K_4_CADW1044_treschan 2005-12-01T10:01:18 1:000