

Data sheet

Commercial Art.No.: Z7.415.1035.0

Hood D-Sub IT GOSL 3 M20 0,5 4 AU

15 pole D-Sub connector, size 6, male



Commercial Art.No.	Z7.415.1035.0
EAN	4015573639614
Order Unit	10

Technical data

Classification

ECLASS 11	
ECLASS 8.1	27440202
ETIM 7.0	EC000437
ETIM 6.0	EC000437
ETIM 5.0	EC000437

General

Housing material	aluminum
Surface	Gilt
Degree of protection (IP)	Other
UV resistant	yes
Operating temperature range min.	-40 °C
Operating temperature range max.	100 °C

Connection Data

Connection type	Soldering connection
Number of poles	15
With wire protection	No
Min. conductor diameter rigid (solid/stranded)	0.2 mm ²
Max. conductor diameter rigid (solid/stranded)	0.5 mm ²

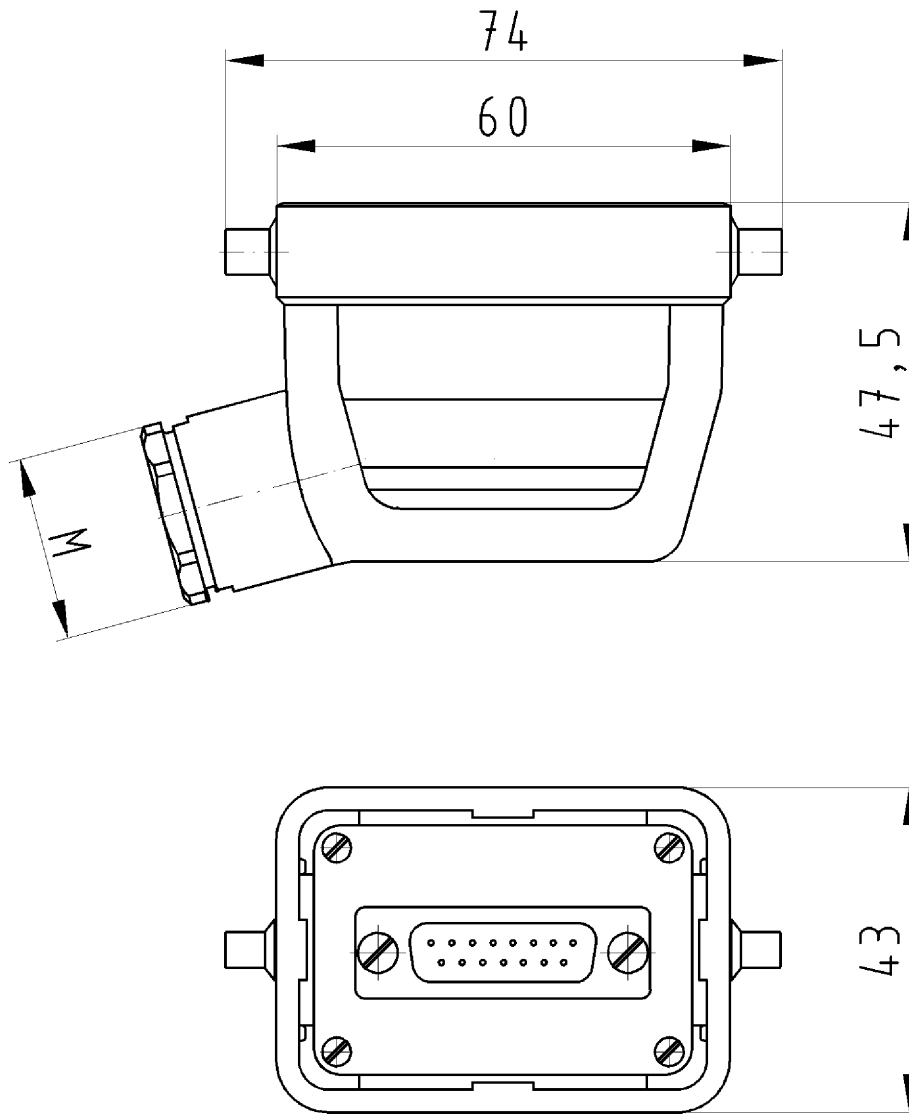
Model

Locking mechanism	Single locking lever
Cable entry	Sideways
With cable screw gland	yes
Thread size PG	
Hinged lid	No
Length	60 mm
Width	43 mm
Height	51 mm

Product compliance

ROHS conformity status	Compliant/Exempted
ROHS exceptions	III-6(c)

REACH-SVHC conformity status	Duty-To-Declare
REACH-SVHC substances	Lead
REACH-SVHC CAS numbers	7439-92-1



Steckverbindung
D-Sub
Z7.415.1035.0

Zeichnungsnummer
Z7.415.1035.010W

16.11.2007
Roppelt Dominik
M 1:1