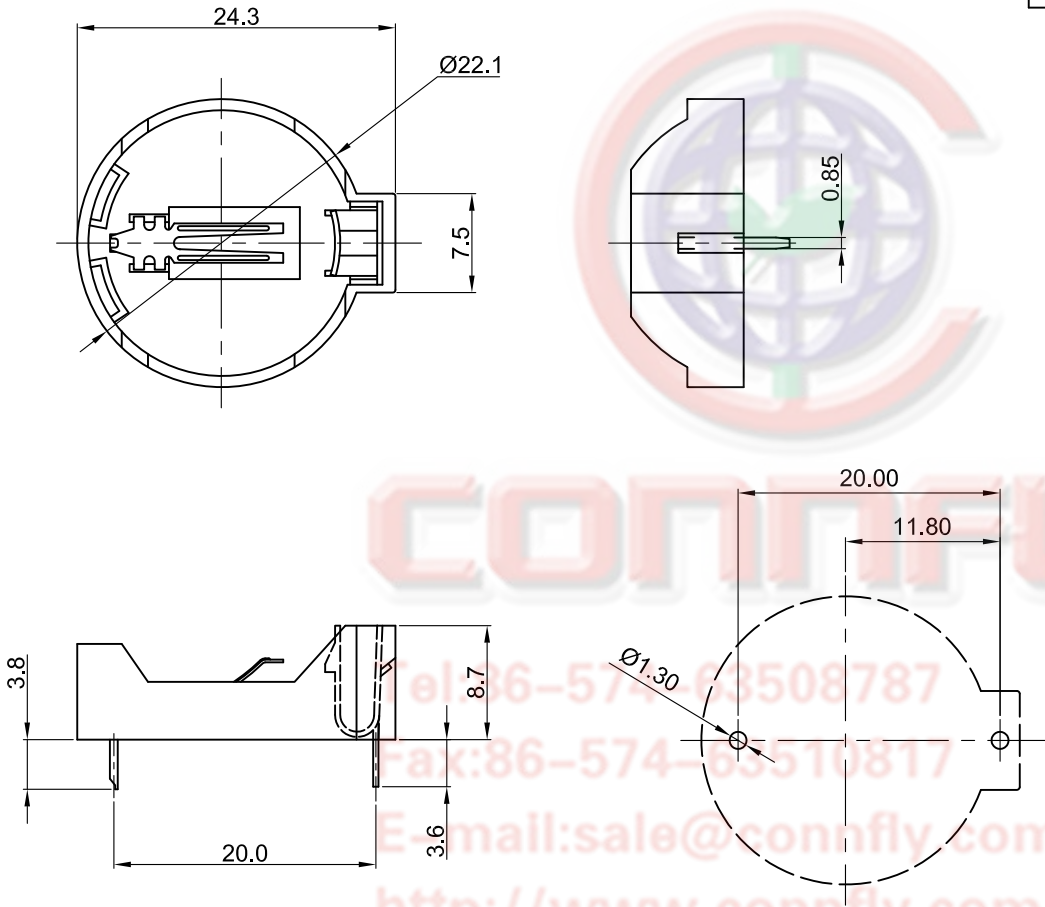


Dept	1	2	3	4	5	6	7	8
Qty								
DC	1							
ED	1							
IE	1							
ISO	1							
PD	1							
R&D	1							
SD	1							
QA	1							
QC	1							
QE	1							

REV.	DESCRIPTION	DRAWN	CHECKED	APPROVED
A	NEW RELEASE	YCH 08/07/12'		LJC 08/07/12'
E	DRAWING UPDATE	JLZ 02/27/19'		

The information provided herein is from CONNELY Electronic Co., Ltd. and is confidential. Any disclosure to a party other than the recipient is prohibited. The intellectual properties and its rights contained herein, including but not limited to, trademarks, patents, copyrights, trade secrets, and technical know-how, are owned exclusively by CONNELY or its affiliates. Unauthorized use of this information in any format or manner. CONNELY may enforce its intellectual property rights at its own discretion; failures or delays to exercise such rights does not constitute a waiver of such rights.



- NOTE:**
- Materials:
    - Base: Thermoplastic, UL94 V-0, Color of black. Temp. Range: -25°C to +85°C.
    - Positive & Negative Contacts: Copper Alloy.
  - Specification:
    - Dielectric Withstanding Voltage: AC 500V AC.
    - Insulation Resistance: 1000MΩ min.
    - Contact Resistance: 100mΩ Max.
  - Part Number Code: DS1092-04 - X X X

- Housing material: P: PA66
- Contact plating: 6: Tin
- Housing color: B: Black

Recommend PCB Layout  
Tolerance=±0.05

CONNELY  
 Tel: 86-574-63508787  
 Fax: 86-574-63510817  
 E-mail: sale@connfly.com  
 http://www.connfly.com  
 Add: East Industrial Zone, KuangYan  
 Town Cixi Ningbo China  
 P.C: 315333

GENERAL TOLERANCE		ANGLE TOLERANCE	
X.	±0.60	X.	±5°
.X	±0.38	.X	±3°
.XX	±0.25	.XX	±2°
DRAWING TYPE		CUSTOMER	
SCALE	1:1	SHEET	1 OF 1
DRAWING NO.	C-DS1092-04-XXX-E		

PROJECTION		TITLE	2032 Lithium Coin Cell Battery Holders Horizontal insert type
UNITS	mm	SHEET	DS1092-04 SERIES

**晨翔电子有限公司**  
**CONNELY CONNELY ELECTRONIC CO. LTD**