

Data sheet

Commercial Art.No.: 73.342.3235.1

Bottom HD GUT GH 32 M25 69 A1

Bottom-base revos HD made of aluminum, with double locking lever and threaded hole M25 on the right side, with protective cover, low version, 32-poles



Commercial Art.No.	73.342.3235.1
EAN	4015573759879
Order Unit	1

Technical data

General

Housing material	aluminum
Color	Grey
Surface	With powder coating
Degree of protection (IP)	Other
UV resistant	yes
Inflammability class of insulation material acc. with UL94	Other
Operating temperature range min.	-40 °C
Operating temperature range max.	120 °C

Model

Construction	32/50
Locking mechanism	Double locking levers
Cable entry	Sideways
Type of cable	Thread
With cable screw gland	No
Thread size M	25
Thread size PG	
Hinged lid	yes
EMC-version	No
Length	106 mm
Width	71 mm
Height	75 mm

Classification

ECLASS 11	
-----------	--

ECLASS 8.1	27440202
ETIM 7.0	EC000437
ETIM 6.0	EC000437
ETIM 5.0	EC000437
ETIM 4.0	EC000437
ETIM 3.0	EC000437

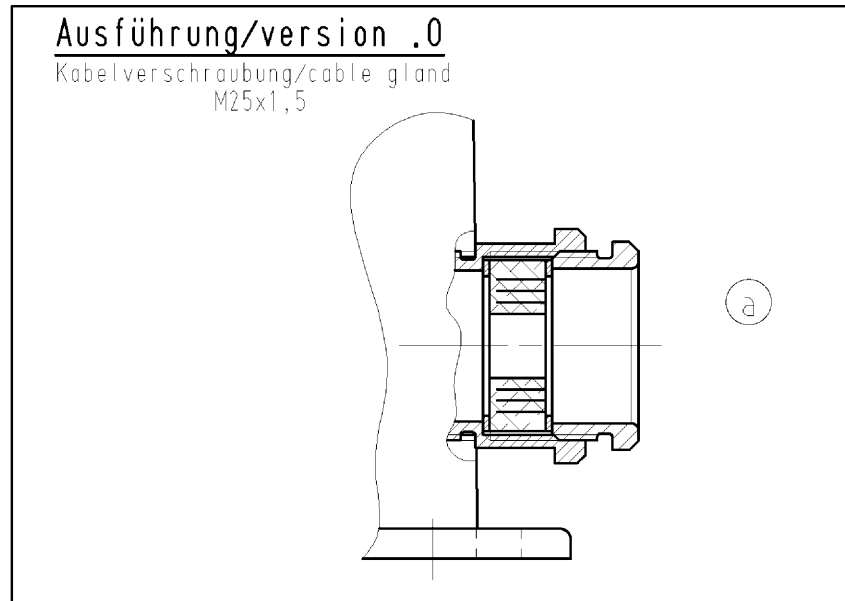
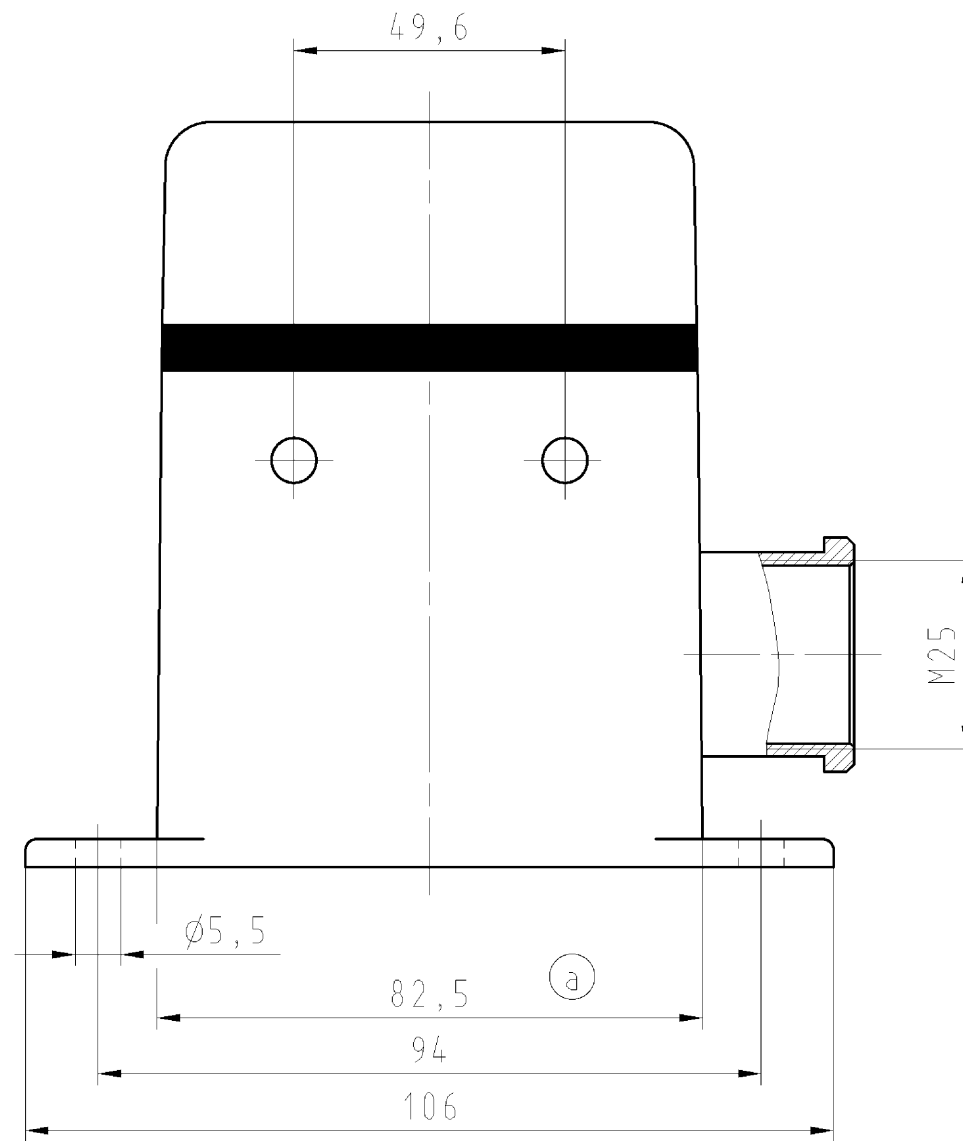
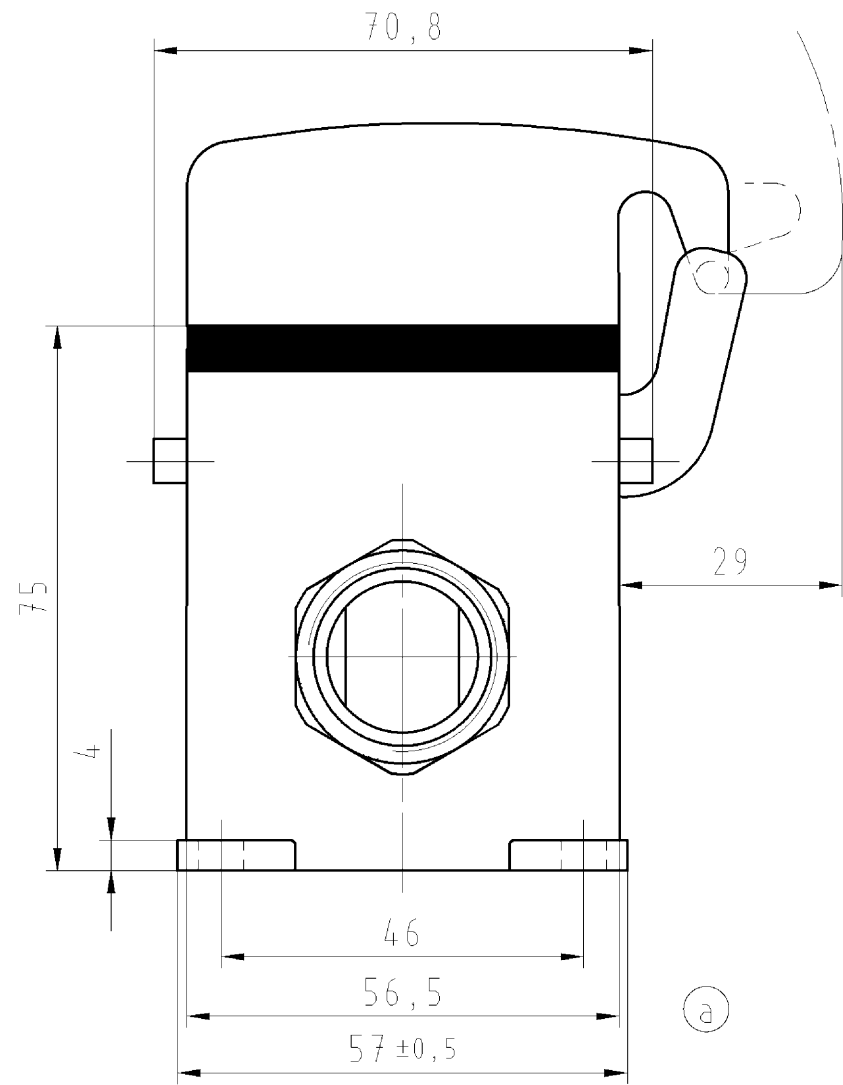
Product compliance

ROHS conformity status	Compliant
REACH-SVHC conformity status	Compliant

Fits with

Commercial Art.No.:	Article-type description:	Description:
73.300.1653.0	Female insert HD BUS 16 2,5 25 AG	revos BASIC HD 16 pole + ground, female insert 250V/16A, screw connection
73.300.1653.3	Female insert HD BUS SB 16 2,5 25 AG	revos BASIC HD 16 pole + ground, female insert, marked 17-32, 250V/16A, screw connection
73.310.1653.0	Male insert HD STS 16 2,5 25 AG	revos BASIC HD 16 pole + ground, male insert 250V/16A, screw connection
73.310.1653.3	Male insert HD STS SB 16 2,5 25 AG	revos BASIC HD 16 pole + ground, male insert, marked 17-32, 250V/16A, screw connection
73.300.3253.0	Female insert HD BUS 32 2,5 25 AG	revos BASIC HD 32 pole + ground, female insert 250V/16A, screw connection
73.310.3253.0	Male insert HD STS 32 2,5 25 AG	revos BASIC HD 32 pole + ground, male insert 250V/16A, screw connection
73.700.2553.0	Female insert HD BUC 25 25	revos HD 25 pole + ground, female insert 250V/10A, crimp connection
73.710.2553.0	Male insert HD STC 25 25	revos HD 25 pole + ground, male insert 250V/10A, crimp connection

Gezeichnete Ausführung/drawn version: 73.342.3235.1



Teile-Nr.	Typ
73.342.3235.0	HD GUT GH 32 M25 69 A0
73.342.3235.1	HD GUT GH 32 M25 69 A1

Tolerierung Size ISO 14405 (E) / Tolerance system Size ISO 14405 (E). (This ISO-standard describes the envelope principle. According to the envelope principle the deviations of form and parallelism are limited by the size tolerances).		ja/yes <input checked="" type="checkbox"/> Stoffverbots- und Deklarationsliste nach UU-TOM-05/03 ist einzuhalten. Conformity with Wieland document UU-TOM-05/03 (list of prohibited / declarable hazardous substances) to be declared!	
Freitoleranz nach General tolerance		CAD - Zeichnung, keine manuellen Änderungen CAD - drawing, no manual modifications allowed	
1. Verwendung: First Use:		Blatt: 1 von 1 Sheet: of 1	
Zeichnung Nr./Drawing No.		Index	
T 73.342.3235.0 01K		a	
Maße in mm/Dimensions are in mm			
Ersatz für/Replacement for: -		Type	
Benennung/Titel		housing lower part	
GEHAEUSEUNTERTEIL		Größe/size 32 M25 1x rechts/right mit Schutzdeckel/with protective cover	
Änderung/Revision		wieland Elektrische Verbindungen	
a 10.12.2012/ Index Datum / Blatt Date / Sheet		2004 Tag/Date Name gezeichnet drawn 12. März Postler F. geprüft checked - - Normgepr. Stand. check - -	

Weitergabe sowie Vervielfältigung dieses Dokuments, Verwertung und Mitteilung seines Inhalts sind verboten, soweit nicht ausdrücklich gestattet. The reproduction, distribution and utilization of this document as well as the communication of its contents to others without express authorization is prohibited.

733423235001K_2 CADW2035_Schnitt: 2012-12-10T10:41:54 1.000