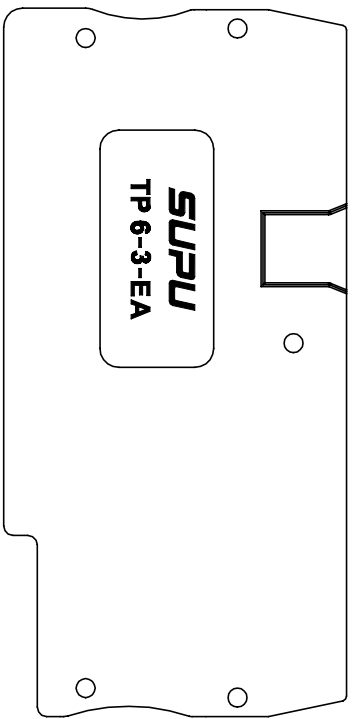
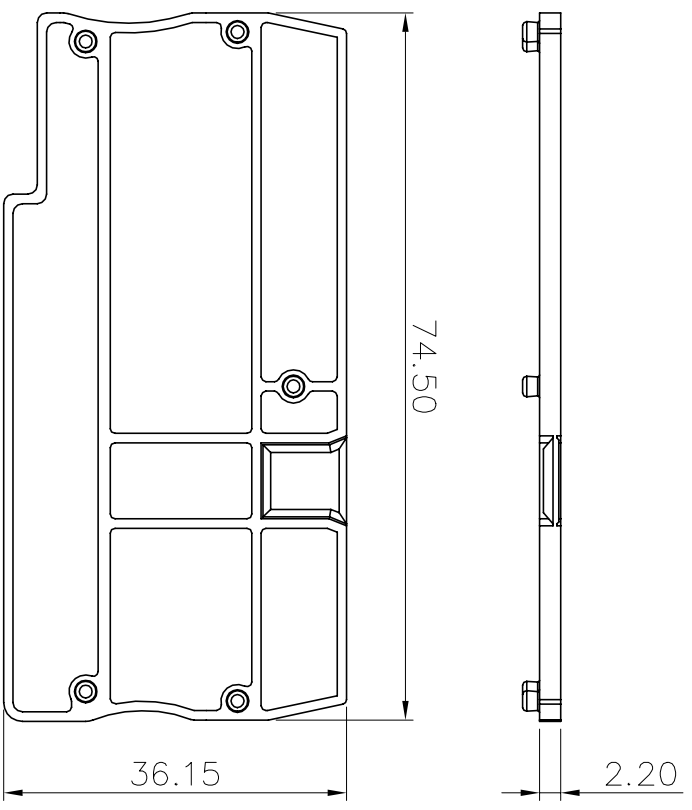


Transmittal, reproduction, dissemination and/or editing of this document as well as utilization of its contents and communication thereof to others without express authorization are prohibited.

未经允许禁止传输、复制、编辑该文档，以及利用其内容进行交流

REVISION RECORD			
REV	ECN	DESCRIPTION	DATE



NOTES:
Material:

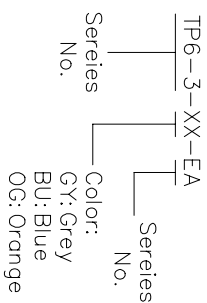
Insulator	PA66	UL94 V-0
-----------	------	----------

General information:

- Dimension shall be interpreted per ASME Y14.5-2009
- Operating temperature: -40°C~+105°C
- RoHS Compliance
- Undimensioned Tolerances:

Pitch Range in mm	Nominal Dimension Range			Tolerance			
	Over	In	Under				
6	TO	TO	TO	0.1/10			
10	TO	TO	TO	<			
24	TO	TO	TO	<			
60	TO	TO	TO	<			
100	TO	TO	TO	<			
150	TO	TO	TO	<			
±0.15	±0.20	±0.30	±0.50	±0.70	±1.00	±1.30	±2

HOW TO ORDER:



订货号 Order No.	TP6-3-XX-EA	名称 Name	TP系列直插式弹簧端子-端板	未注公差 Tolerance	表面 Surface
项目 Item	签字 Signature	图号 Drawing No.	PRM001437	版本号 Revision Number	VDI21
设计 Design	日期 Date	材料 Material	NOTES	重量 Weight	比例 Scale
审核 Check	03/28/23	物料号 Item No.	412203012 (GY)	第1页/共1页 1 of 1	1:1
工艺 Process	-	物料号 Item No.	412203013 (OC)		
标准化 Unity	-	物料号 Item No.	412203014 (BU)		
批准 Approve	xj	物料号 Item No.	412203014 (BU)		

原图号
Old Draw. No.

借通用件登记
Common Part

底图总号
Assembly No.

1 2 3 4 5 6 7 8

NINGBO SUPPU ELECTRONICS CO.,LTD.
SUPPU 宁波普普电子有限公司