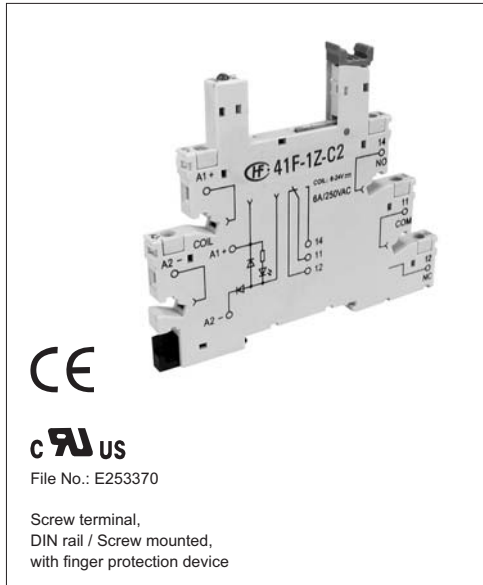


# 41F- 1Z- C2-1/2/3/4/5

# RELAY SOCKET



## CHARACTERISTICS

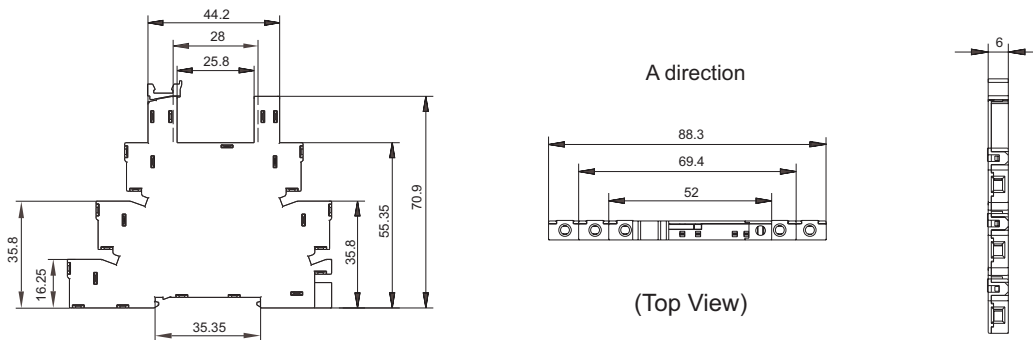
Ambient temperature :	-40 °C to 70°C
Rated voltage:	250VAC
Rated current :	6A (per pole)
Insulation voltage (Min.) :	5000VAC
Protection degree DIN40050 :	IP20
Socket material :	PA66+GF V0 (UL)
Contacts spring material :	QSn6.5-0.1
Retainer :	non-available
Modules (on request):	self-contained
Terminal torque :	0.6Nm
Wire strip length :	7mm
Applicable relay type:	HF41F

- Notes:** The functions of modules:
- (1) LED indicates the coil energizing state.
  - (2) Eliminating negative current of relays.
  - (3) Rectifying function (only for VDC/VAC types).

## DIMENSIONS, PC BOARD LAYOUT AND WIRING DIAGRAM

Unit: mm

### Outline Dimensions



HONGFA RELAY  
ISO9001、ISO/TS16949、ISO14001、OHSAS18001 CERTIFIED

2007 Rev. 1.00

## CORRESPONDING INFORMATION WITH RELAY'S COIL VOLTAGE

Order Number	Input voltage	Relay's applicable coil voltage	Remark
41F-1Z-C2-1	6 to 24VDC/VAC	6 to 24VDC	No requirement on polarity of input voltage
41F-1Z-C2-2	48 to 60VDC/VAC	48 to 60VDC	No requirement on polarity of input voltage
41F-1Z-C2-3	110 to 125VDC/VAC	60VDC	No requirement on polarity of input voltage
41F-1Z-C2-4	220 to 240VDC/VAC	60VDC	No requirement on polarity of input voltage
41F-1Z-C2-5	6 to 24VDC	6 to 24VDC	Requirement on polarity of input voltage

## ORDERING INFORMATION

<b>Type</b>	41F /	1Z	C2	1
<b>Contact arrangement</b>	1Z: 1 pole			
<b>Termination &amp; Mounting</b>	C2: Screw terminal, DIN rail with finger protection device			
<b>Voltage of module</b>	1, 2, 3, 4, 5: See table above for corresponding information with relay's coil voltage			