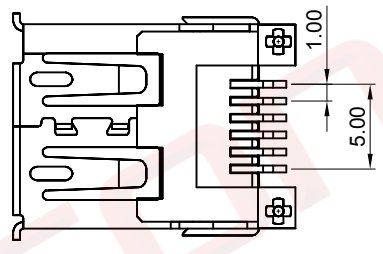
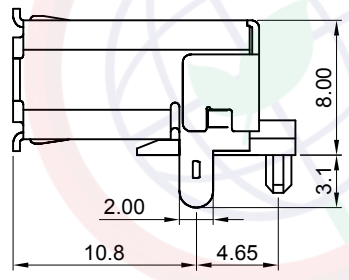
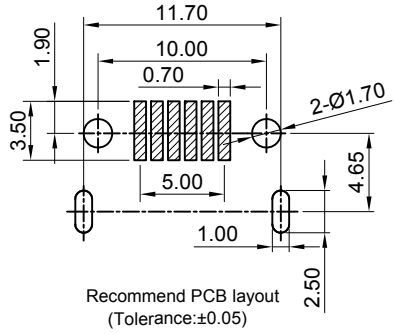
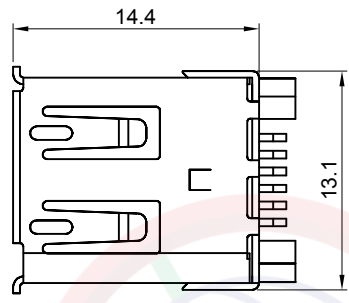
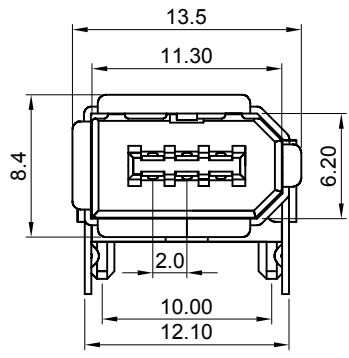


Dept	
Qty	
DC	1
ED	1
IE	1
ISO	1
PD	1
R&D	1
SD	1
QA	1
QC	1
QF	1

The information provided herein is from CONNELY Electronic Co., Ltd. and is confidential. Any disclosure to a party other than the recipient is prohibited. The intellectual properties and its rights contained herein, including but not limited to, trademarks, patents, copyrights, trade secrets, and technical know-how, are owned exclusively by CONNELY or its affiliates. Unauthorized use or reproduction of any part of this document is strictly prohibited. CONNELY may enforce its intellectual property rights at its own discretion, failures or delays to exercise such rights does not constitute a waiver of such rights.

REV.	DESCRIPTION	DRAWN	CHECKED	APPROVED
A	NEW RELEASE	LL 01/13/07'		LJC 01/13/07'
B	DRAWING UPDATE	JLZ 06/21/17'		
C	DRAWING UPDATE	JLZ 12/23/20'		

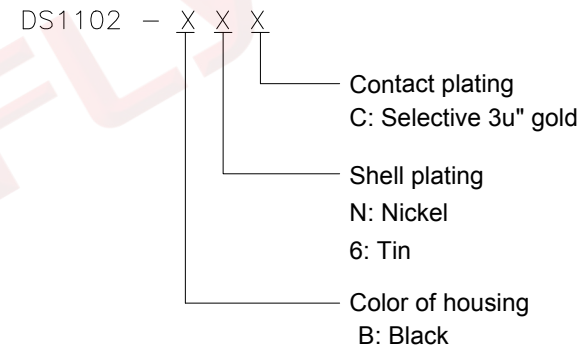


(Series Image-Reference Only)

NOTES:

- Specifications
 - Contact Resistance: 50mΩ max
 - Insulator Resistance: 100MΩ min.
 - Current Rating: 1.5 A.
 - Rated Voltage: 30V DC
 - Dielectric withstanding voltage: AC 100V For 1 minute
 - Contact: Copper Alloy
 - Housing: Thermoplastic(UL 94V-0)

2. Product number code:



GENERAL TOLERANCE		ANGLE TOLERANCE		PROJECTION		TITLE	
X.	±0.60	X.	±5°	UNITS	mm	IEEE 1394 Female 6Pin SMD Type	
.X	±0.38	.X	±3°	SHEET SIZE	A4	SERIES	DS1102 SERIES
.XX	±0.25	.XX	±2°	晨翔电子有限公司 CONNFLY ELECTRONIC CO. LTD			
DRAWING TYPE		CUSTOMER					
SCALE	1:1	SHEET	1 OF 1				
DRAWING NO.		C-DS1102-XXX-C					