

## Data sheet

Commercial Art.No.: 96.151.2053.6

Device connector RST20i5C B1 M00 A TB0

RST20i5 device connector M20, 5 pole, female, for crimp contacts, modular, application 250V with PE, 20A, coding color turquoise blue, color of housing black



Commercial Art.No.	96.151.2053.6
EAN	4015573934009
Order Unit	1

Certificates / Approvals



## Technical data

### General

Rated current	20 A
Rated voltage	250 V
Pollution degree	3
Rated impulse voltage	4 kV
Lockable	self-locking (unlocking by tool)
Color of coding/ contact carrier	turquoise blue
Marking of poles	D1, D2, L, PE, N
Color of separate adapter (if present)	black

### Connection Data

Connection cross section fine stranded mm <sup>2</sup> max.	4 mm <sup>2</sup>
Connection cross section fine stranded mm <sup>2</sup> min.	0.75 mm <sup>2</sup>
Terminations per pole	1
Wire strip length	7 mm
Connection cross section stranded AWG min.	18 AWG
Connection cross section stranded AWG max.	12 AWG

### Model

Model	female
Connection type	Crimp
Connecting thread metric	M20
Angle of plug	straight
Degree of protection (IP)	IP66/68 (3m;2h) /IP69
Thickness of housings (electrical device) 2	0.5 mm
Thickness of housings (electrical device)	8 mm

**Material**

Housing material	Polyamide
halogen free	yes
Contact material	CuZn
Fire load	0.203 kWh
Insulation components continuous temperature	100 °C
Surface finish	Silver-plated

**Dimensions**

Length	68.2 mm
Width	34.6 mm
Height	34.6 mm

**Classification**

ECLASS 11	
ECLASS 8.1	27440602
ETIM 7.0	EC002566
ETIM 6.0	EC002566
ETIM 5.0	EC002566
ETIM 4.0	EC002566

**Note**

Note	Crimp contacts have to ordered separately (under fits with); Positioning realised with flattened thread
------	--

**Product compliance**

ROHS conformity status	Compliant
REACH-SVHC conformity status	Compliant

**Accessories**

Commercial Art.No.:	Article-type description:	Description:
02.125.5521.8	Female contact CRIMP RST20i4/i5 1,0QMM	RST20i5/4 crimp contact, female, 20A, for cross section 0.75-1.0 mm <sup>2</sup> /AWG17
02.125.5621.8	Female contact CRIMP RST20i4/i5 1,5QMM	RST20i5/4 crimp contact, female, 20A, for cross section 1.5 mm <sup>2</sup> /AWG16
02.125.5721.8	Female contact CRIMP RST20i4/i5 2,5QMM	RST20i5/4 crimp contact, female, 20A, for cross section 2.5 mm <sup>2</sup> /AWG14
02.125.5821.8	Female contact CRIMP RST20i4/i5 4,0QMM	RST20i5/4 crimp contact, female, 20A, for cross section 4 mm <sup>2</sup> /AWG12
99.530.0000.7	Cover for female connector SW	RST20i5/4 cover piece, for covering unused female connectors, with fastening belt, color black
Z5.565.9853.1	Cover for female connector SW	RST20i5/4 cover piece, for covering unused female connectors, color black
05.564.8653.1	Opener RST20i3/i5 SCHWARZ	Manual disconnect for later installation of RST connectors, color black

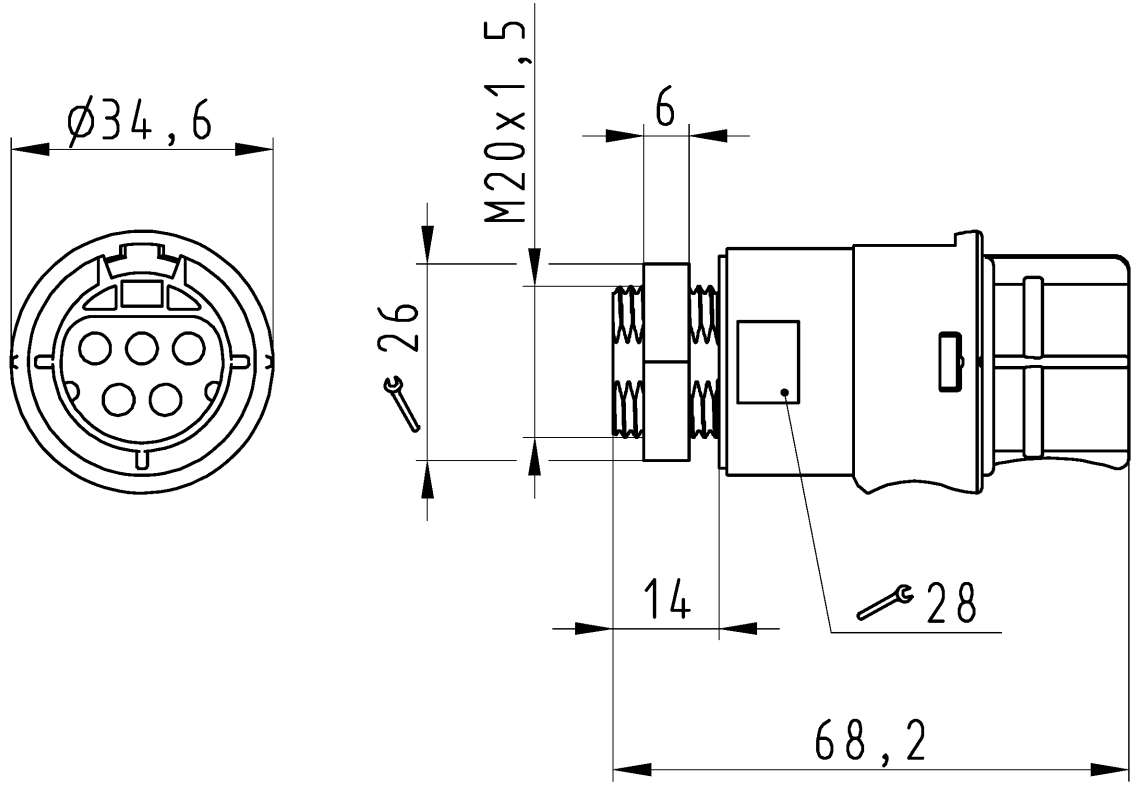
**Fits with**

Commercial Art.No.:	Article-type description:	Description:

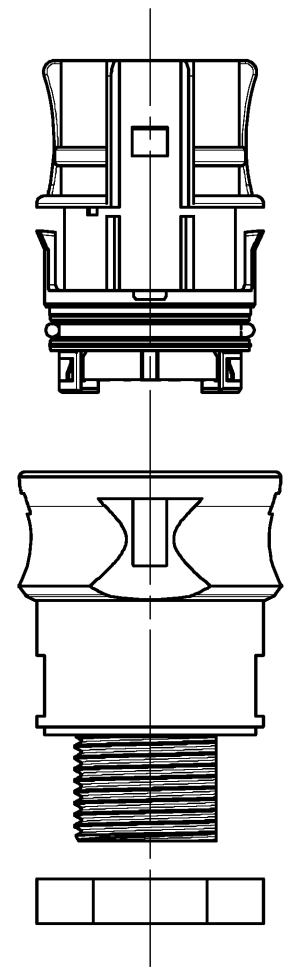
96.152.0053.6	Connector RST20I5C S1 ZR1SVA TB0	RST20i5 connector, 5 pole, male, for crimp contacts, application 250V with PE, 20A, for cable diameters 6-10mm, coding color turquoise blue, color of housing black
96.152.0153.6	Connector RST20I5C S1 ZR2SVA TB0	RST20i5 connector, 5 pole, male, for crimp contacts, application 250V with PE, 20A, for cable diameters 10-14mm, coding color turquoise blue, color of housing black
96.152.0553.6	Connector RST20I5C S1 ZR12VA TB0	RST20i5 connector, 5 pole, male, for crimp contacts, application 250V with PE, 20A, for cable diameters 14-18mm, coding color turquoise blue, color of housing black
96.154.0053.6	Connector RST20I5C S1 YR1SV TB04	RST20i5 connector (90° angled), 5 pole, male, for crimp contacts, application 250V with PE, 20A, for cable diameters 6-10mm, coding color turquoise blue, color of housing black
96.154.0153.6	Connector RST20I5C S1 YR2SV TB04	RST20i5 connector (90° angled), 5 pole, male, for crimp contacts, application 250V with PE, 20A, for cable diameters 10-14mm, coding color turquoise blue, color of housing black

These dimensions will be especially checked at delivery  
 Only inspection dimensions  
 With /E marked dimensions are only valid for internal use

Diese Maße werden bei Abnahme besonders geprüft  
 Ausschließlich Prüfmaße  
 Mit /E gekennzeichnete Maße sind nur für interne Zwecke gültig

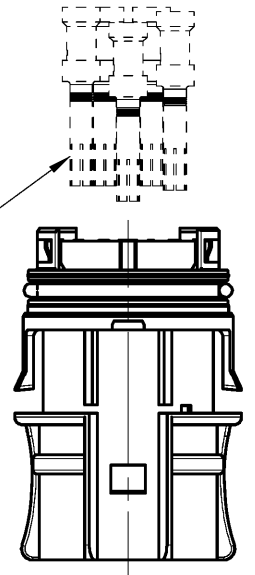


**Auslieferungszustand**  
 delivery status

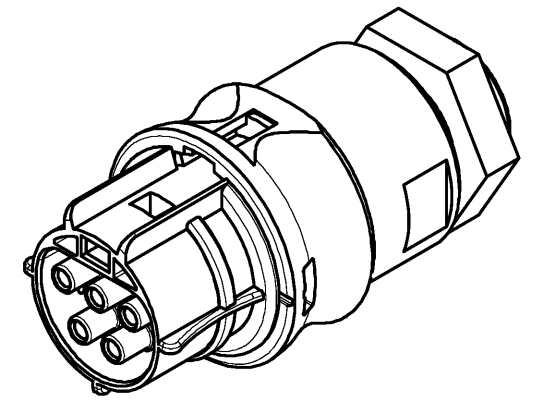


Verpackungseinheit: je 100 Stück  
 packaging unit: per 100

**Bestellhinweis**  
 /order info



Buchsenkontakte/ female contact  
 Bitte separat bestellen  
 /must be ordered separately  
 02.125.55/56/57/5821.8



96.151.2053.6	RST2015C B1 M00VA TB04	türkisblau /turquoise blue
Bestellnummer /Order number	Typ /Type	Farbe /color
<b>Weitere Daten siehe KATALOG oder eKatalog.</b> Additional data see CATALOG or eCatalog.		<b>www.wieland-electric.com</b> eshop.wieland-electric.com

Tolerierung Size ISO 14405(®)/Tolerance system Size ISO 14405(®).  
 (This ISO-standard describes the envelope principle. According to the envelope principle the deviations of form and parallelism are limited by the size tolerances).

ja/yes  Stoffverbots- und Deklarationsliste nach WN 5020.010 ist einzuhalten.  
 Conformity with Wieland document WN 5020.010 e (list of prohibited / declarable hazardous substances) to be declared!

Freitoleranz nach General tolerance		CAD - Zeichnung, keine manuellen Änderungen CAD - drawing, no manual modifications allowed		1.Verwendung: First Use:		Blatt: 1 von 1 Sheet: of 1	
/		Werkstoff/Material		2015 Tag/Date Name		Zeichnung Nr./Drawing No.	
/		Maßstab/Scale		gezeichnet drawn		96.151.2053.6 13K	
/		1:1		geprüft checked		Index	
/		Vol. mm³ Of l./Surf. mm²		Normgepr. Stand. check		Maße in mm/Dimensions are in mm	
/		Vol. mm³ Of l./Surf. mm²		Ersatz für/Replacement for: -			
/		www.wieland www.wieland-electric.com		Type		Benennung/Title	
Index Datum / Blatt Date / Sheet						BUCHSENTEIL female connector	
Änderung/Revision							

Öffnungsbild siehe 96.031.2053.1 14K  
 opening dimension see 96.031.2053.1 14K