

## Data sheet

Commercial Art.No.: 91.952.3453.0

Connector GST15i5S S1 ZW1 W PB01

GST15i5 connector, 5 pole, male, with screw connection (angled), for cable diameters 6-11.5 mm, coding mains 250 V + not SELV, 16 A, coding color pastel blue, strain relief color white



Commercial Art.No.	91.952.3453.0
EAN	4015573911550
Order Unit	1

Certificates / Approvals



## Technical data

### General

Rated current	16 A
Rated voltage	250 V / 400 V
Rated impulse voltage	4 kV
strain relief	yes
Pollution degree	2
Mechanical coding	yes
Lockable	self-locking (unlocking by tool)
Color of coding/ contact carrier	pastel blue
Marking of poles	L, N, PE, D2, D1
Color of housing inclusive strain relief	white

### Connection Data

Cable diameter max.	11.5 mm
Cable diameter min.	6 mm
Connection cross section solid mm <sup>2</sup> max.	2.5 mm <sup>2</sup>
Connection cross section solid mm <sup>2</sup> min.	0.5 mm <sup>2</sup>
Connection cross section fine stranded mm <sup>2</sup> max.	2.5 mm <sup>2</sup>
Connection cross section fine stranded mm <sup>2</sup> min.	0.5 mm <sup>2</sup>
Terminations per pole	1
sheath strip length	32 mm
Wire strip length	8 mm

### Model

Model	male
Connection type	screw connection

Degree of protection (IP)	IP20
---------------------------	------

**Material**

Housing material	Polyamide
halogen free	yes
Contact material	CuZn
Fire load	0.108 kWh
Insulation components continuous temperature	100 °C
Surface finish	Silver-plated

**Dimensions**

Length	63 mm
Width	32.6 mm
Height	15 mm

**Classification**

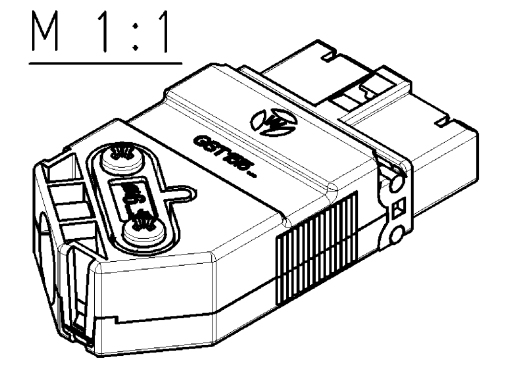
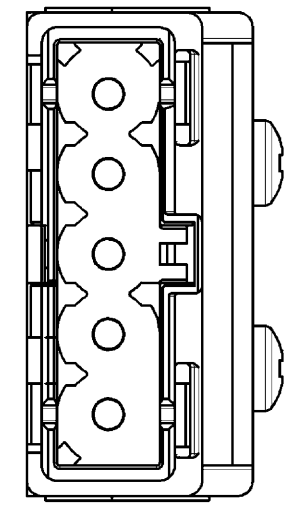
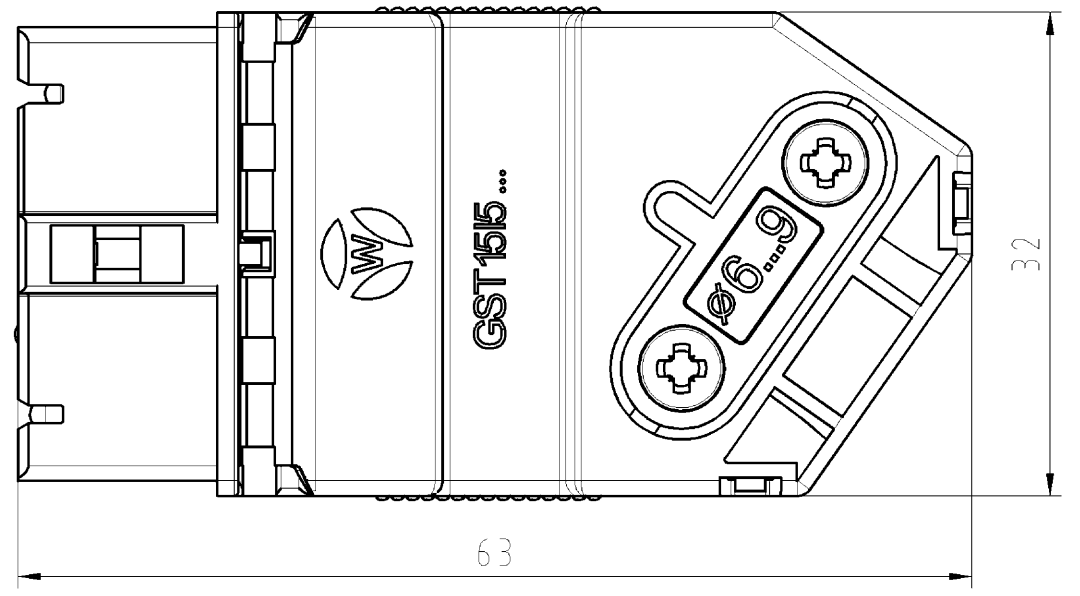
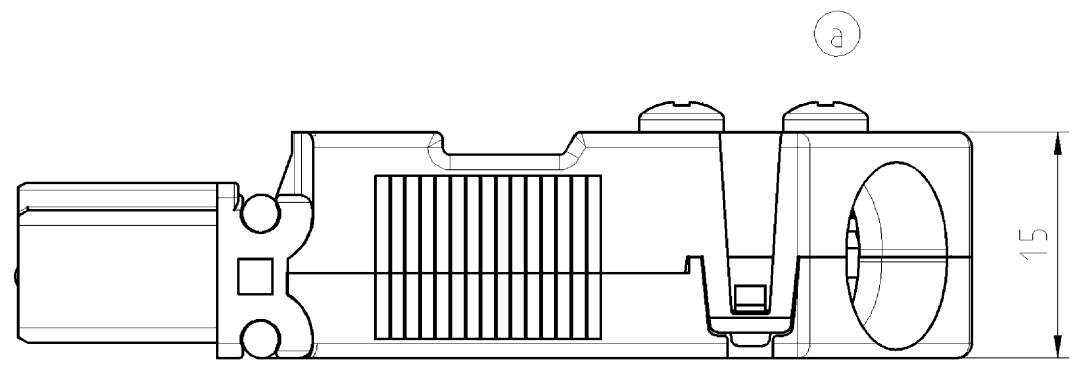
ECLASS 11	
ECLASS 8.1	27440605
ETIM 7.0	EC002560
ETIM 6.0	EC002560
ETIM 5.0	EC002560
ETIM 4.0	EC002560

**Product compliance**

ROHS conformity status	Compliant/Exempted
ROHS exceptions	III-6(c)
REACH-SVHC conformity status	Duty-To-Declare
REACH-SVHC substances	Lead
REACH-SVHC CAS numbers	7439-92-1

These dimensions will be especially checked at delivery  
 Only inspection dimensions  
 With /E marked dimensions are only valid for internal use

Diese Maße werden bei Abnahme besonders geprüft  
 Ausschließlich Prüfmaße  
 Mit /E gekennzeichnete Maße sind nur für interne Zwecke gültig



Teile-Nr./ part number:	Material:	Farbe/ colour:
91.952.3453.0	PA UL94-V0 halogenfrei/ halogen-free	weiß/ white
91.952.3453.1	PA UL94-V0 halogenfrei/ halogen-free	schwarz/ black

Tolerierung nach DIN 7167/Tolerance system acc. to DIN 7167. (This DIN-standard describes the envelope principle. According to the envelope principle the deviations of form and parallelism are limited by the size tolerances).		ja/yes <input checked="" type="checkbox"/> Stoffverbots- und Deklarationsliste nach UU-TQM-05/03 ist einzuhalten. Conformity with Wieland document UU-TQM-05/03 (list of prohibited / declarable hazardous substances) to be declared!	
Freitoleranz nach General tolerance		CAD - Zeichnung, keine manuellen Änderungen CAD - drawing, no manual modifications allowed	1.Verwendung: - First Use:
		2009 gezeichnet drawn	Tag/Date 19.02.
		geprüft checked	Name Hollet
		Normgepr. Stand. check	
		Zeichnung Nr./Drawing No.	
		T 91.952.3453.0 01K a	
		Maße in mm/Dimensions are in mm	
		Ersatz für/Replacement for: -	
		Type	Benennung/Title
		STECKERT_M_ZUGENTL	
		male connector with strain relief 250/400V 16A	
		Dimmen/ dimming	
Änderung/Revision			

Weitergabe sowie Vervielfältigung dieses Dokuments, Verwertung und Mitteilung seines Inhalts sind verboten, soweit nicht ausdrücklich gestattet.  
 The reproduction, distribution and utilization of this document as well as the communication of its contents to others without express authorization is prohibited.

919523453001K\_4\_CADW2037\_Dualsch 2010-12-07T08:53:41 1.000