

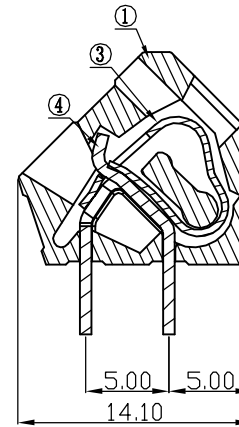
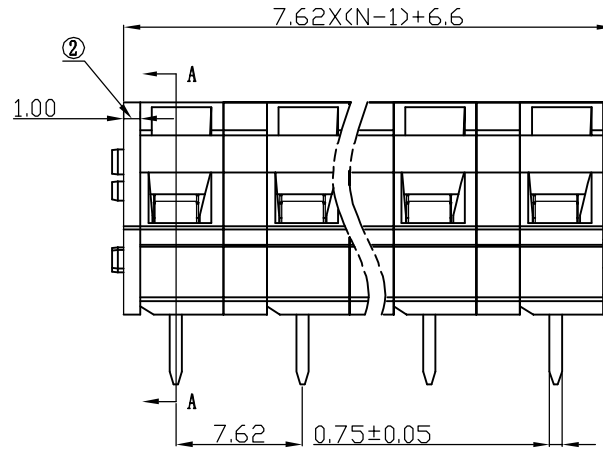
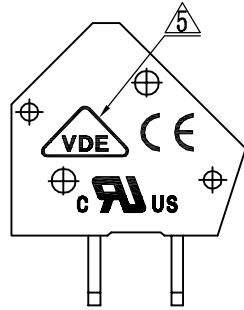
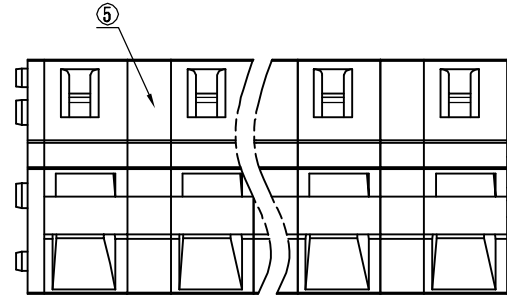
REVISION RECORD				
REV	ECD	DESCRIPTION	DRFT	DATE
△		图面更新	WF	01/31/07
△		增加UL刻字	CSX	07/21/07
△		品名、料号增加环保标示“(H)”	LJH	12/08/07
△		修改参数	Zengy	12/20/08
△	10-0080	增加“VDE”刻字	Jinbai, Lan	04/16/10

Notes:

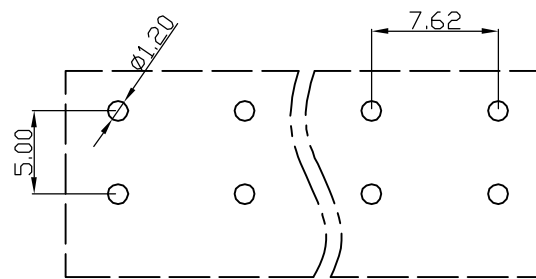
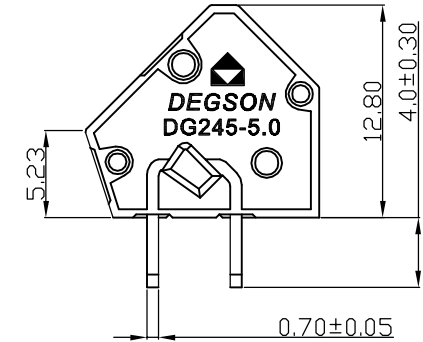
1. Pitch: 7.62mm, Poles: XXP
2. Rated voltage/current: UL 300V/15A
IEC 250V/16A
3. Operation temperatures: -40°C ~ +105°C
4. Withstanding Voltage: AC2000V/1Min
5. Insulation Resistance: 5000MΩ/DC1000V
6. Wire Range: 28~12AWG, 2.5mm²
7. Undimensioned Tolerances:



Pitch range in mm		Nominal dimension range in mm				
to 6	over 6 to 10	over 10 to 24	over 30 to 60	over 60 to 100	over 100 to 150	
±0.10	±0.15	±0.25	±0.2	±0.3	±0.5	±0.7
						±1.0
						0.005/√L



SECTION A-A



TOP VIEW-LAYOUT

5	DG245-7.62-Clapboard	3033H0Y01A (H)	XX-1	PA66	UL94V-0
4	DG245 Pin header	3025B00010 (H)	XX	Phosphor bronze	SnCe
3	DG242 Spring	X000000990 (H)	XX	Stainless steel	
2	DG245-5.0-COVER	3025C0Y01A (H)	1	PA66	UL94V-0
1	DG245-5.0-HOUSING	3025A0Y01A (H)	XX	PA66	UL94V-0

ITEM	NAME OF PART	NO. OF PART	Q'TY	MATERIAL	NOTES																																									
<table border="0"> <tr> <td rowspan="4" style="writing-mode: vertical-rl; transform: rotate(180deg);">DETACHED LISTS</td> <td>MM (INCH)</td> <td>DRFT LYK</td> <td>DATE 12/13/06</td> <td colspan="2" rowspan="4"> 宁波高正电子有限公司 DEGSON ELECTRONICS CO., LTD </td> </tr> <tr> <td>TOLERANCES EXCEPT AS NOTED</td> <td>CHKD</td> <td>DATE</td> </tr> <tr> <td></td> <td>MFD</td> <td>DATE</td> </tr> <tr> <td></td> <td>APPVL</td> <td>DATE</td> </tr> <tr> <td>MM</td> <td>±</td> <td colspan="2">MATERIAL :</td> <td colspan="2" rowspan="3"> NAME DG245-7.62-XXP-1Y-00A(H) </td> </tr> <tr> <td>.0 ±</td> <td>±</td> <td colspan="2">G.E :</td> </tr> <tr> <td>.00 ±</td> <td>±</td> <td colspan="2">FINISH:</td> </tr> <tr> <td colspan="2">ANGLES ± 1°</td> <td colspan="2">SCALE :</td> <td colspan="2">DRAWING NO. DG245-7.62-E01</td> </tr> <tr> <td colspan="2">THIRD ANGLE PROJECTION</td> <td colspan="2">DO NOT SCALE DRAWING</td> <td>SIZE A3</td> <td>REV T5 04/16/10</td> </tr> </table>						DETACHED LISTS	MM (INCH)	DRFT LYK	DATE 12/13/06	宁波高正电子有限公司 DEGSON ELECTRONICS CO., LTD		TOLERANCES EXCEPT AS NOTED	CHKD	DATE		MFD	DATE		APPVL	DATE	MM	±	MATERIAL :		NAME DG245-7.62-XXP-1Y-00A(H)		.0 ±	±	G.E :		.00 ±	±	FINISH:		ANGLES ± 1°		SCALE :		DRAWING NO. DG245-7.62-E01		THIRD ANGLE PROJECTION		DO NOT SCALE DRAWING		SIZE A3	REV T5 04/16/10
DETACHED LISTS	MM (INCH)	DRFT LYK	DATE 12/13/06	宁波高正电子有限公司 DEGSON ELECTRONICS CO., LTD																																										
	TOLERANCES EXCEPT AS NOTED	CHKD	DATE																																											
		MFD	DATE																																											
		APPVL	DATE																																											
MM	±	MATERIAL :		NAME DG245-7.62-XXP-1Y-00A(H)																																										
.0 ±	±	G.E :																																												
.00 ±	±	FINISH:																																												
ANGLES ± 1°		SCALE :		DRAWING NO. DG245-7.62-E01																																										
THIRD ANGLE PROJECTION		DO NOT SCALE DRAWING		SIZE A3	REV T5 04/16/10																																									

H
G
F
E
D
C
B
A