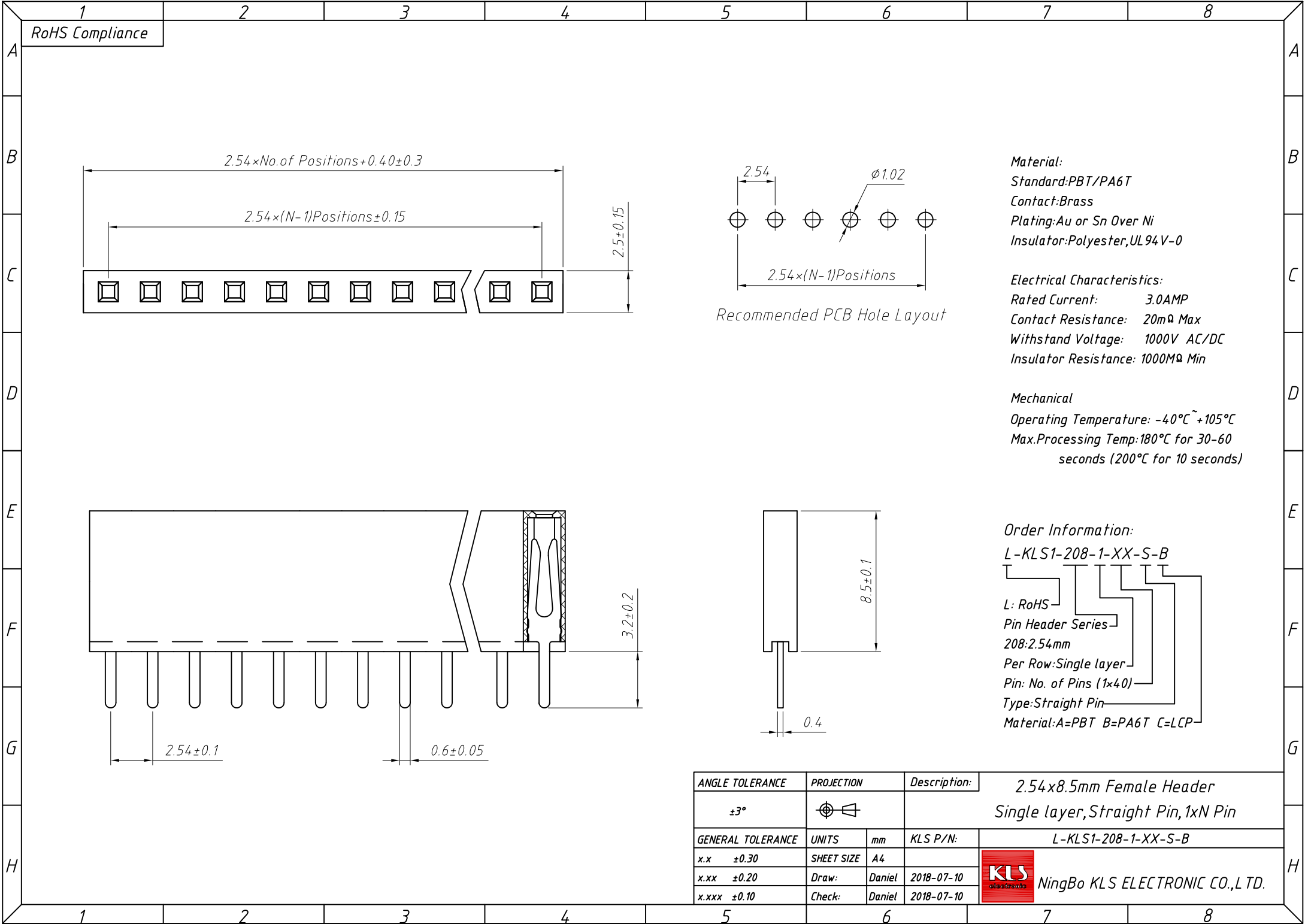


1
RoHS Compliance



Material:
 Standard: PBT/PA6T
 Contact: Brass
 Plating: Au or Sn Over Ni
 Insulator: Polyester, UL 94V-0

Electrical Characteristics:
 Rated Current: 3.0AMP
 Contact Resistance: 20mΩ Max
 Withstand Voltage: 1000V AC/DC
 Insulator Resistance: 1000MΩ Min

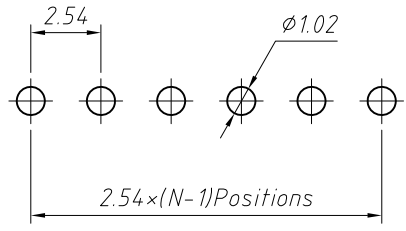
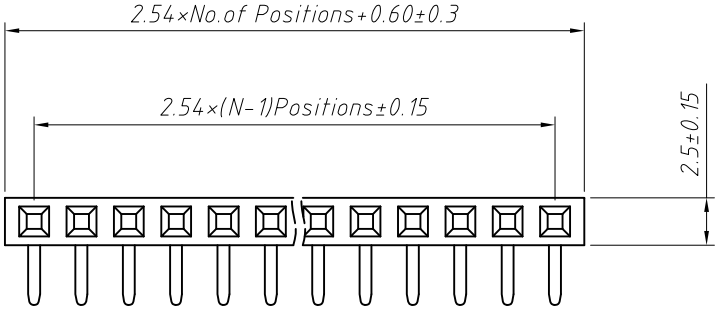
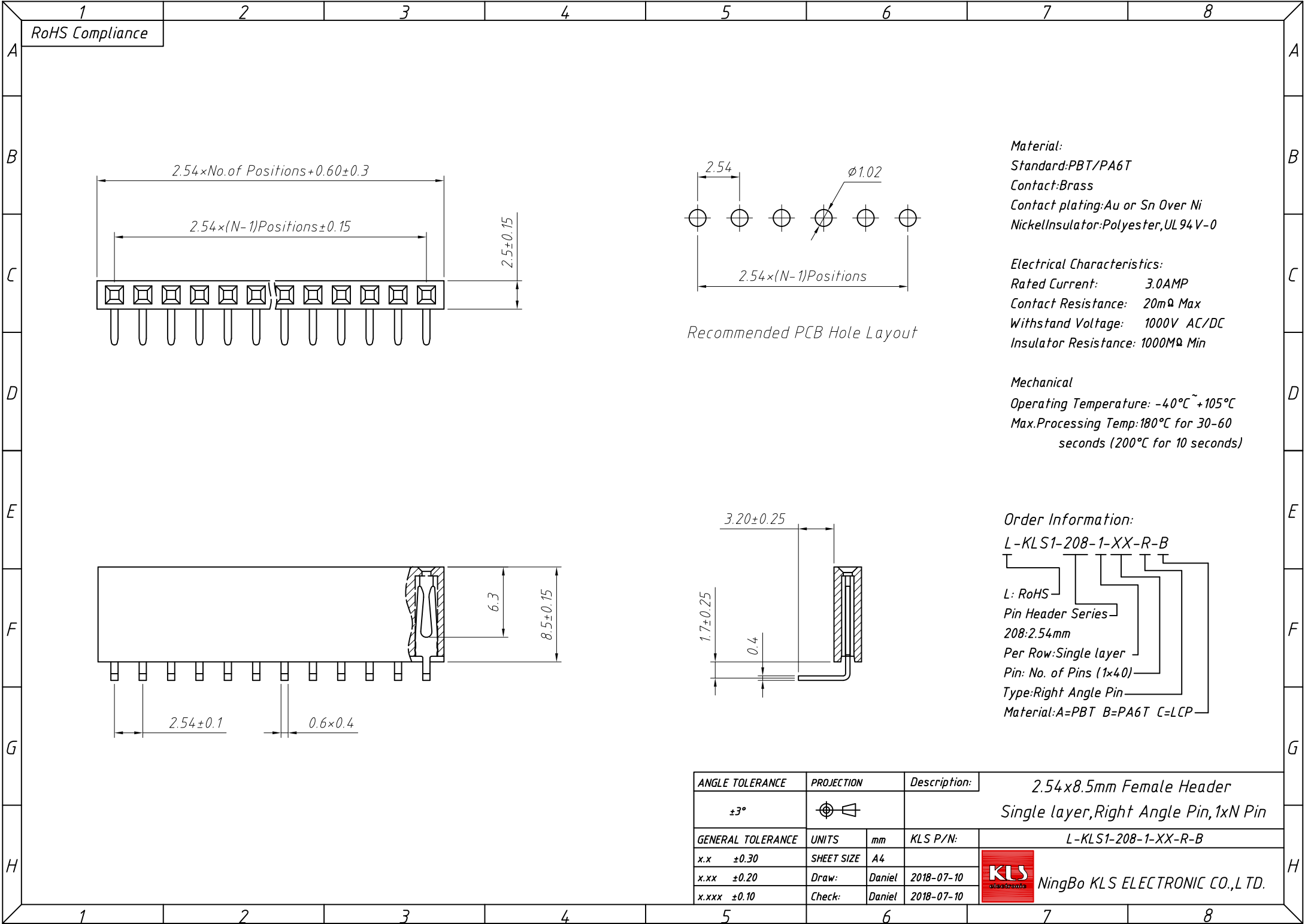
Mechanical
 Operating Temperature: -40°C ~ +105°C
 Max. Processing Temp: 180°C for 30-60 seconds (200°C for 10 seconds)

Order Information:
 L-KLS1-208-1-XX-S-B
 L: RoHS
 Pin Header Series
 208: 2.54mm
 Per Row: Single layer
 Pin: No. of Pins (1x40)
 Type: Straight Pin
 Material: A=PBT B=PA6T C=LCP

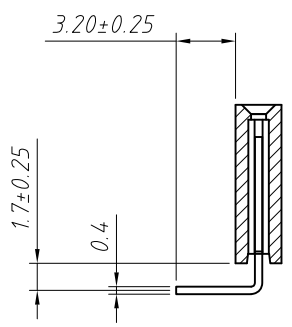
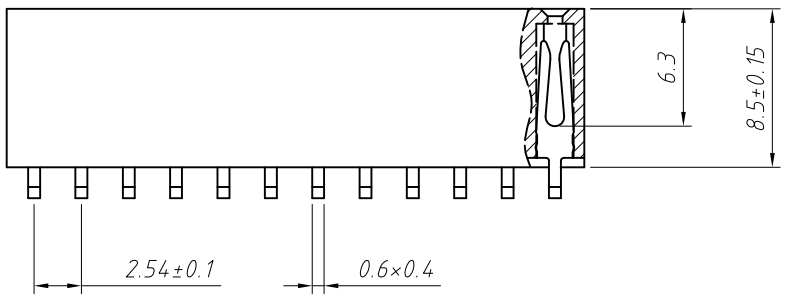
ANGLE TOLERANCE	PROJECTION	Description:	2.54x8.5mm Female Header
±3°			Single layer, Straight Pin, 1xN Pin
GENERAL TOLERANCE	UNITS	mm	KLS P/N:
x.x ±0.30	SHEET SIZE	A4	L-KLS1-208-1-XX-S-B
x.xx ±0.20	Draw:	Daniel	2018-07-10
x.xxx ±0.10	Check:	Daniel	2018-07-10



1
RoHS Compliance



Recommended PCB Hole Layout



Material:
 Standard:PBT/PA6T
 Contact:Brass
 Contact plating: Au or Sn Over Ni
 Nickel Insulator: Polyester, UL94V-0

Electrical Characteristics:
 Rated Current: 3.0AMP
 Contact Resistance: 20mΩ Max
 Withstand Voltage: 1000V AC/DC
 Insulator Resistance: 1000MΩ Min

Mechanical
 Operating Temperature: -40°C ~ +105°C
 Max. Processing Temp: 180°C for 30-60 seconds (200°C for 10 seconds)

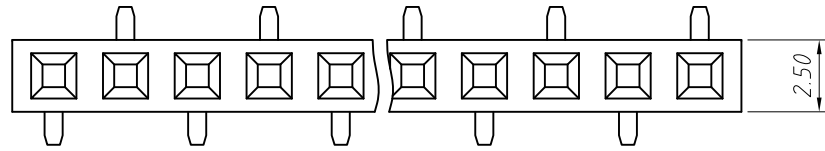
Order Information:
 L-KLS1-208-1-XX-R-B

L: RoHS
 Pin Header Series
 208: 2.54mm
 Per Row: Single layer
 Pin: No. of Pins (1x40)
 Type: Right Angle Pin
 Material: A=PBT B=PA6T C=LCP

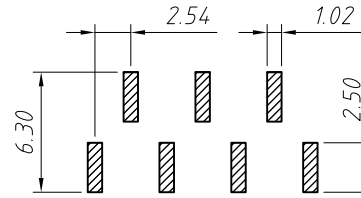
ANGLE TOLERANCE	PROJECTION	Description:	2.54x8.5mm Female Header	
±3°			Single layer, Right Angle Pin, 1xN Pin	
GENERAL TOLERANCE	UNITS	mm	KLS P/N:	L-KLS1-208-1-XX-R-B
x.x ±0.30	SHEET SIZE	A4		
x.xx ±0.20	Draw:	Daniel	2018-07-10	
x.xxx ±0.10	Check:	Daniel	2018-07-10	

NingBo KLS ELECTRONIC CO.,L TD.

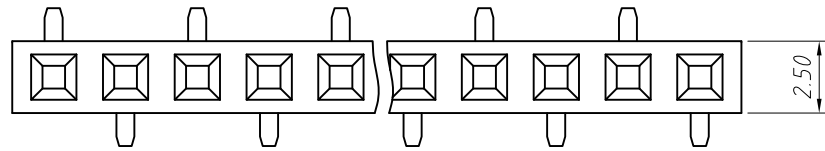
1 RoHS Compliance



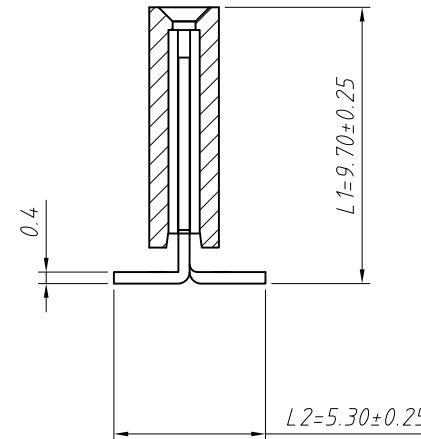
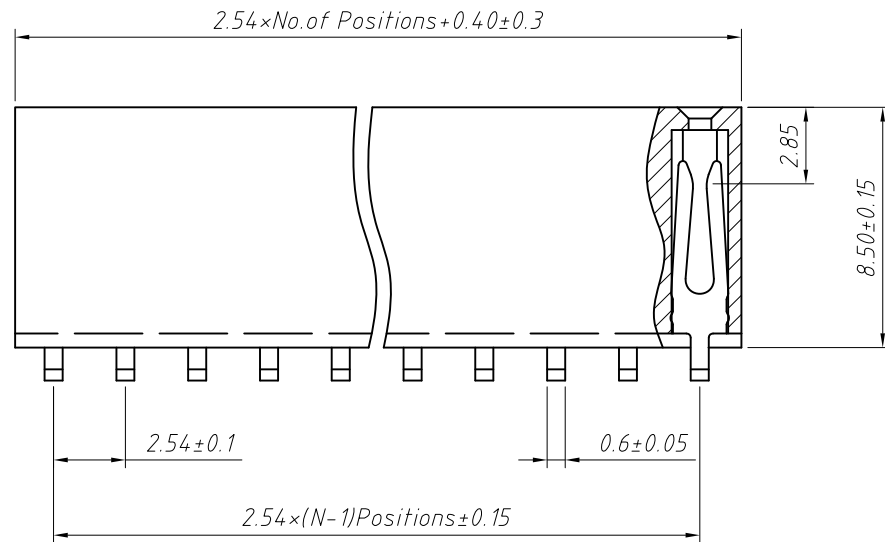
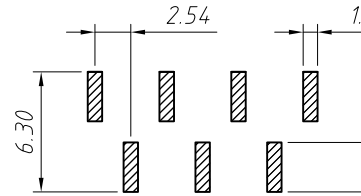
T2 Type



Recommended PCB Hole Layout



T1 Type



Material:
 Standard:PA6T
 Contact:Brass
 Contact plating: Au or Sn over 50u" Ni
 Nickel Insulator: Polyester, UL 94V-0

Electrical Characteristics:
 Rated Current: 3.0AMP
 Contact Resistance: 20mΩ Max
 Withstand Voltage: 1000V AC/DC
 Insulator Resistance: 1000MΩ Min

Mechanical
 Operating Temperature: -40°C ~ +105°C
 Max.Processing Temp: 230°C for 30-60 seconds (260°C for 10 seconds)

Order Information:

L-KLS1-208-1-XX-T1-L1xL2-N-B-R

L: RoHS
 Pin Header Series
 208:2.54mm
 Per Row: Single layer
 Pin: No. of Pins (1x40)
 SMT Pin: T1 Type, T2 Type
 Size: L1xL2
 Post: W=With Post N=W/O Post
 Material: A=PBT B=PA6T C=LCP
 Packing:
 A=Tray T=Tube M=Reel+Mylar
 P=Tube+Cap R=Reel+Cap

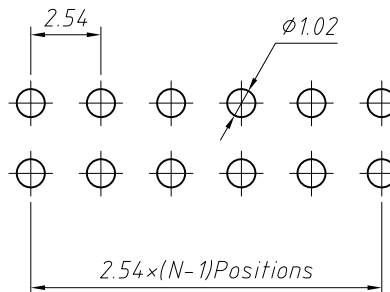
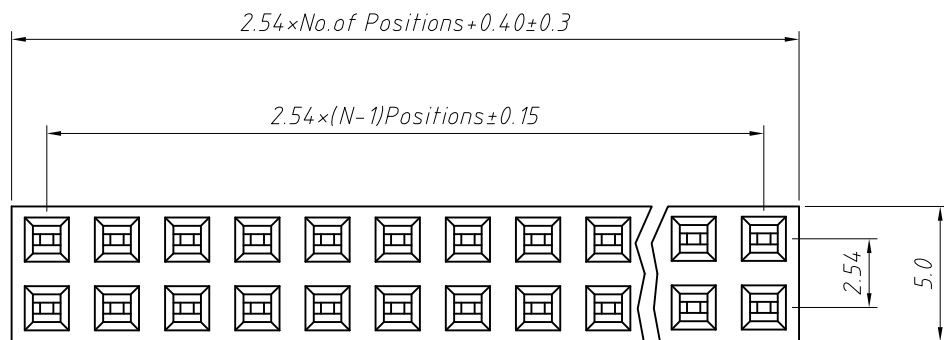
Dimension antitheses list (mm)			
ITEM	L1	L2	Plastic Height
Standard	9.70	5.30	8.50
Nonstandard	---	---	---

ANGLE TOLERANCE	PROJECTION	Description:	2.54x8.5mm Female Header
±3°			Single layer, SMT Pin, 1xN Pin
GENERAL TOLERANCE	UNITS	mm	KLS P/N:
x.x ±0.30	SHEET SIZE	A4	L-KLS1-208-1-XX-T1-L1xL2-N-B-R
x.xx ±0.20	Draw:	Daniel	2018-07-10
x.xxx ±0.10	Check:	Daniel	2018-07-10



NingBo KLS ELECTRONIC CO.,L TD.

1 RoHS Compliance

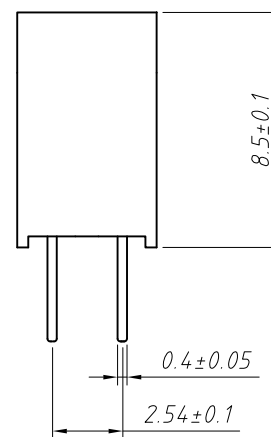
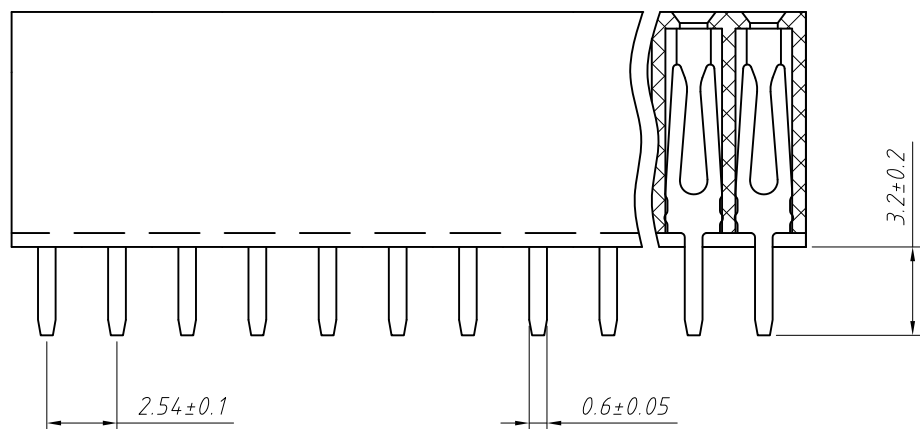


Recommended PCB Hole Layout

Material:
 Standard: PBT/PA6T
 Contact: Brass
 Contact plating: Gold Flash all over
 Nickel Insulator: Polyester, UL 94 V-0

Electrical Characteristics:
 Rated Current: 3.0AMP
 Contact Resistance: 20mΩ Max
 Withstand Voltage: 1000V AC/DC
 Insulator Resistance: 1000MΩ Min

Mechanical
 Operating Temperature: -40°C ~ +105°C
 Max. Processing Temp: 180°C for 30-60 seconds (200°C for 10 seconds)



Order Information:

L-KLS1-208-2-XX-S-B

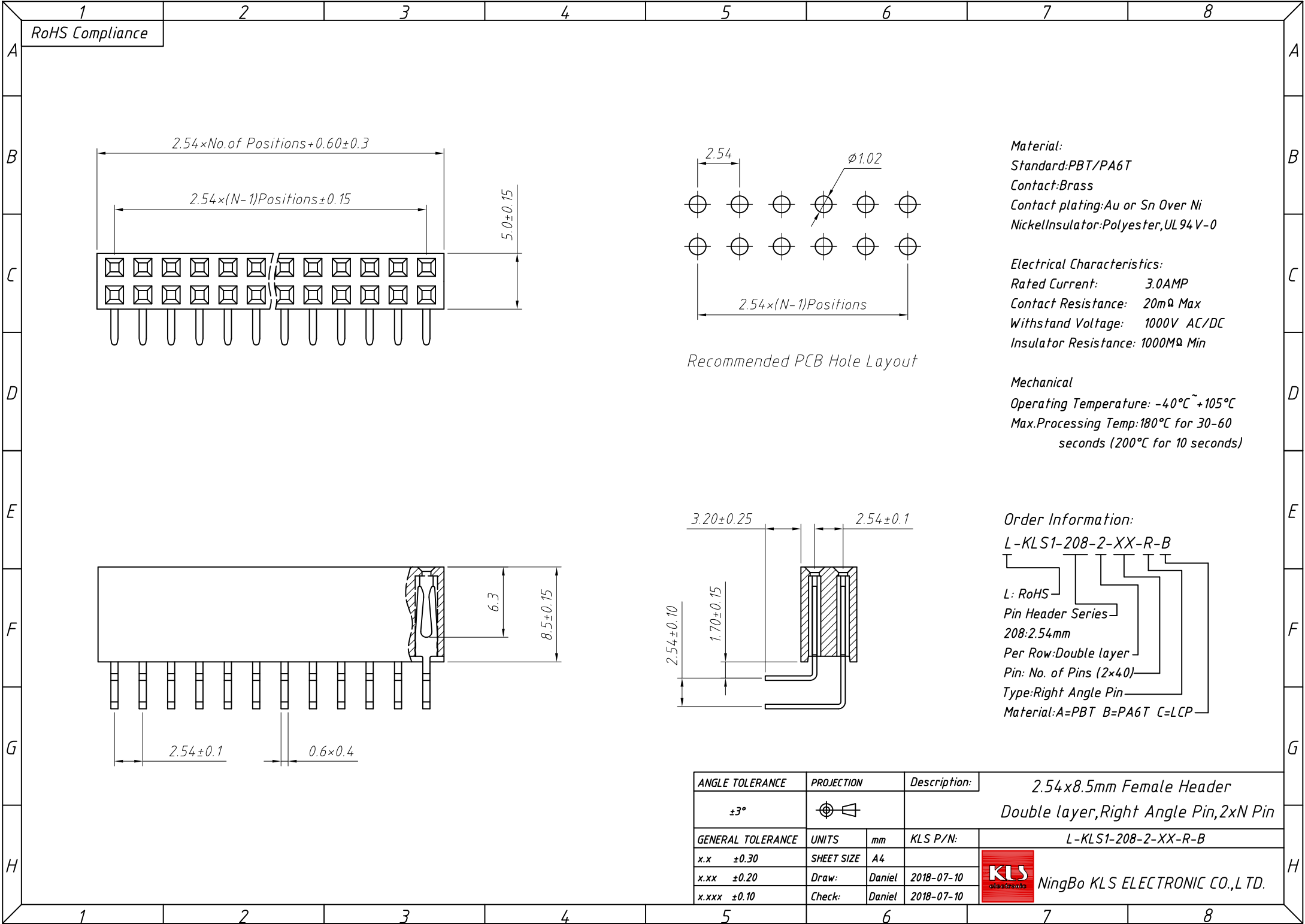
L: RoHS
 Pin Header Series
 208: 2.54mm
 Per Row: Double layer
 Pin: No. of Pins (2x40)
 Type: Straight Pin
 Material: A=PBT B=PA6T C=LCP

ANGLE TOLERANCE	PROJECTION	Description:	2.54x8.5mm Female Header
±3°			Double layer, Straight Pin, 2xN Pin
GENERAL TOLERANCE	UNITS	mm	KLS P/N:
x.x ±0.30	SHEET SIZE	A4	L-KLS1-208-2-XX-S-B
x.xx ±0.20	Draw:	Daniel	2018-07-10
x.xxx ±0.10	Check:	Daniel	2018-07-10



NingBo KLS ELECTRONIC CO.,L TD.

1
RoHS Compliance



Material:
 Standard: PBT/PA6T
 Contact: Brass
 Contact plating: Au or Sn Over Ni
 Nickel Insulator: Polyester, UL 94V-0

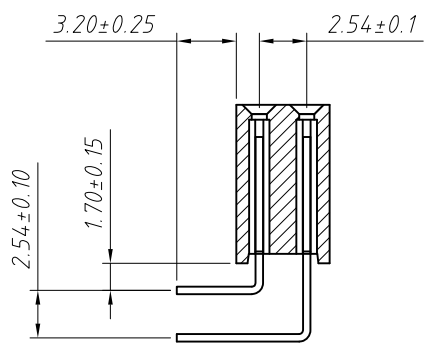
Electrical Characteristics:
 Rated Current: 3.0AMP
 Contact Resistance: 20mΩ Max
 Withstand Voltage: 1000V AC/DC
 Insulator Resistance: 1000MΩ Min

Mechanical
 Operating Temperature: $-40^{\circ}\text{C} \sim +105^{\circ}\text{C}$
 Max. Processing Temp: 180°C for 30-60 seconds (200°C for 10 seconds)

Recommended PCB Hole Layout

Order Information:
 L-KLS1-208-2-XX-R-B

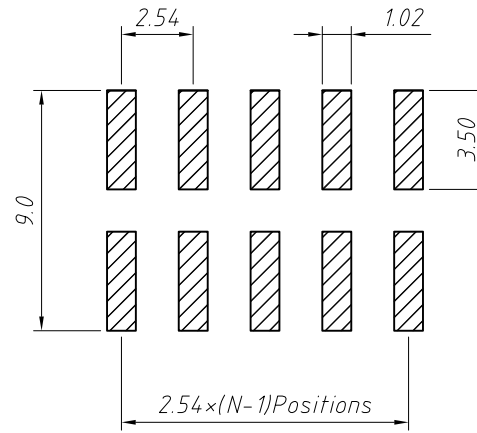
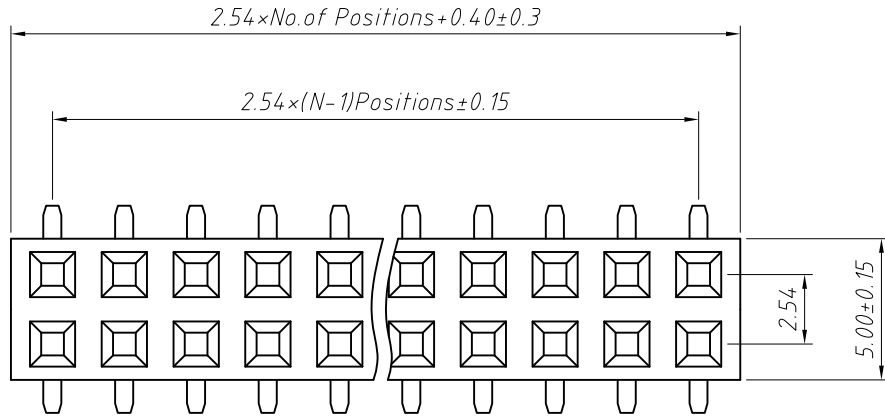
L: RoHS
 Pin Header Series
 208: 2.54mm
 Per Row: Double layer
 Pin: No. of Pins (2x40)
 Type: Right Angle Pin
 Material: A=PBT B=PA6T C=LCP



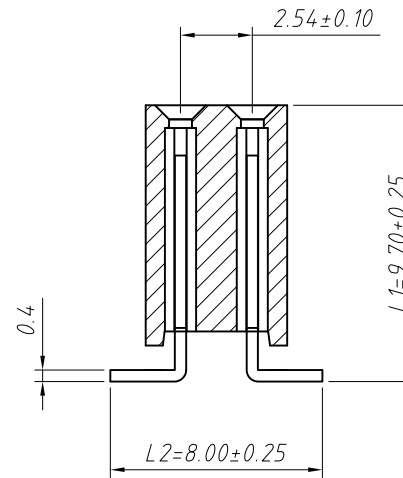
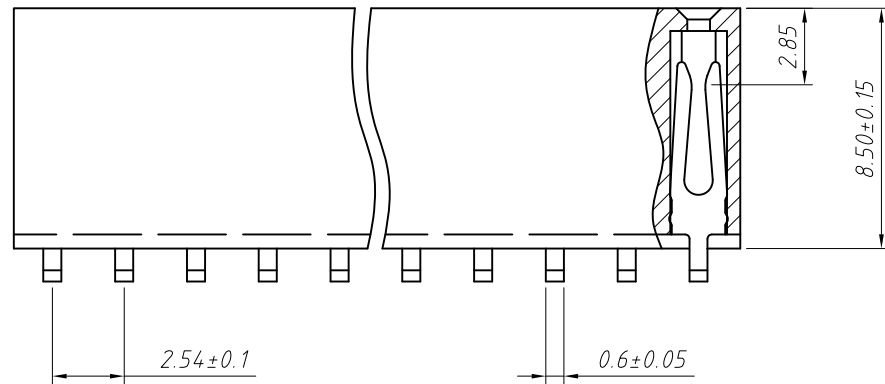
ANGLE TOLERANCE	PROJECTION	Description:	2.54x8.5mm Female Header	
$\pm 3^{\circ}$			Double layer, Right Angle Pin, 2xN Pin	
GENERAL TOLERANCE	UNITS	mm	KLS P/N:	L-KLS1-208-2-XX-R-B
x.x ± 0.30	SHEET SIZE	A4		
x.xx ± 0.20	Draw:	Daniel	2018-07-10	
x.xxx ± 0.10	Check:	Daniel	2018-07-10	

NingBo KLS ELECTRONIC CO.,L TD.

1 RoHS Compliance



Recommended PCB Hole Layout



Material:
 Standard: PA6T
 Contact: Brass
 Contact plating: Au or Sn over 50u" Ni
 Nickel Insulator: Polyester, UL94V-0

Electrical Characteristics:
 Rated Current: 3.0AMP
 Contact Resistance: 20mΩ Max
 Withstand Voltage: 1000V AC/DC
 Insulator Resistance: 1000MΩ Min

Mechanical
 Operating Temperature: -40°C ~ +105°C
 Max. Processing Temp: 230°C for 30-60 seconds (260°C for 10 seconds)

Order Information:
 L-KLS1-208-2-XX-T-L1xL2-B-R

L: RoHS
 Pin Header Series
 208: 2.54mm
 Per Row: Double layer
 Pin: No. of Pins (2x40)
 SMT Pin:
 T=Without Post, T3=With Post
 Size: L1xL2
 Material: A=PBT B=PA6T C=LCP
 Packing:
 A=Tray T=Tube M=Reel+Mylar
 P=Tube+Cap R=Reel+Cap

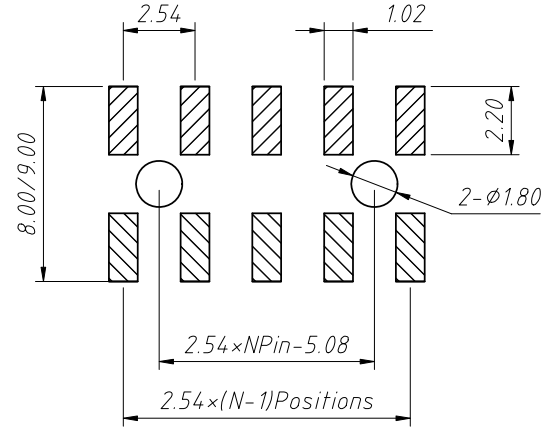
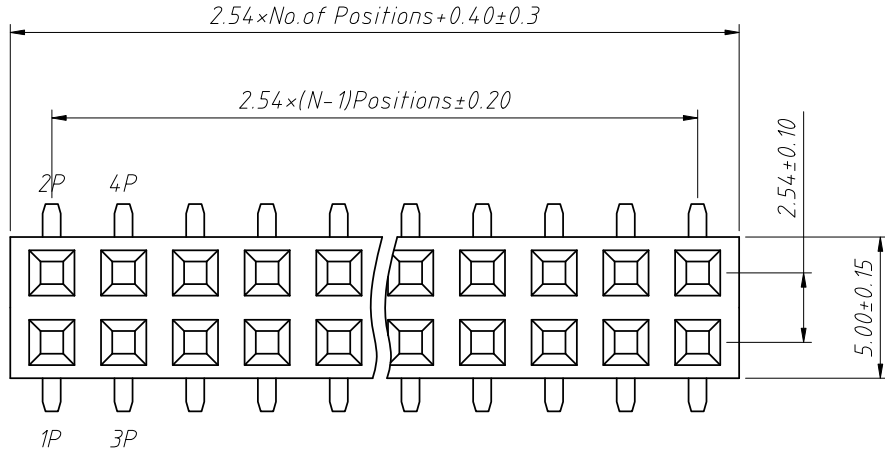
Dimension antitheses list (mm)			
ITEM	L1	L2	Plastic Height
Standard	9.70	8.00	8.50
Nonstandard	---	---	---

ANGLE TOLERANCE	PROJECTION	Description:
±3°		2.54x8.5mm Female Header Double layer, SMT Pin, 2xN Pin
GENERAL TOLERANCE	UNITS	mm
x.x ±0.30	SHEET SIZE	A4
x.xx ±0.20	Draw:	Daniel 2018-07-10
x.xxx ±0.10	Check:	Daniel 2018-07-10

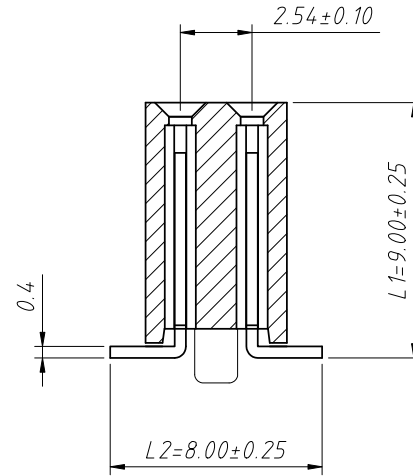
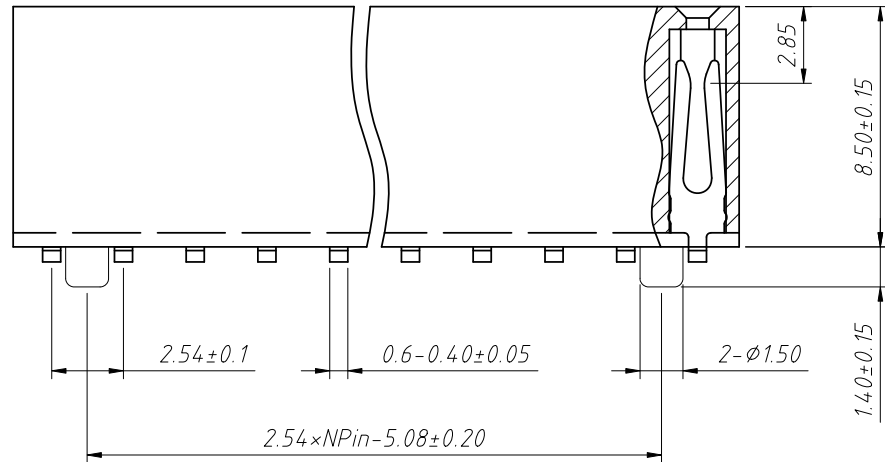
L-KLS1-208-2-XX-T-L1xL2-B-R

NingBo KLS ELECTRONIC CO.,L TD.

RoHS Compliance



Recommended PCB Hole Layout



Material:
 Standard: PA6T
 Contact: Copper Alloy
 Contact plating: Au or Sn over Ni
 Nickel Insulator: Polyester, UL94V-0

Electrical Characteristics:
 Rated Current: 3.0AMP
 Contact Resistance: 20m Ω Max
 Withstand Voltage: 1000V AC/DC
 Insulator Resistance: 1000M Ω Min

Mechanical
 Operating Temperature: $-40^{\circ}\text{C} \sim +105^{\circ}\text{C}$
 Max. Processing Temp: $260^{\circ}\text{C} \pm 5^{\circ}\text{C}$ 5s

Order Information:

L-KLS1-208-2-XX-T3-L1xL2-B-R
 L: RoHS
 Pin Header Series
 208: 2.54mm
 Per Row: Double layer
 Pin: No. of Pins (2x40)
 SMT Pin:
 T: Without Post, T3: With Post
 Size: L1xL2
 Material: A=PBT B=PA6T C=LCP
 Packing:
 A=Tray T=Tube M=Reel+Mylar
 P=Tube+Cap R=Reel+Cap

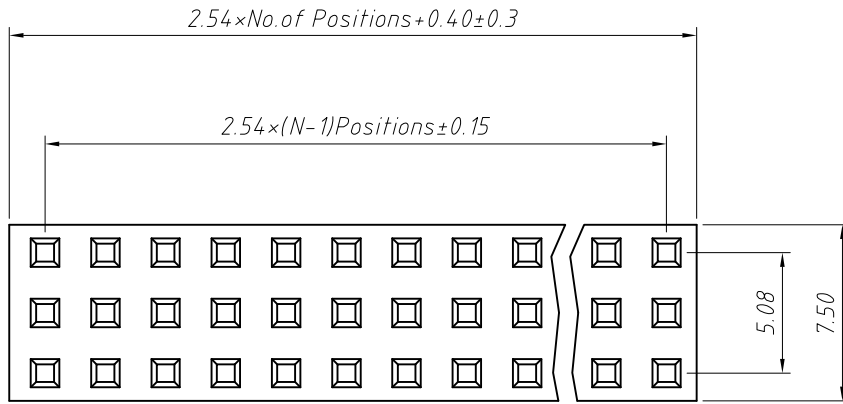
Dimension antitheses list (mm)			
ITEM	L1	L2	Plastic Height
Standard	9.00	8.00	8.50
Nonstandard	---	7.00	8.50

ANGLE TOLERANCE	PROJECTION	Description:
$\pm 3^{\circ}$		2.54x8.5mm Female Header Double layer, SMT Pin, 2xN Pin
GENERAL TOLERANCE	UNITS	mm
x.x ± 0.30	SHEET SIZE	A4
x.xx ± 0.20	Draw:	Daniel 2023-04-18
x.xxx ± 0.10	Check:	Daniel 2023-04-18

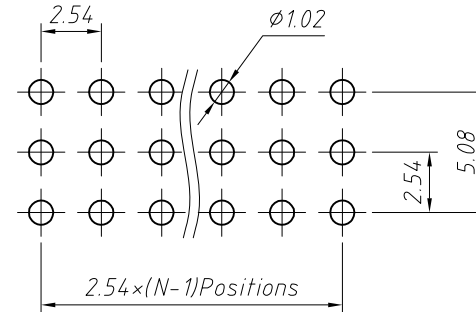
KLS NingBo KLS ELECTRONIC CO.,LTD.

1 RoHS Compliance

A
B
C
D
E
F
G
H



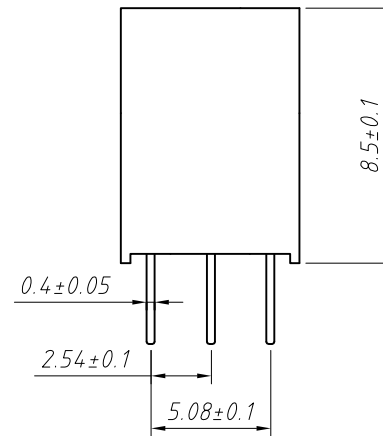
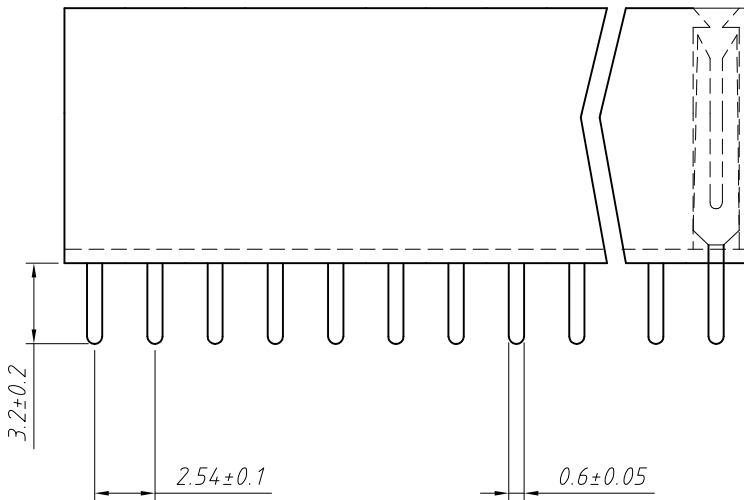
Recommended P.C.Board Layout
PCB TOLERANCE ± 0.05 (TOP VIEW)



Material:
Standard: PBT/PA6T
Contact: Phosphor bronze
Plating: 1u" Min Gold Plating Over All 30u"
Min Nickel Underplating Over All
Insulator: Polyester, UL 94V-0

Electrical Characteristics:
Rated Current: 3.0AMP
Contact Resistance: 20m Ω Max
Withstand Voltage: 1000V AC/DC
Insulator Resistance: 1000M Ω Min

Mechanical
Operating Temperature: $-40^{\circ}\text{C} \sim +105^{\circ}\text{C}$



Order Information:

L-KLS1-208-3-XX-S-A

L: RoHS
Pin Header Series
208: 2.54mm
Per Row: Three layer
Pin: No. of Pins (3x40)
Type: Straight Pin
Material: A=PBT B=PA6T C=LCP

ANGLE TOLERANCE	PROJECTION	Description:	2.54x8.5mm Female Header Three layer, Straight Pin, 3xN Pin
$\pm 3^{\circ}$			
GENERAL TOLERANCE	UNITS	mm	KLS P/N:
x.x ± 0.30	SHEET SIZE	A4	L-KLS1-208-3-XX-S-A
x.xx ± 0.20	Draw:	Daniel	2018-07-10
x.xxx ± 0.10	Check:	Daniel	2018-07-10



NingBo KLS ELECTRONIC CO., L TD.

1 2 3 4 5 6 7 8

1 RoHS Compliance

A

B

C

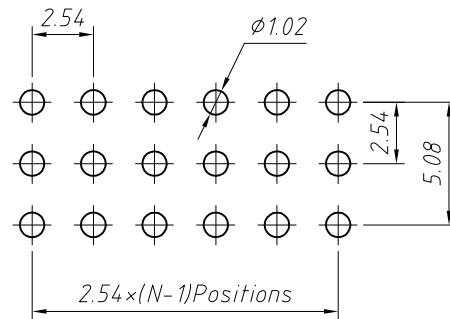
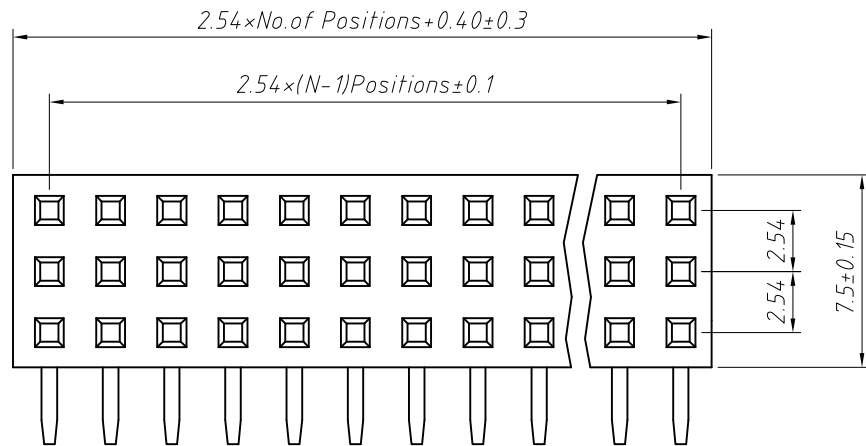
D

E

F

G

H

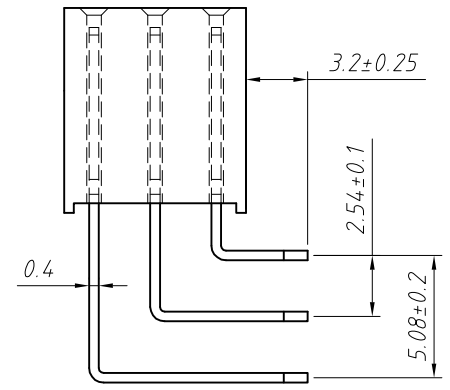
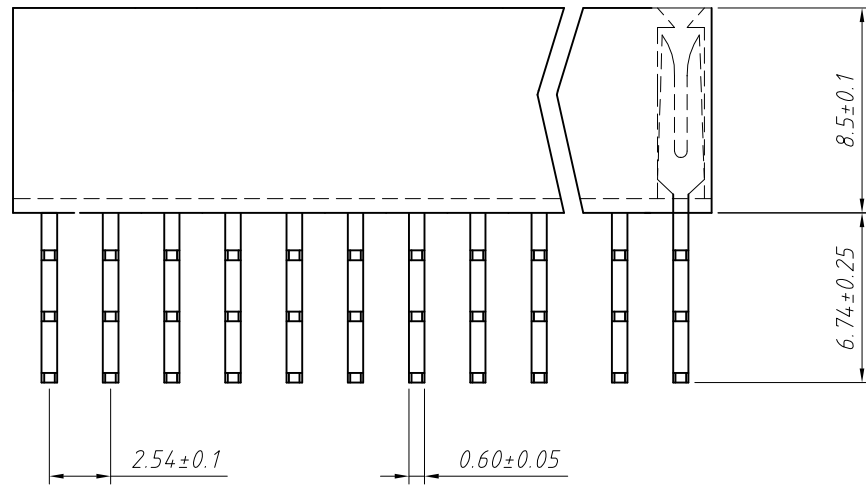


Recommended P.C. Board Layout
PCB TOLERANCE ± 0.05 (TOP VIEW)

Material:
Standard: PBT/PA6T
Contact: Brass
Plating: Au or Sn Over 50u" Ni
Insulator: Polyester, UL 94V-0

Electrical Characteristics:
Rated Current: 3.0 AMP
Contact Resistance: 20mΩ Max
Withstand Voltage: 1000V AC/DC
Insulator Resistance: 1000MΩ Min

Mechanical
Operating Temperature: -40°C ~ +105°C
Max. Processing Temp: 180°C for 30-60 seconds (200°C for 10 seconds)



Order Information:
L-KLS1-208-3-XX-R-A

L: RoHS
Pin Header Series
208: 2.54mm
Per Row: Three layer
Pin: No. of Pins (3x40)
Type: Right Angle Pin
Material: A=PBT B=PA6T C=LCP

ANGLE TOLERANCE	PROJECTION	Description:	2.54x8.5mm Female Header
±3°			Three layer, Right Angle Pin, 3xN Pin
GENERAL TOLERANCE	UNITS	mm	KLS P/N:
x.x ±0.30	SHEET SIZE	A4	L-KLS1-208-3-XX-R-A
x.xx ±0.20	Draw:	Daniel	2018-07-10
x.xxx ±0.10	Check:	Daniel	2018-07-10



A

B

C

D

E

F

G

H