



### 3.0mm Round Type LED Lamps

**PART NO:** FYL-3014 UBC

**REV NO:** 1.0

**PAGE:** 1/2

#### Features:

Ultra Blue brightness.

Choice of various viewing angles.

Lens color Water clear.

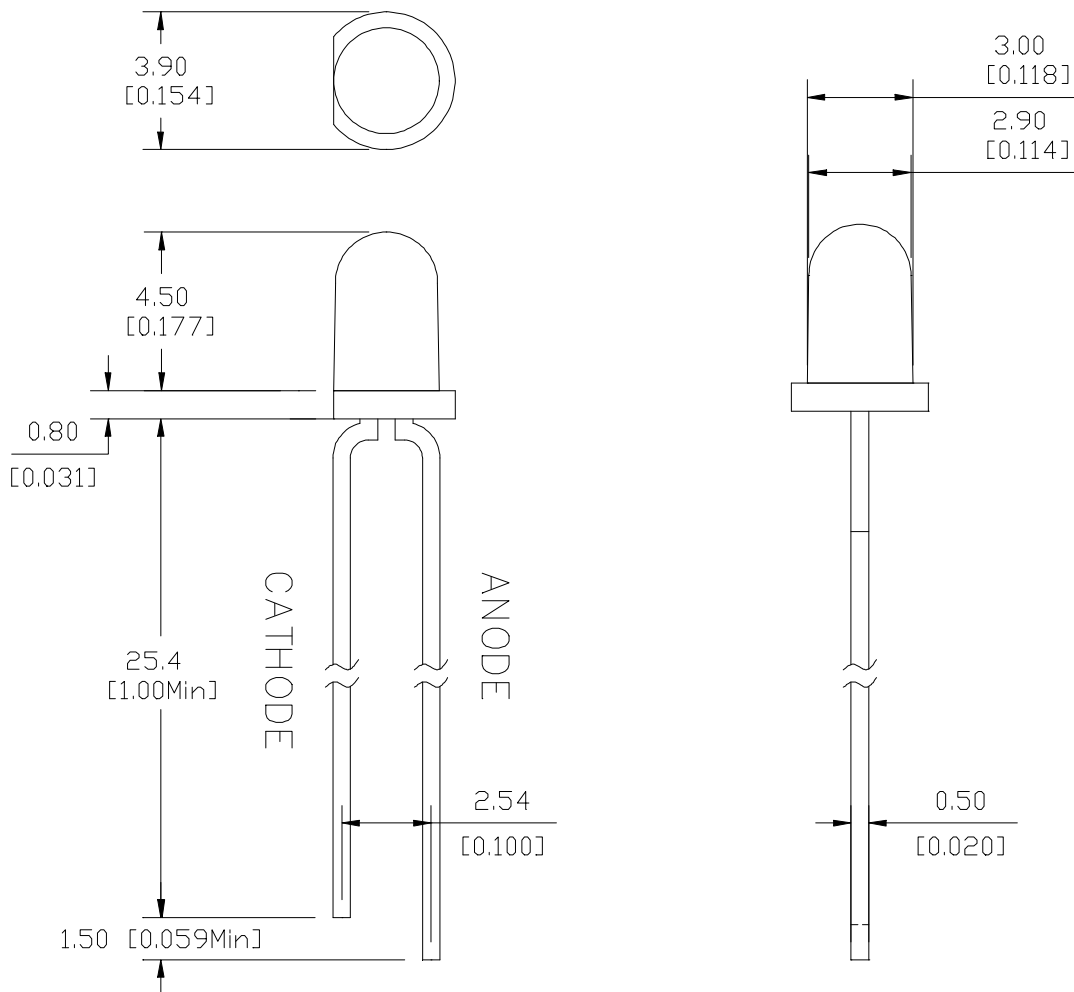
Popular T-1 diameter package.

IC compatible /Low current capability.

#### Descriptions:

The LED lamps are available with different colors , intensities , epoxy colors etc.

#### Package Dimensions:



#### NOTES:

1. All dimension are in millimeters(inch).
2. An epoxy meniscus may extend about 1.5mm down to the lead.
3. Tolerances unless dimension  $\pm 0.25$ mm.



3.0mm Round Type LED Lamps

PART NO: FYL-3014 UBC

REV NO: 1.0

PAGE: 2/2

Absolute Maximum Ratings at Ta=25

Parameter	Symbol	Rating	Unit
Forward Current	I <sub>F</sub>	30	mA
Power Dissipation	P <sub>d</sub>	120	mW
Reverse Voltage	V <sub>R</sub>	5	V
Peak Forward Current (Duty 1/10 @1KHZ)	I <sub>PF</sub>	100	mA
Operation Temperature	T <sub>OPR</sub>	-40 to +80	
Storage Temperature	T <sub>STG</sub>	-40 to +85	
Lead Soldering Temperature	T <sub>SOL</sub>	Max.260 ± 5 for 3 sec Max. (1.6mm from the base of the epoxy bulb)	

Electronic Optical Characteristics at Ta=25

Items	Symbol	Min.	Typ.	Max.	Unit	Condition
Forward Voltage	V <sub>F</sub>	-	3.50	4.20	V	I <sub>F</sub> =20mA
Reverse Current	I <sub>R</sub>	-	-	10	uA	V <sub>R</sub> =5V
Peak Wavelength	λ <sub>P</sub>	-	470	-	nm	I <sub>F</sub> =20mA
Spectrum Line Half width		-	30	-	nm	I <sub>F</sub> =20mA
Luminous Intensity	I <sub>V</sub>	-	5000	-	mcd	I <sub>F</sub> =20mA
Viewing Angle	2 1/2	-	20 °	-	degree	I <sub>F</sub> =20mA

Specifications for Bin grading

(unit: mcd I<sub>F</sub>=20mA)

Bin Code	Min.	Max.	Bin Code	Min.	Max.

Specifications for Voltage

(unit: V I<sub>F</sub>=20mA)

Rank					
Voltage					

Specifications for Dominant Wavelength

(unit: nm I<sub>F</sub>=20mA)

Rank					
Dominant Wavelength					